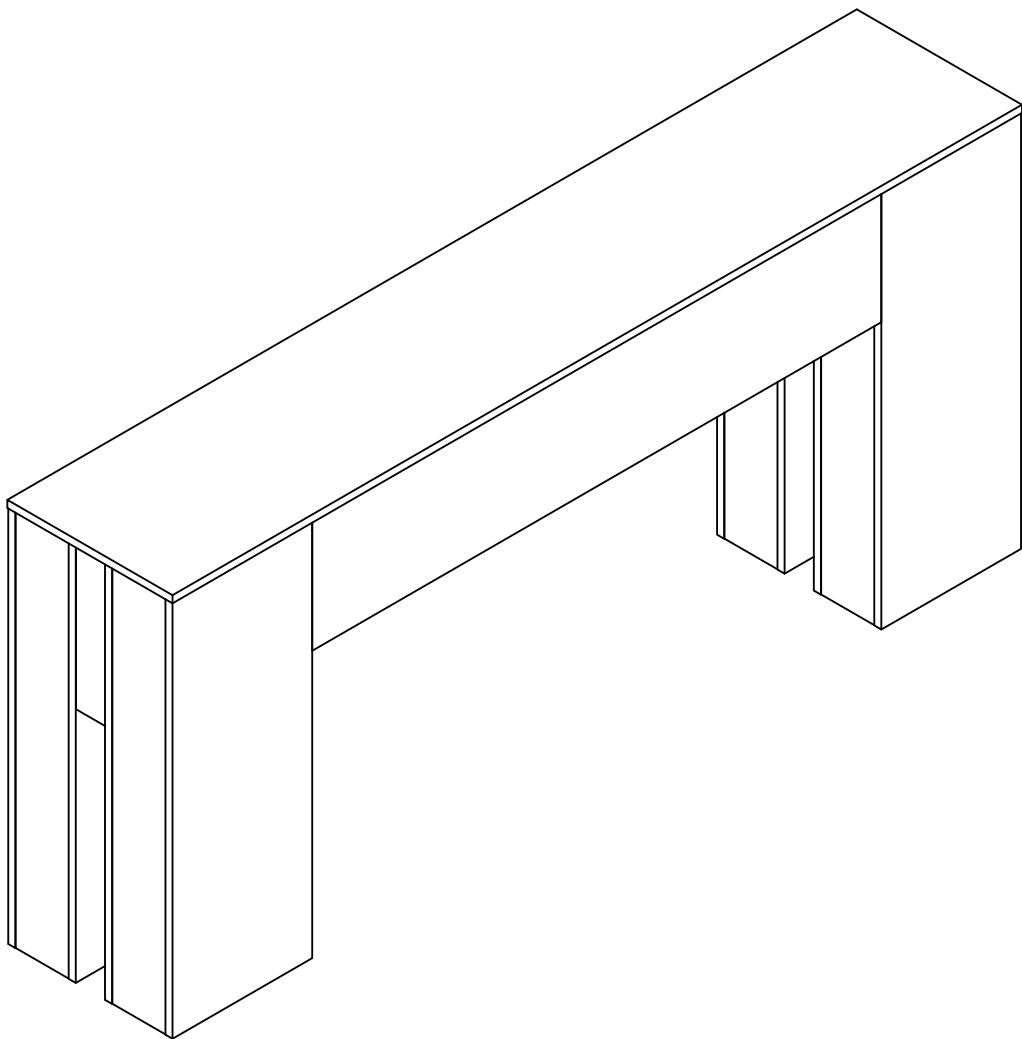


Tribesigns

DESIGNED FOR LIFE

Assembly Instructions



Console Table

Model No.
HOGA-F2200



www.tribesign.com



Contact Us

We're here to help you.




Your satisfaction is our top priority. If you encounter any issues with this product, such as missing or damaged parts, we're here to help. Please retain the original packaging and take photos of the packaging and the product, then contact us as soon as possible.

Warm Tips

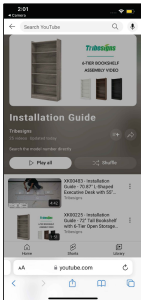
1. Carefully read these instructions and keep them for future reference.
2. Check the parts list and confirm everything's there before starting assembly.
3. When assembling, put all parts on a soft, smooth surface like a carpet to avoid scratches.
4. Don't fully tighten screws until all parts are confirmed in place to avoid misalignment.

How to Get the Assembly Video

Step 1 Scan the QR code.

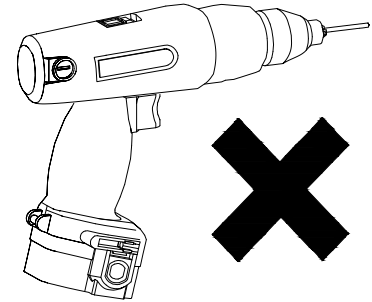
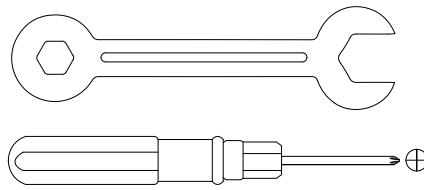
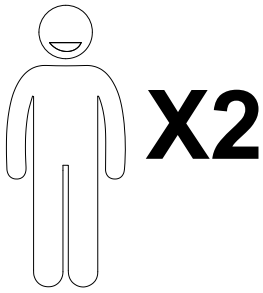


Step 2 Search with the Model No. (on the bottom left corner of the title page)



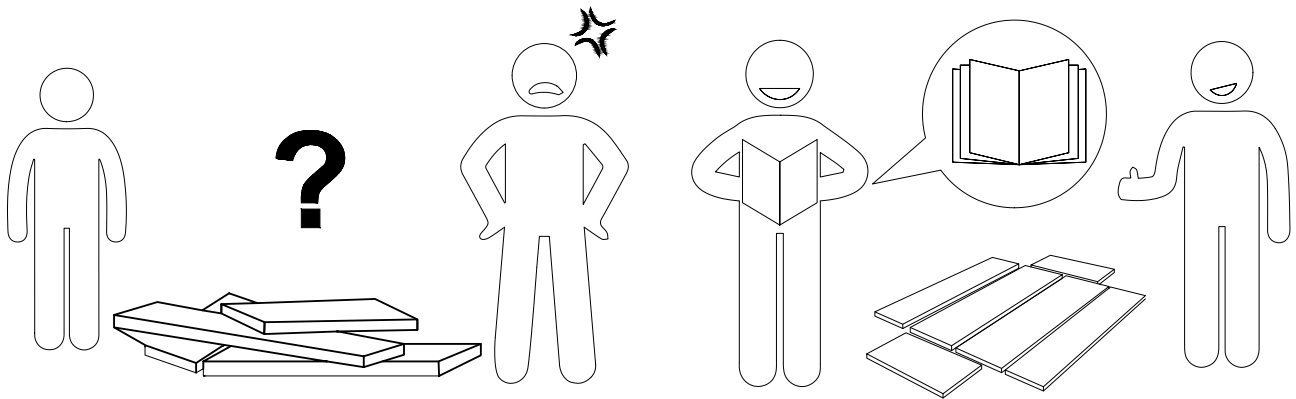
HOGA-F2200

Note: If you can't find the assembly video, please contact us.



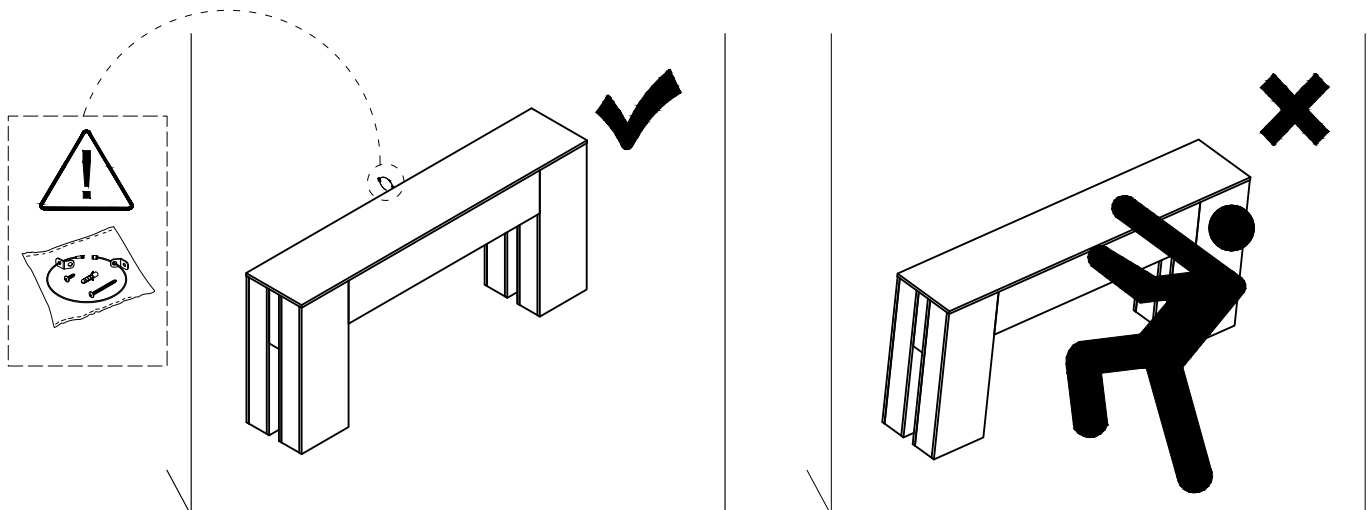
We recommend using hand tools for assembly.

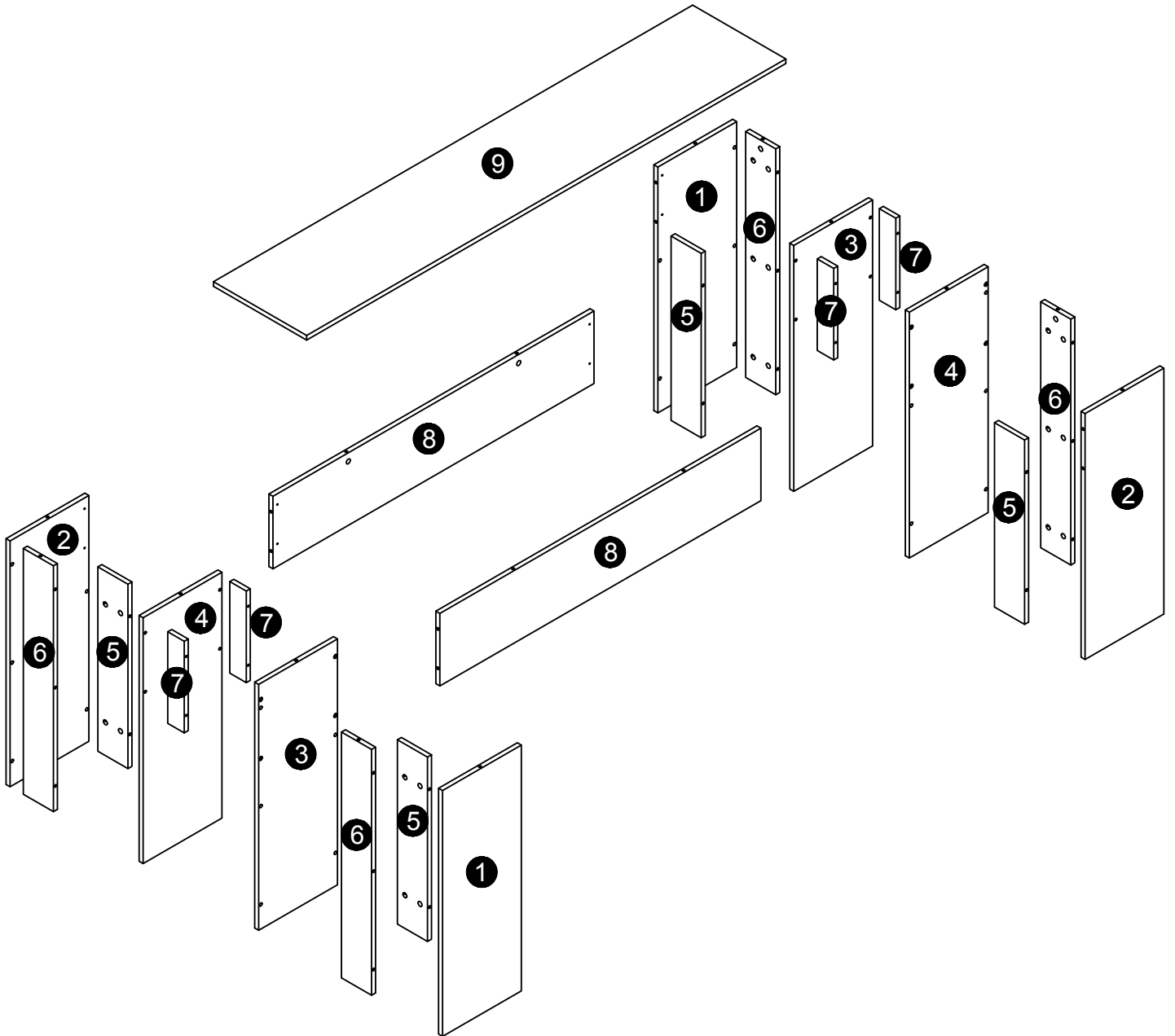
If an electric screwdriver is used, reduce power and torque to avoid damage to the product.



Install the Anti-Tip Straps

Using the anti-tip straps can reduce the risk of tipping over, but can not eliminate it.

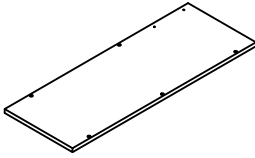
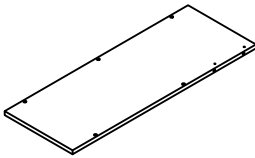
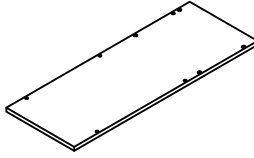
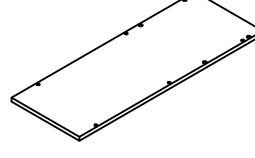
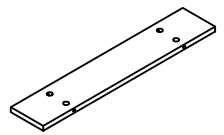
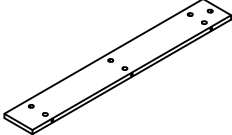
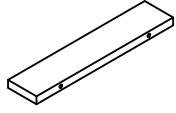
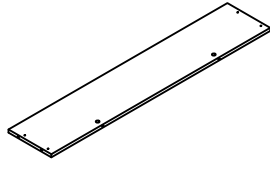
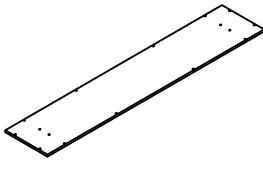




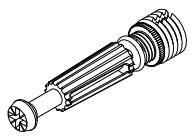
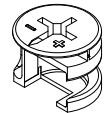
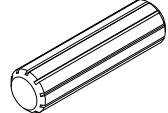
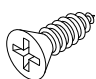
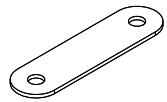
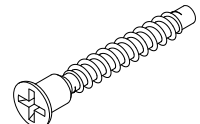
⚠ Caution

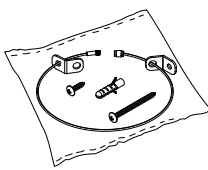
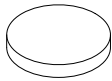

Make sure all parts are included. Most board parts are labeled or stamped on the raw edge. Contact us for a free replacement if you encounter any damaged or missing parts.

Parts List

<p>1</p>  <p>2 pcs</p>	<p>2</p>  <p>2 pcs</p>	<p>3</p>  <p>2 pcs</p>	<p>4</p>  <p>2 pcs</p>	<p>5</p>  <p>4 pcs</p>
<p>6</p>  <p>4 pcs</p>	<p>7</p>  <p>4 pcs</p>	<p>8</p>  <p>2 pcs</p>	<p>9</p>  <p>1 pc</p>	

Hardware List

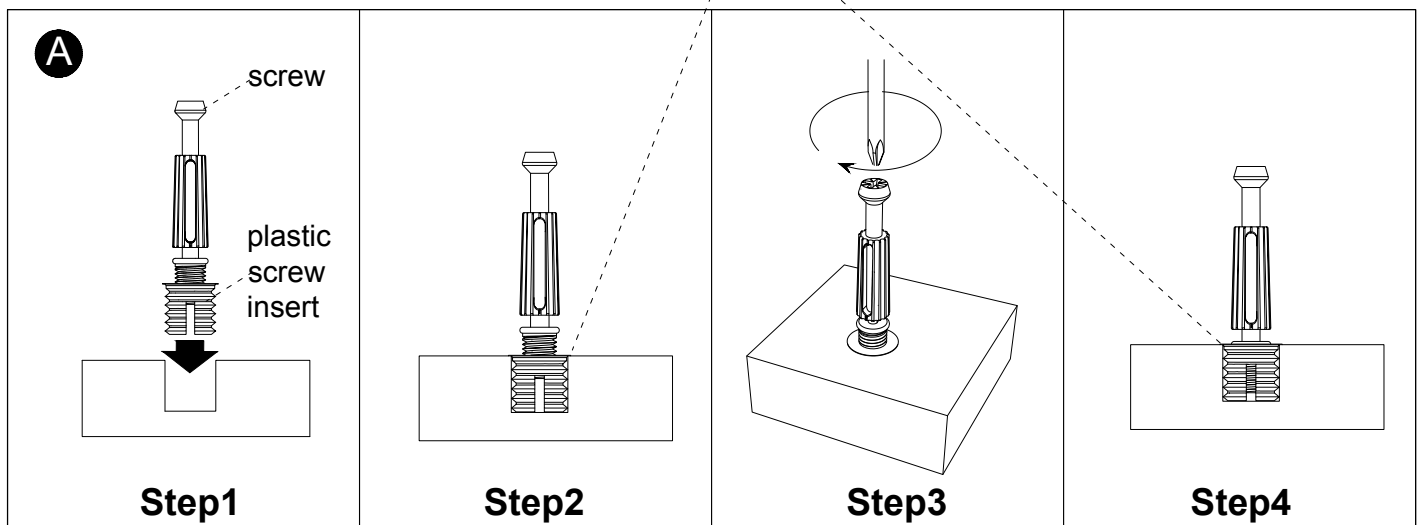
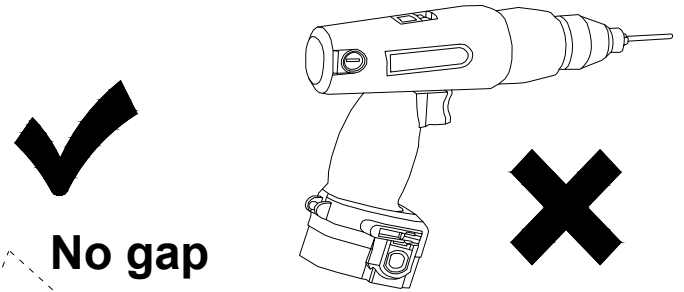
A	B	C	D	E	F
 <p>M6x35mm</p>	 <p>Ø15x12mm</p>	 <p>Ø8x30mm</p>	 <p>Ø3.5x14mm</p>	 <p>45x12mm</p>	 <p>Ø7x38mm</p>
48 pcs	48 pcs	16 pcs	16 pcs	8 pcs	16 pcs

G	H				
					
1 pc	16 pcs	1 pc			

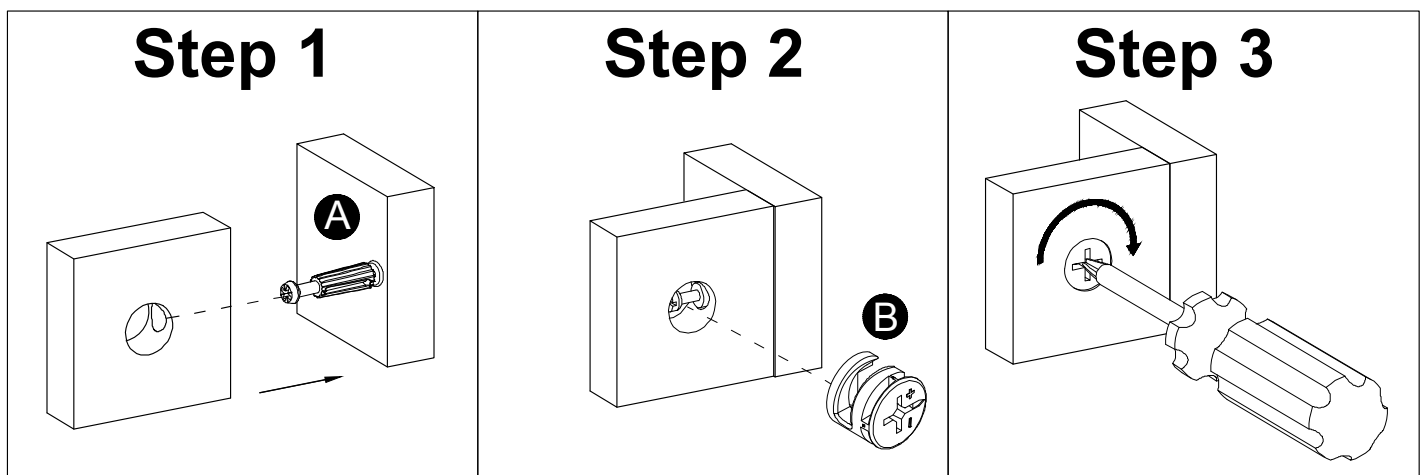


Installation of Cams and Pins

Step 1-2: Align the plastic part with the mounting hole and press it in. If you can't press it in, loosen the screw counter clockwise or completely remove the screw from the plastic part and try again.
Step 3-4: After pressing the plastic part into place, use a screwdriver to tighten the screw clockwise.

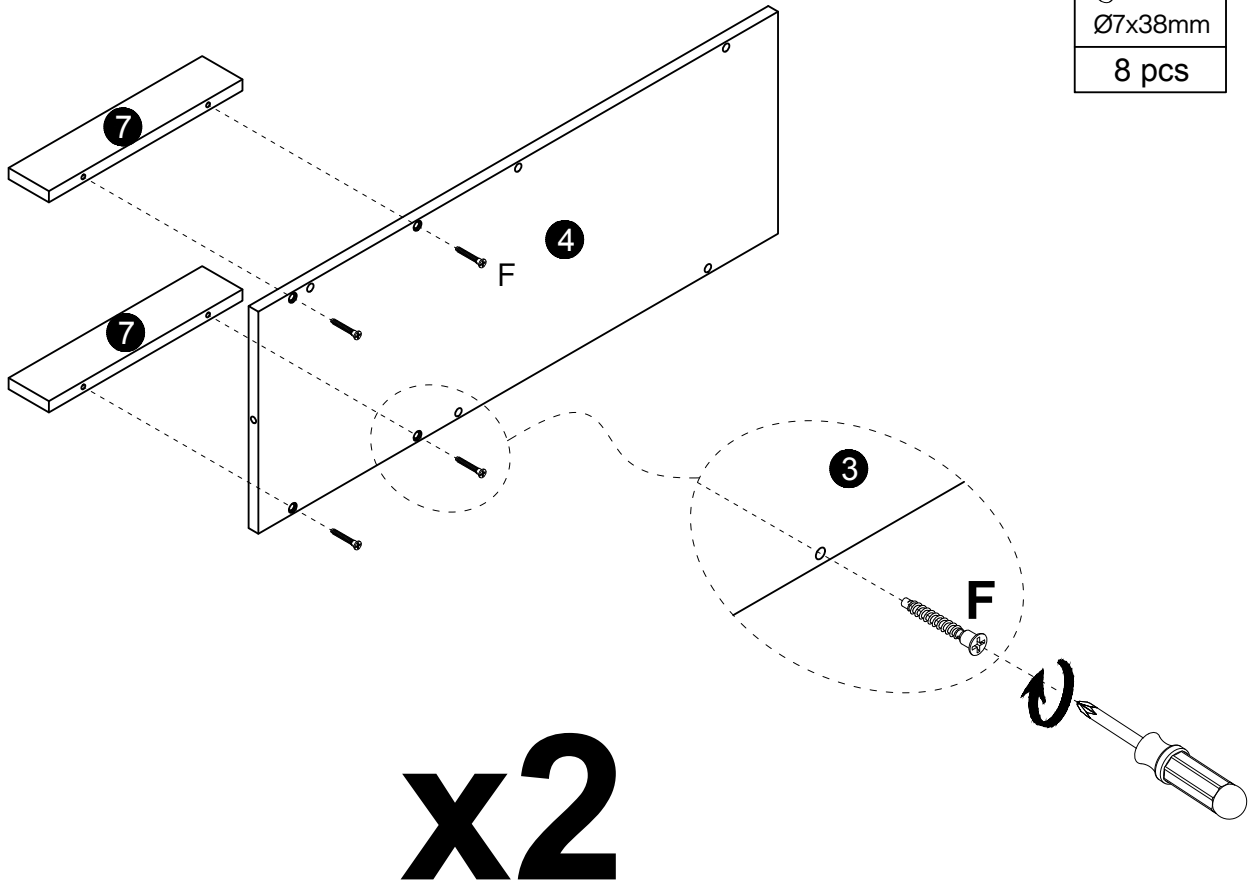


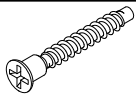
Screw the pin into the hole. Set the cams correctly by aligning the head of the cams with the lock pins. Lock the cam by turning the cam head with a screwdriver until it is tightened. Please do not use an electric screwdriver to assemble the unit.



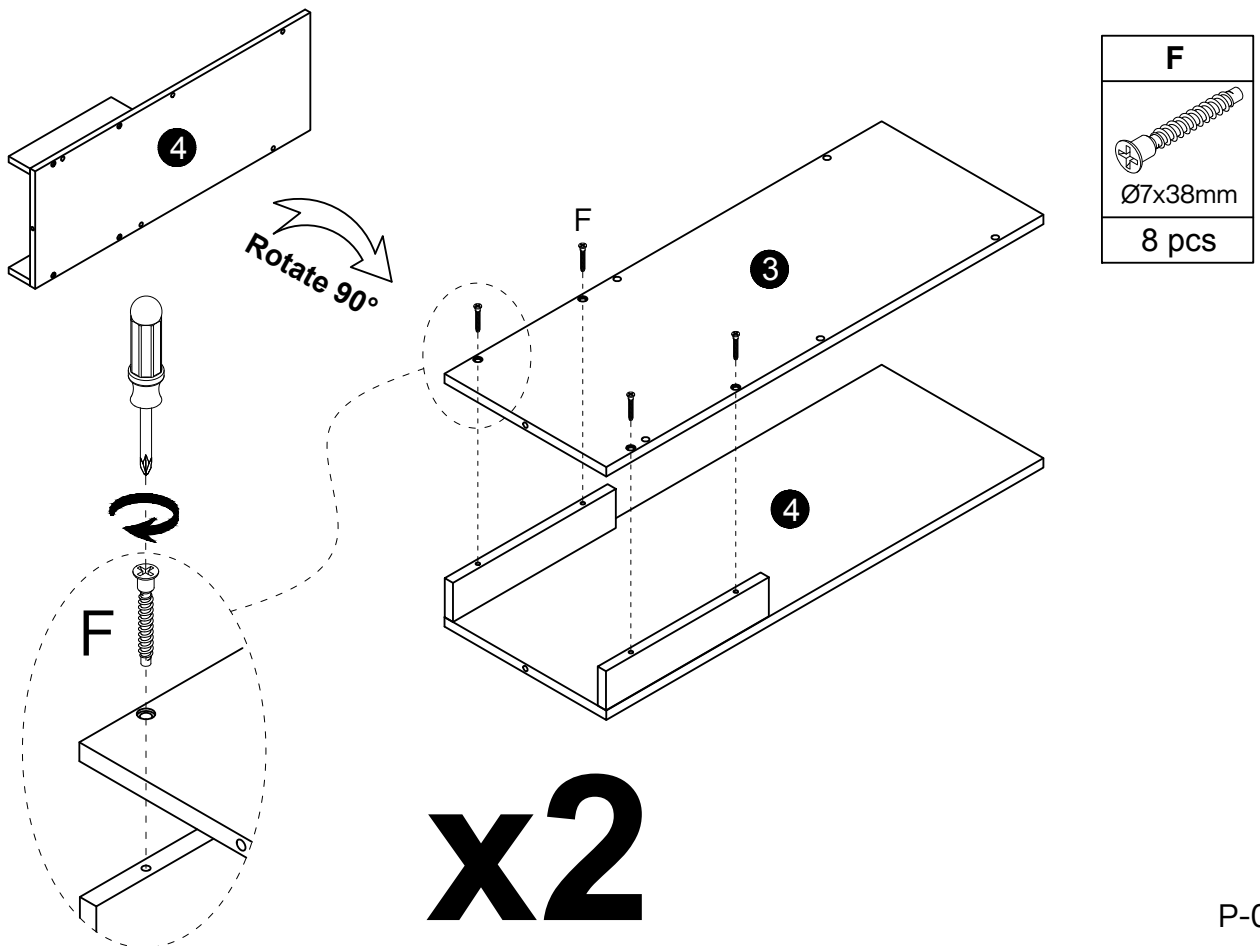


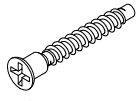
1



F

Ø7x38mm
8 pcs

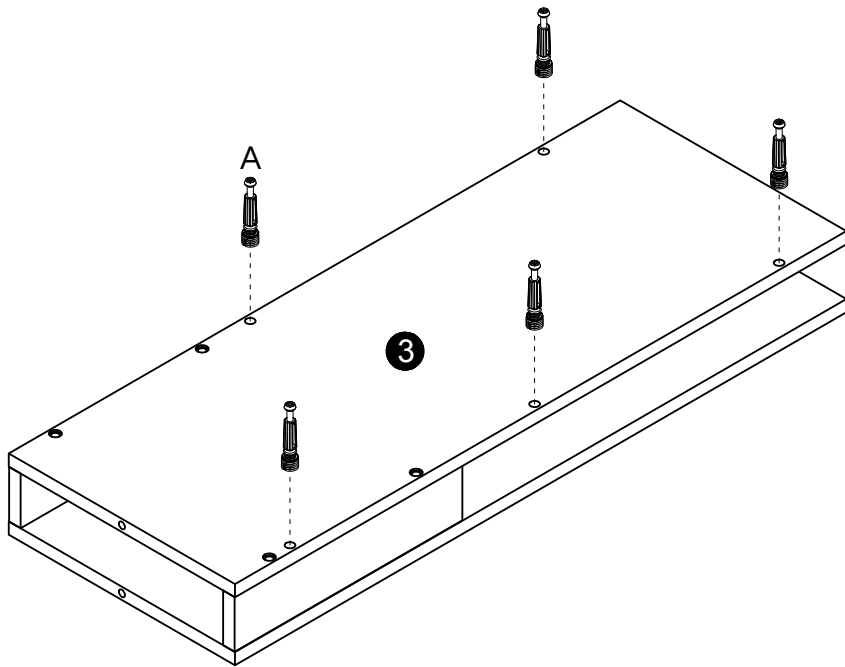
2




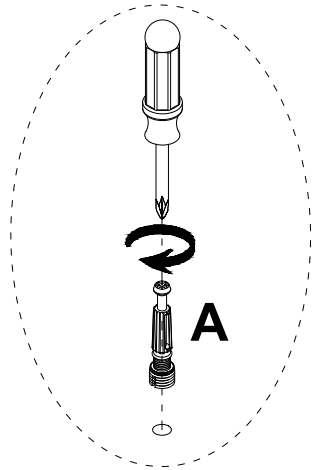
F

Ø7x38mm
8 pcs



3



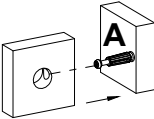
A

M6x35mm
10 pcs



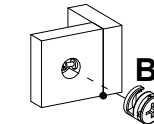
x2

4

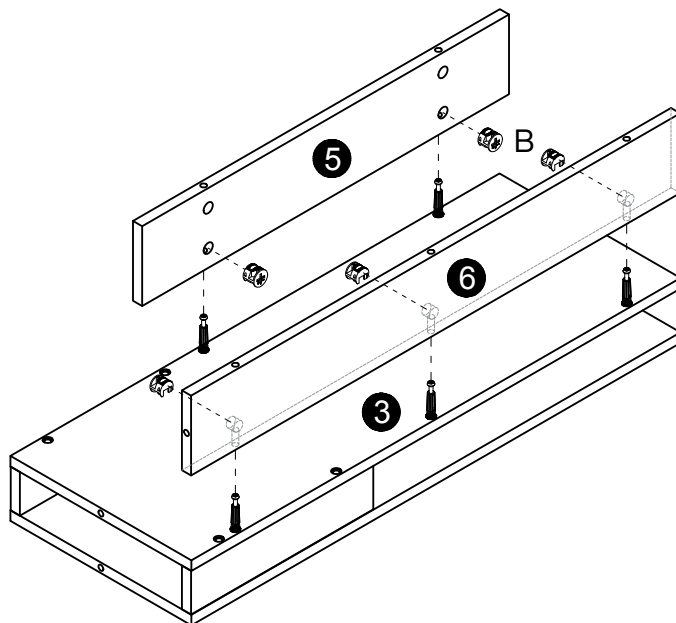
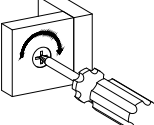
Step 1

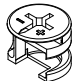


Step 2



Step 3

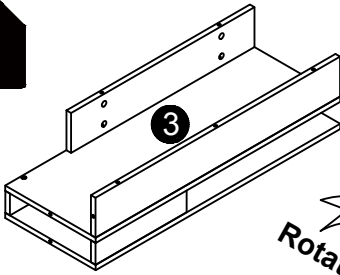


B

Ø15x12mm
10 pcs

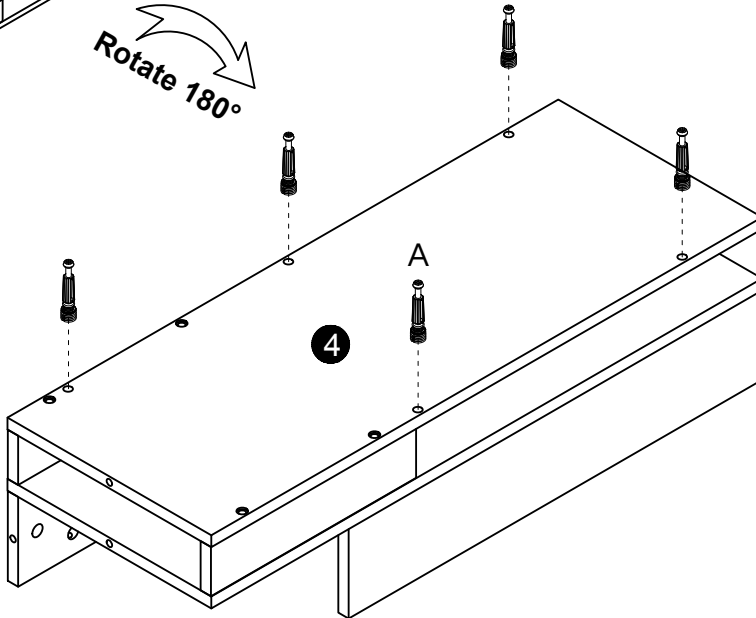
x2




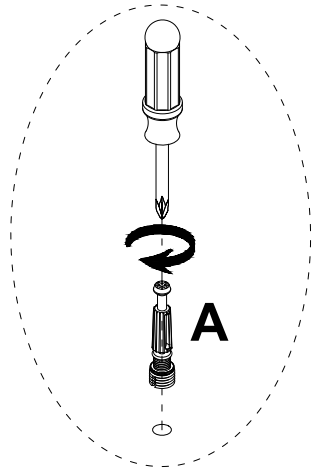
5



Rotate 180°

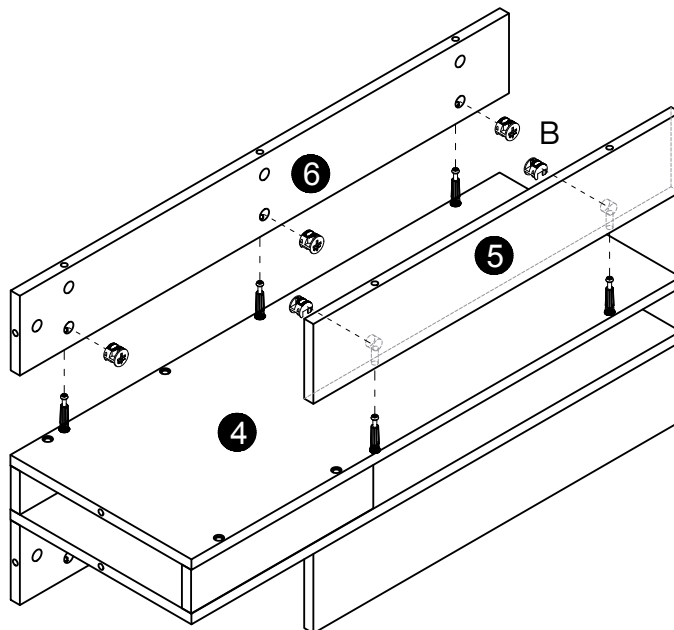
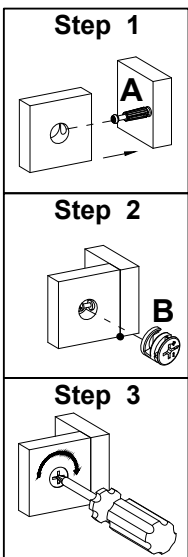



A

M6x35mm
10 pcs



x2

6

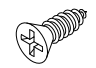
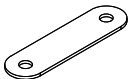


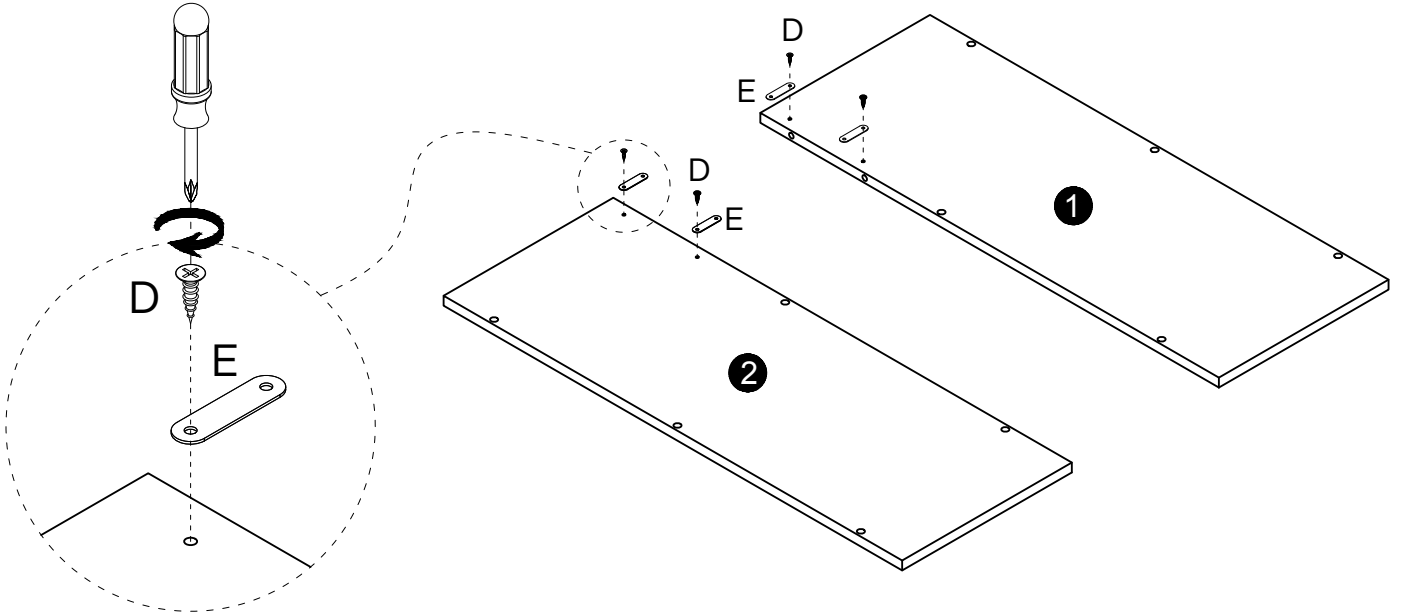
B

Ø15x12mm
10 pcs

x2




7

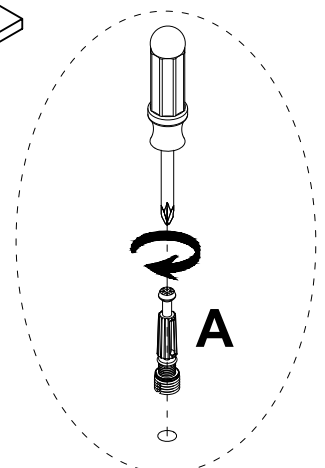
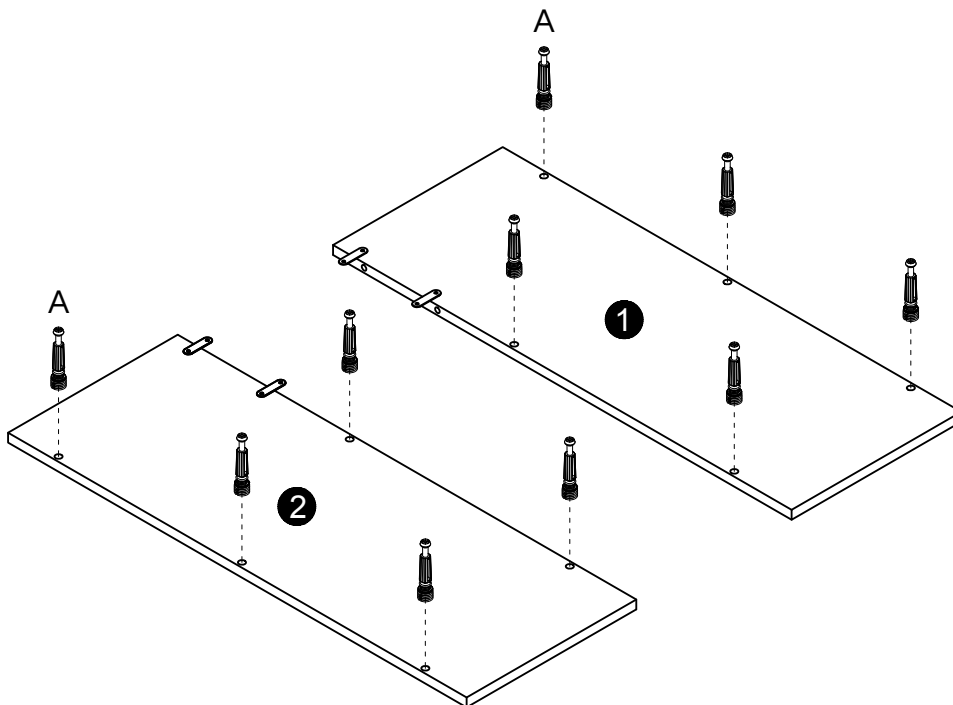
D	E
	
Ø3.5x14mm	45x12mm
8 pcs	8 pcs



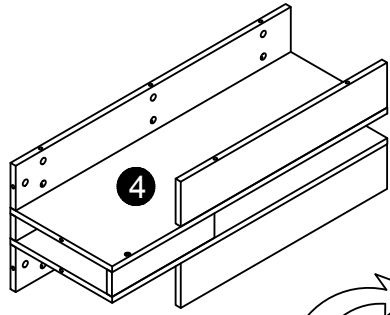
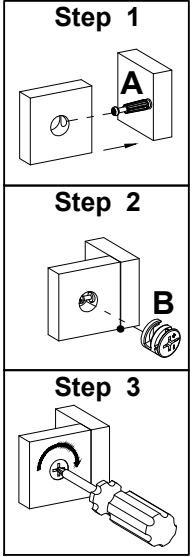
x2

8

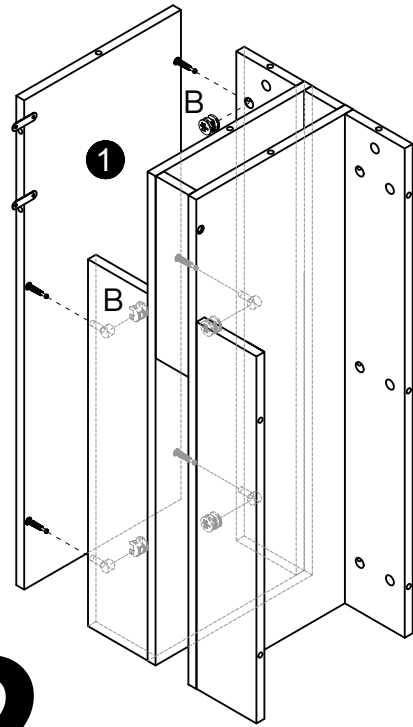
A

M6x35mm
20 pcs



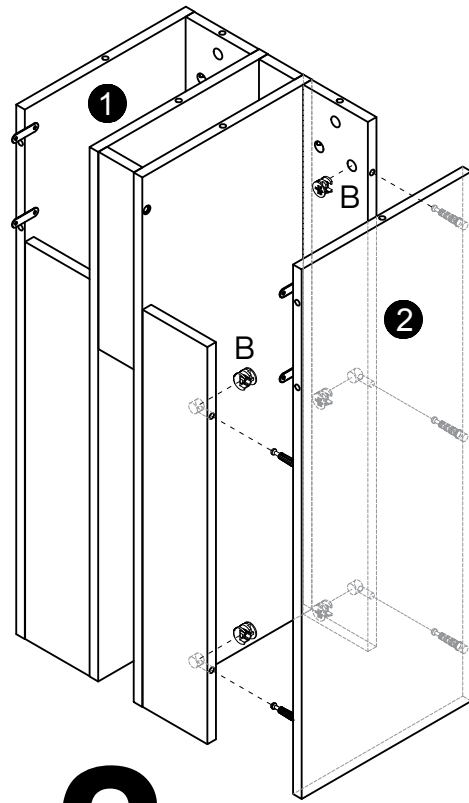
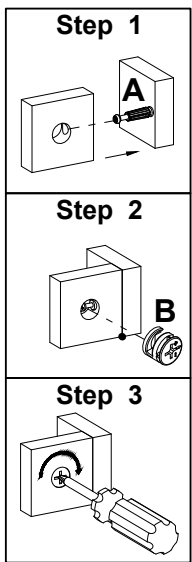
x2

9

Rotate 90°



B
Ø15x12mm
10 pcs

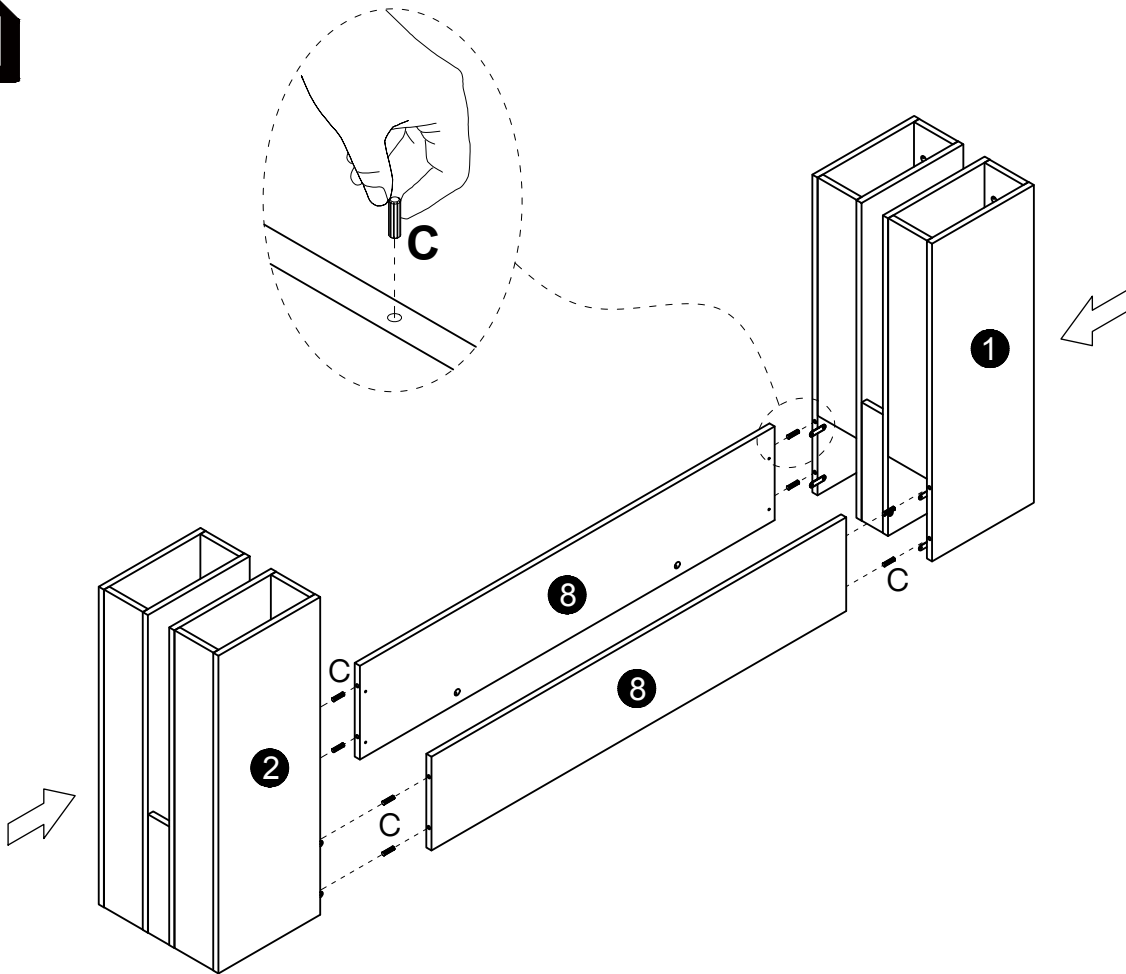
x2**10**

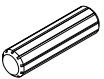
B
Ø15x12mm
10 pcs

x2

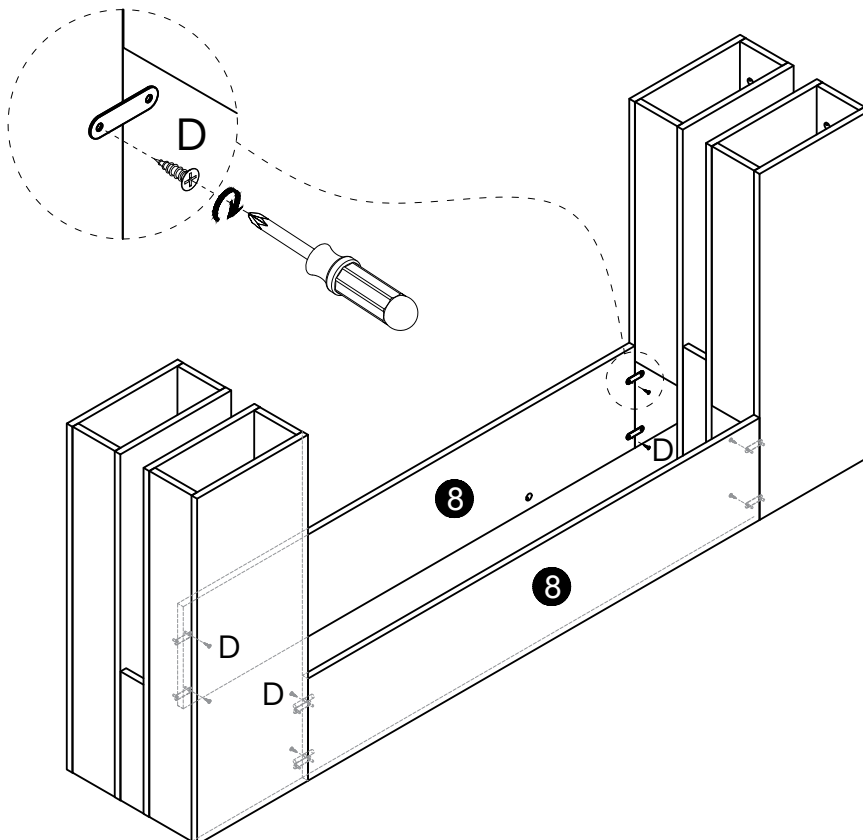



11



C

Ø8x30mm
8 pcs

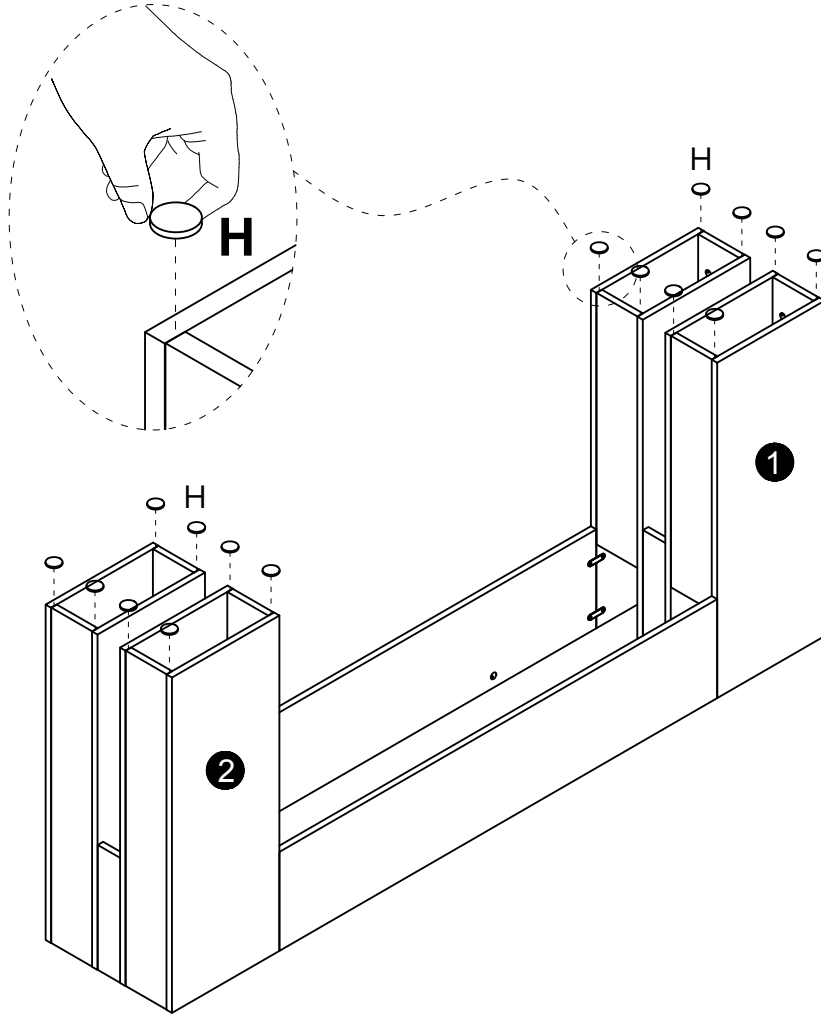
12



D

Ø3.5x14mm
8 pcs

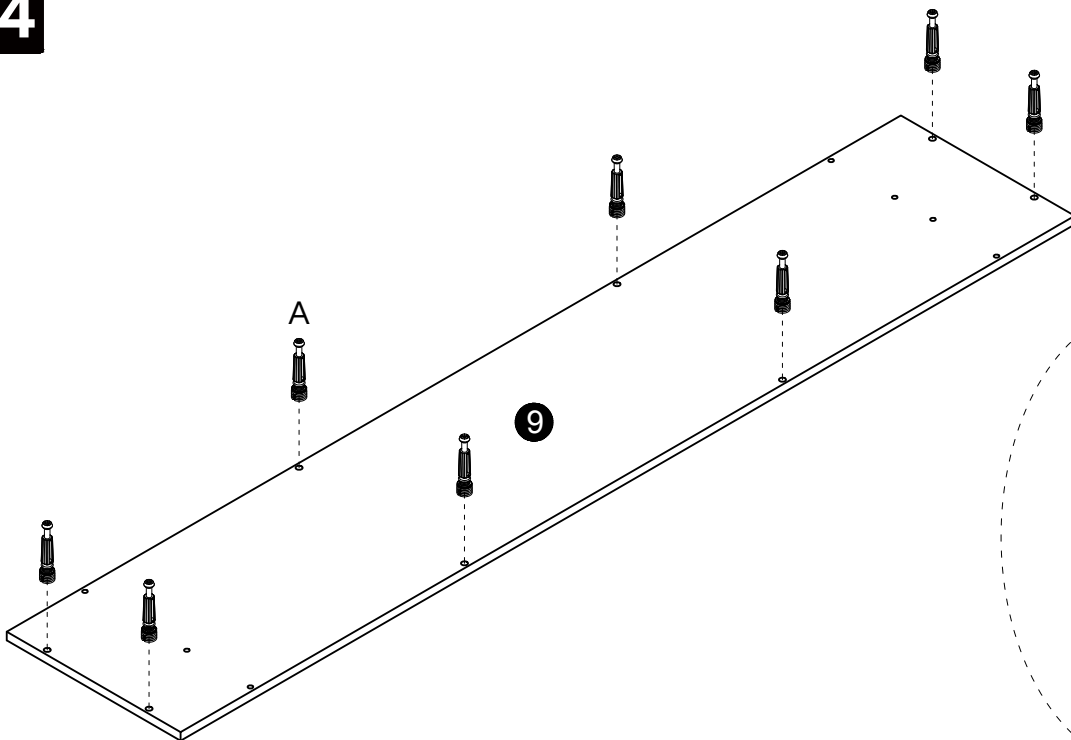


13

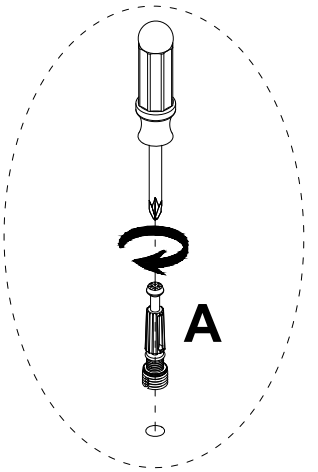


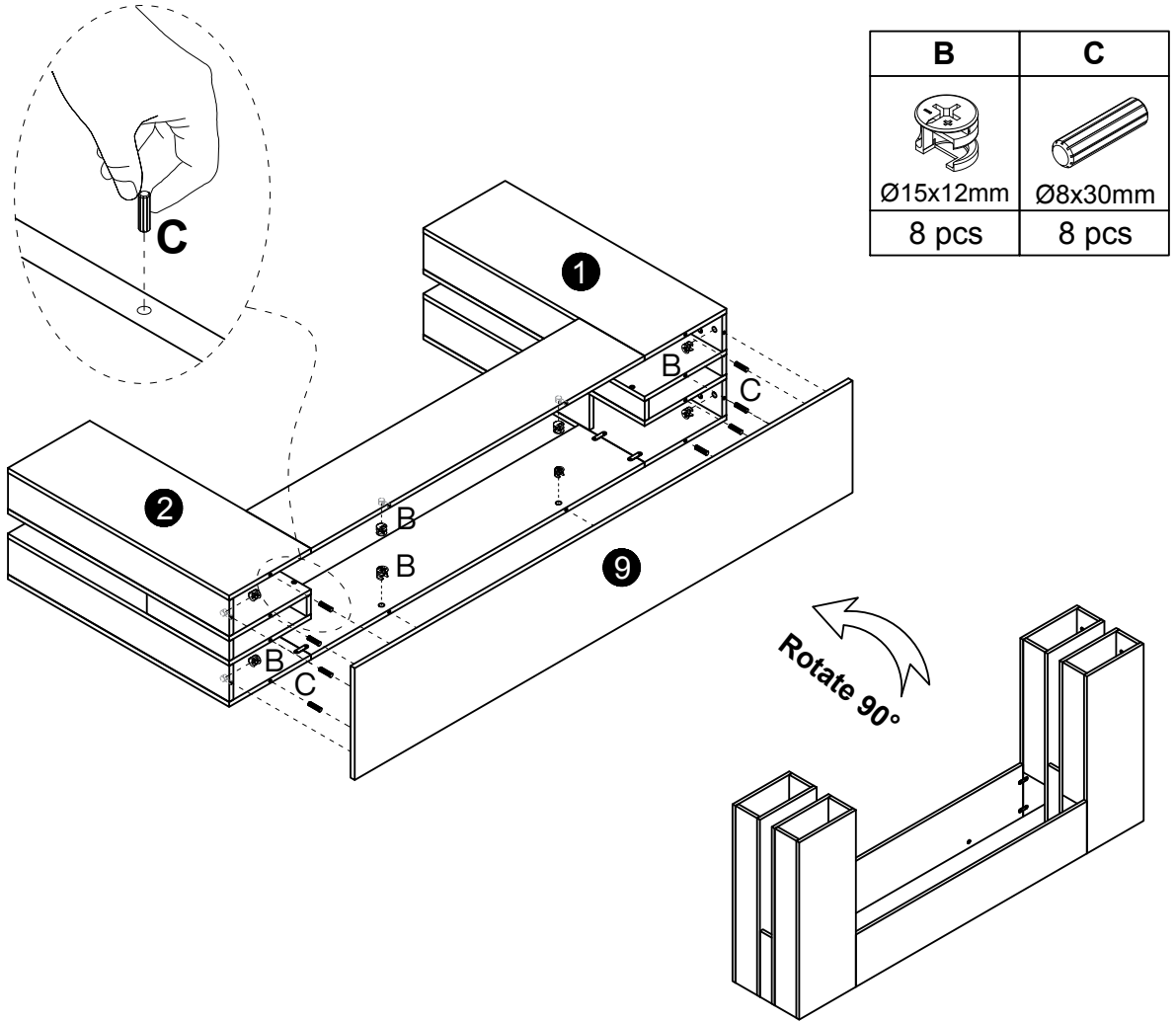
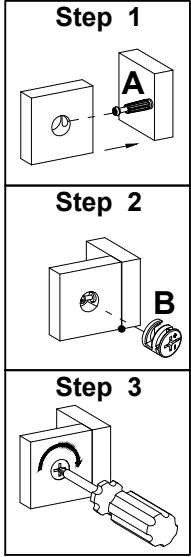
H
16 pcs

14

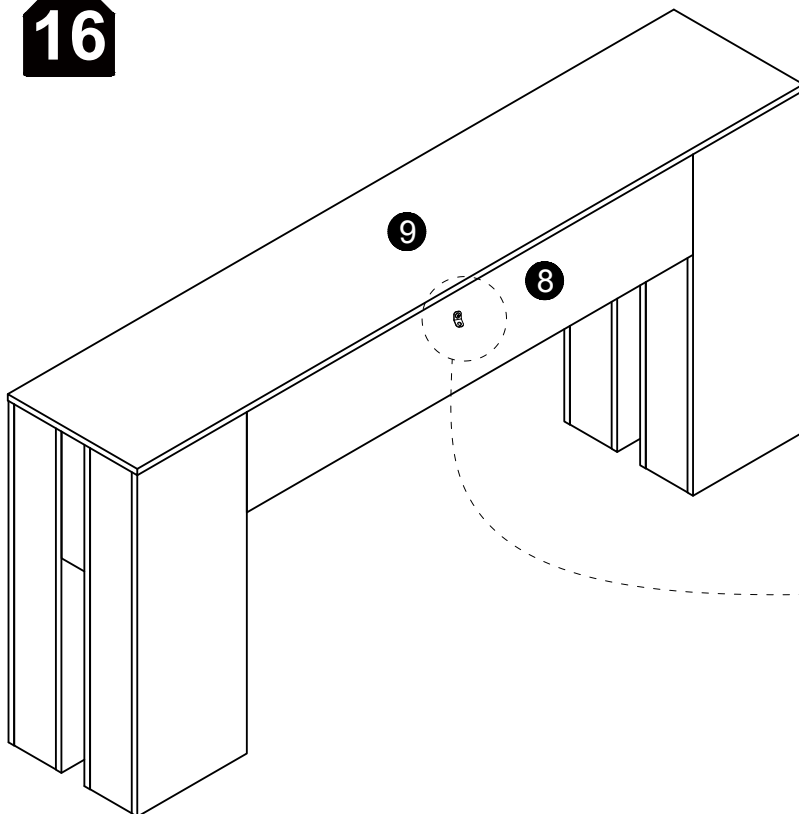


A
M6x35mm
8 pcs

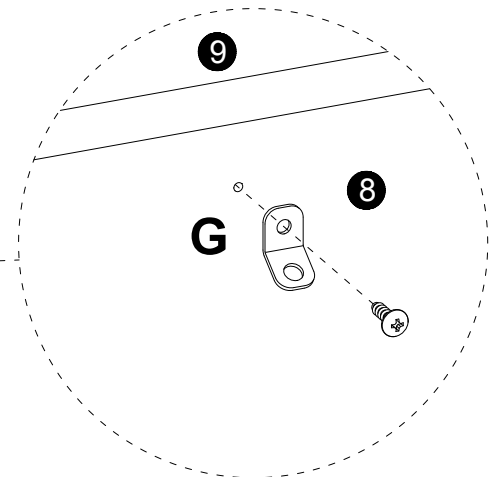


15

B	C
Ø15x12mm	Ø8x30mm
8 pcs	8 pcs

16

G
1 pc

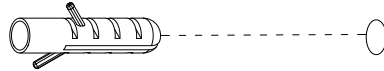




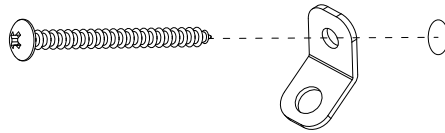
17

Wall

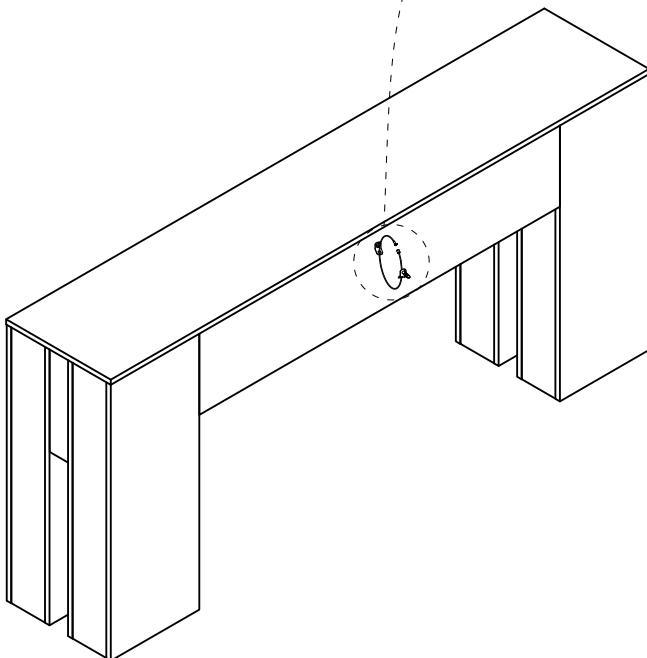
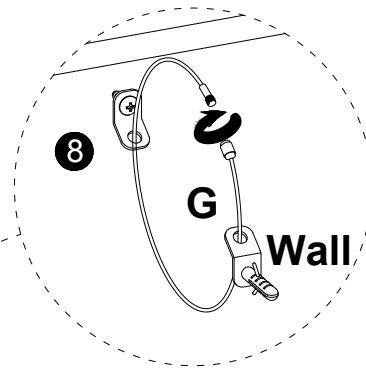
Step1



Step2



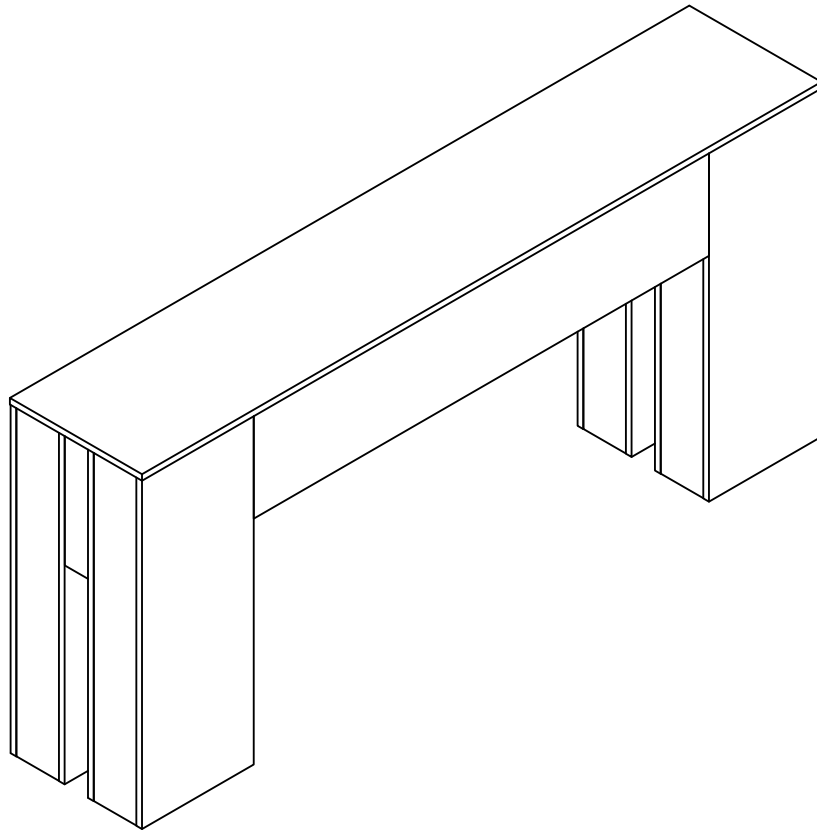
Step3





DESIGNED FOR LIFE

Thank you for your support !



Contact our customer service team



support@tribesigns.com
www.tribesigns.com



1-424-220-6888
7 AM to 8 PM EST,
Monday to Friday

Follow Tribesigns



Facebook



Instagram



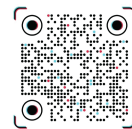
Pinterest



Twitter



YouTube



TikTok



WhatsApp