

# ***Tribesigns***

DESIGNED FOR LIFE

## **Assembly Instructions**



**Cabinet**

Model No.  
**HOGA-JW0900-B**

 **LITTLE TREE**  
Little Tree by Tribesigns

[www.tribesigns.com](http://www.tribesigns.com)



# Contact Us

## We're here to help you.




Your satisfaction is our top priority. If you encounter any issues with this product, such as missing or damaged parts, we're here to help. Please retain the original packaging and take photos of the packaging and the product, then contact us as soon as possible.

### Warm Tips

1. Carefully read these instructions and keep them for future reference.
2. Check the parts list and confirm everything's there before starting assembly.
3. When assembling, put all parts on a soft, smooth surface like a carpet to avoid scratches.
4. Don't fully tighten screws until all parts are confirmed in place to avoid misalignment.

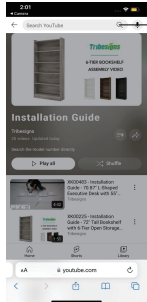
### How to Get the Assembly Video

**Step 1** Scan the QR code.



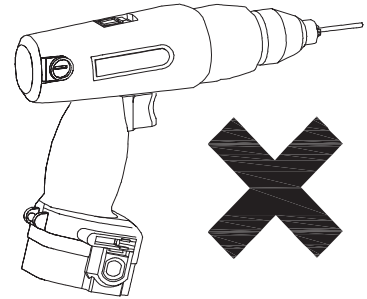
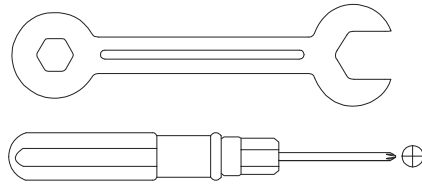
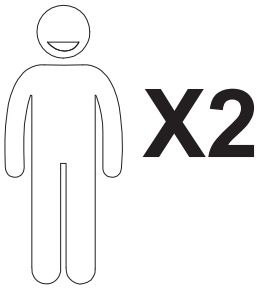
Installation Video

**Step 2** Search with the Model No. (on the bottom left corner of the title page)



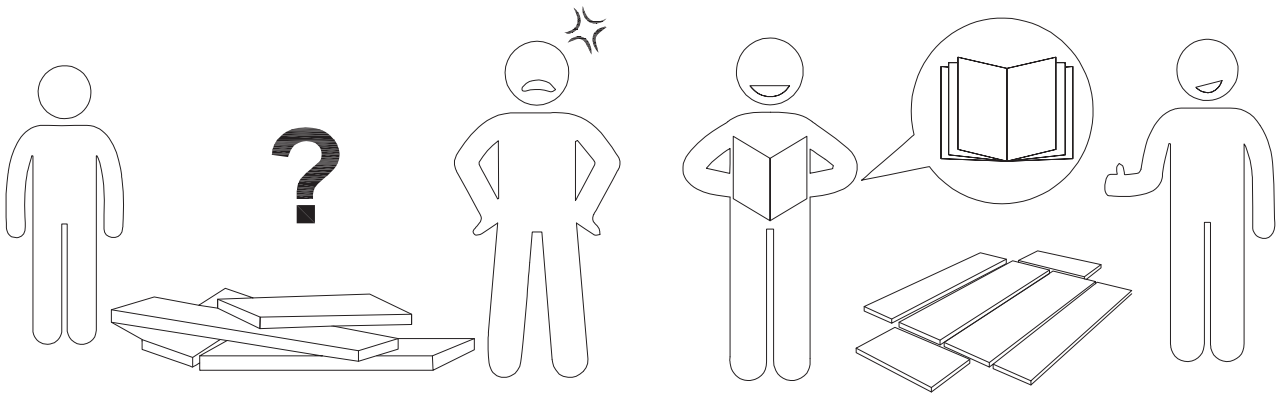
HOGA-JW0900-B

Note: If you can't find the assembly video, please contact us.



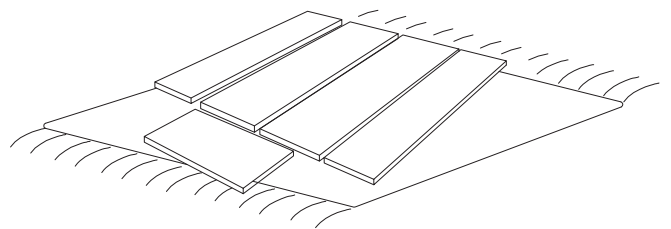
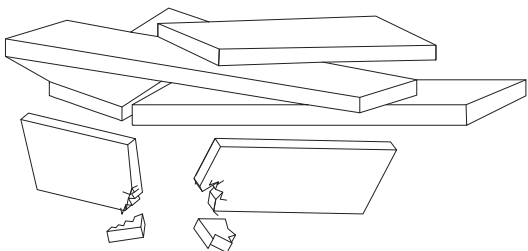
We recommend using hand tools for assembly.

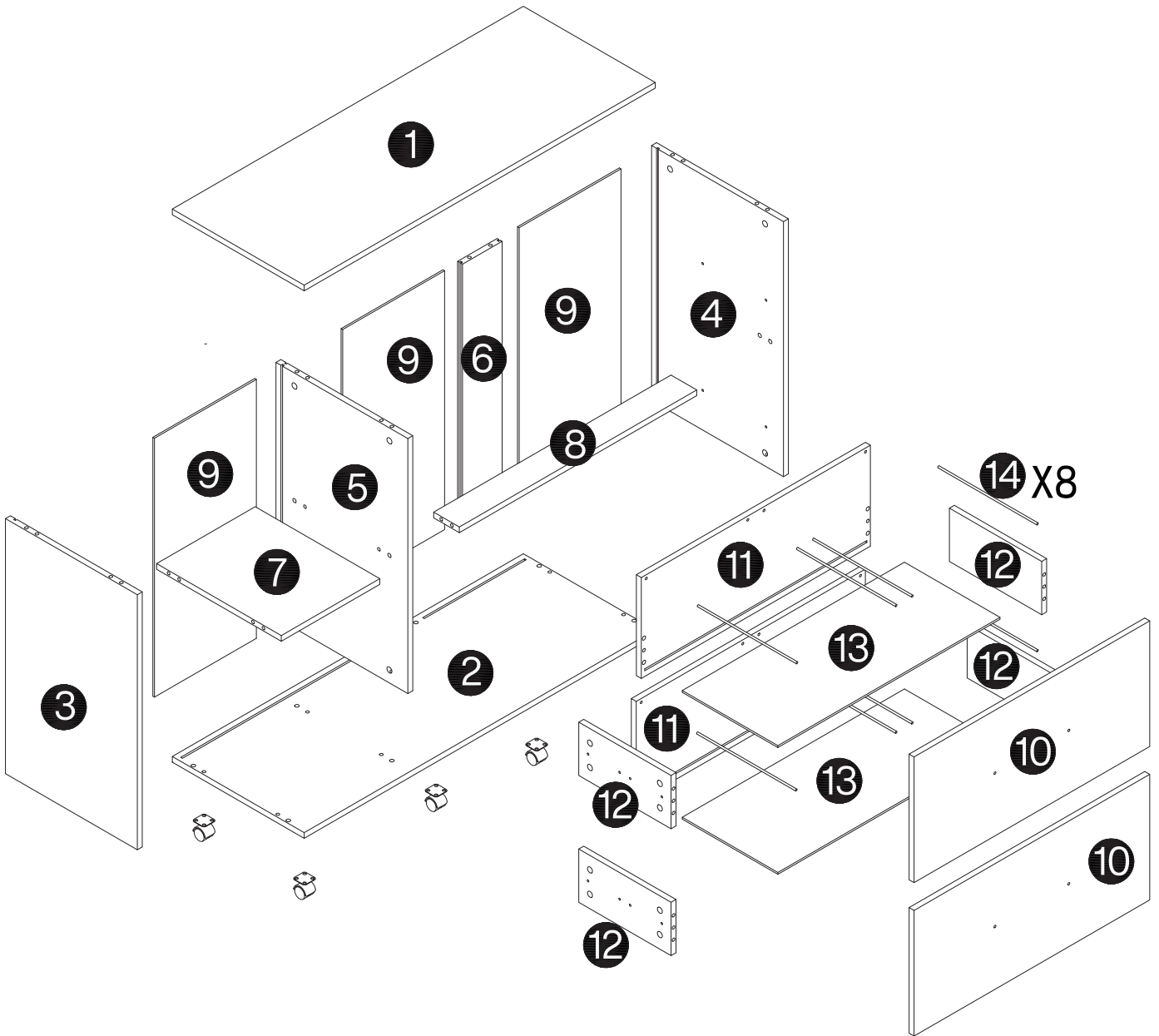
If an electric screwdriver is used, reduce power and torque to avoid damage to the product.



### AVOID SCRATCHES

In order to avoid scratching, this furniture should be assembled on a soft surface, such as a rug.



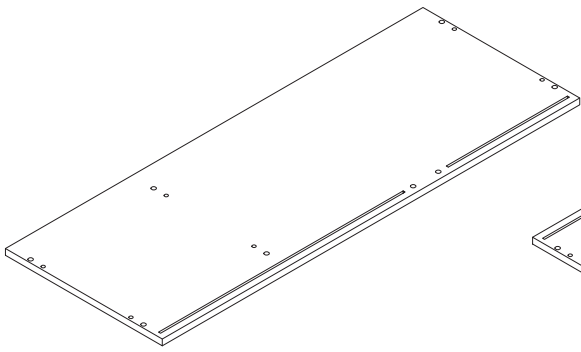


**⚠ Caution**

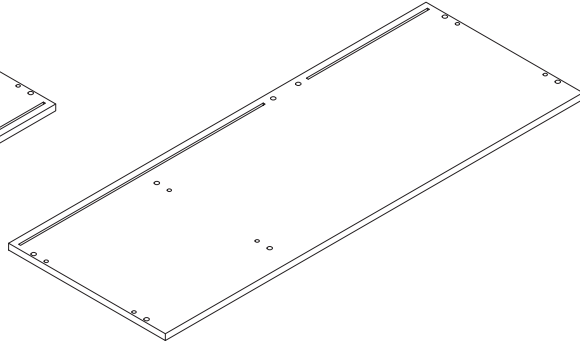
Make sure all parts are included. Most board parts are labeled or stamped on the raw edge. Contact us for a free replacement if you encounter any damaged or missing parts.



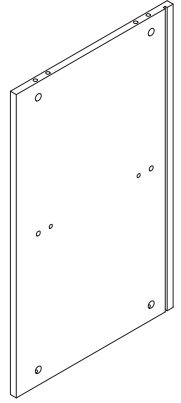
# Parts List



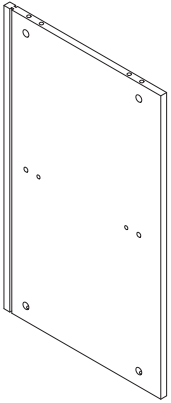
1 1pc



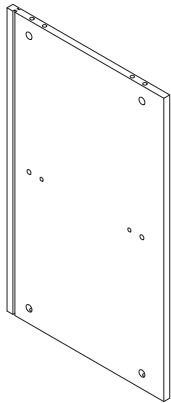
2 1pc



3 1pc



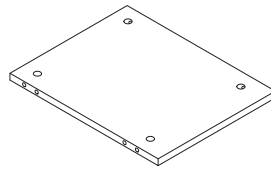
4 1pc



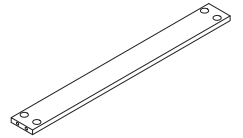
5 1pc



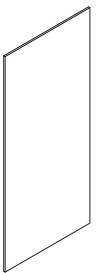
6 1pc



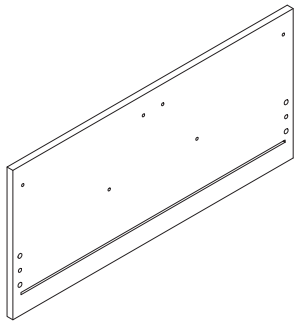
7 1pc



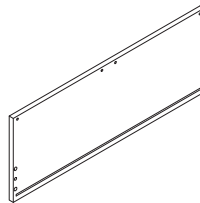
8 1pc



9 3pcs



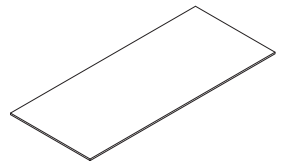
10 2pcs



11 2pcs



12 4pcs






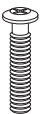




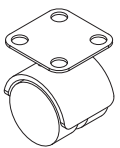
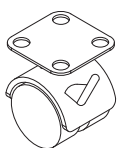

13 2pcs



14 8pcs



# Hardware List

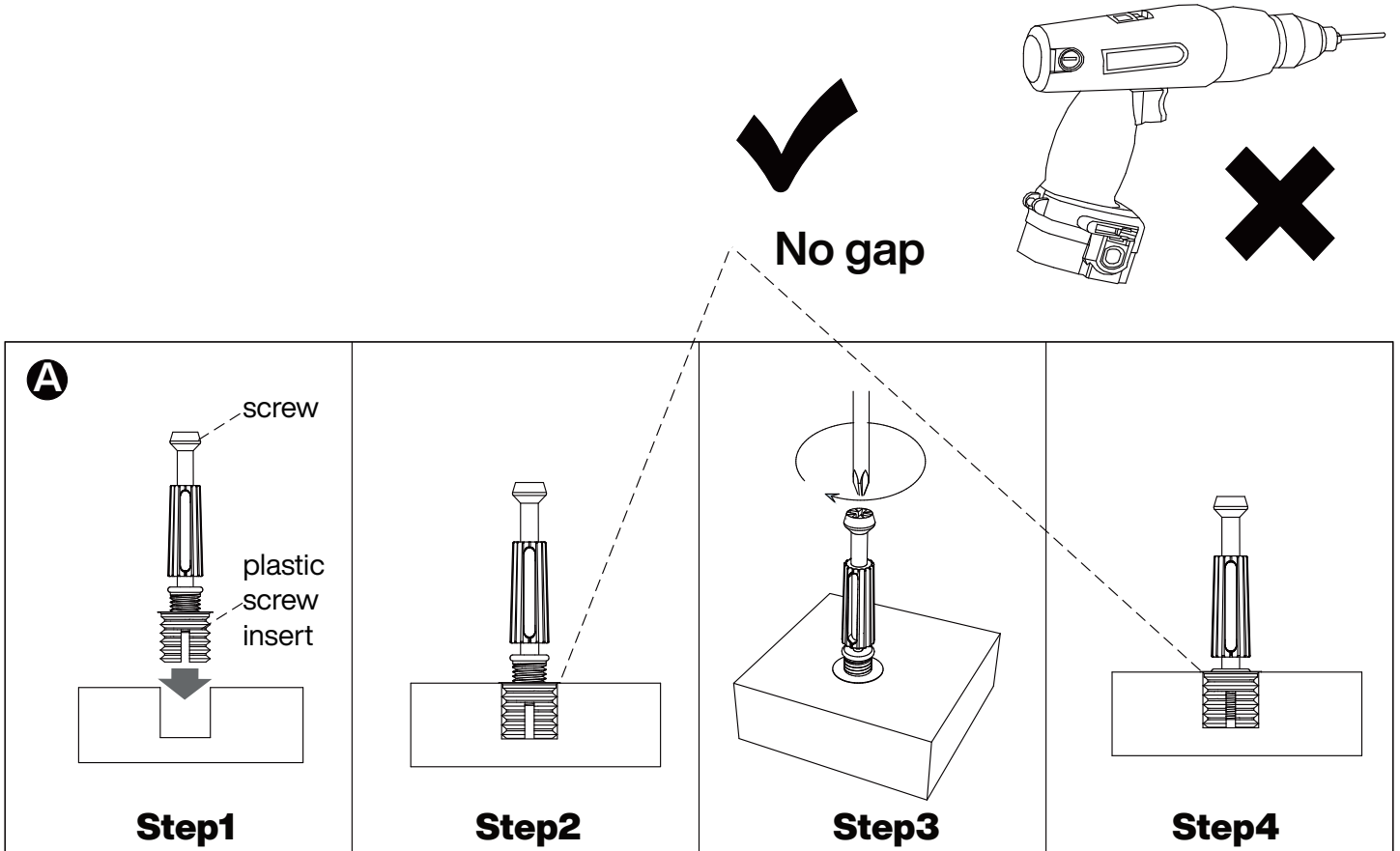
 Ø6X40MM <b>A</b> 40pcs+1	 Ø15X12 <b>B</b> 40pcs+1	 Ø7.8X30MM <b>C</b> 24pcs+1	 Ø4X22MM <b>D</b> 4pcs	 Ø3.5X14MM <b>E</b> 44pcs+1	 224MM <b>F</b> 2pcs
 17X16X10.5MM <b>G</b> 18pcs+1	 Ø3X18MM <b>H</b> 18pcs+1	 <b>I</b> 3pcs	 <b>J</b> 2pcs	 290MM <b>K</b> 4pcs	



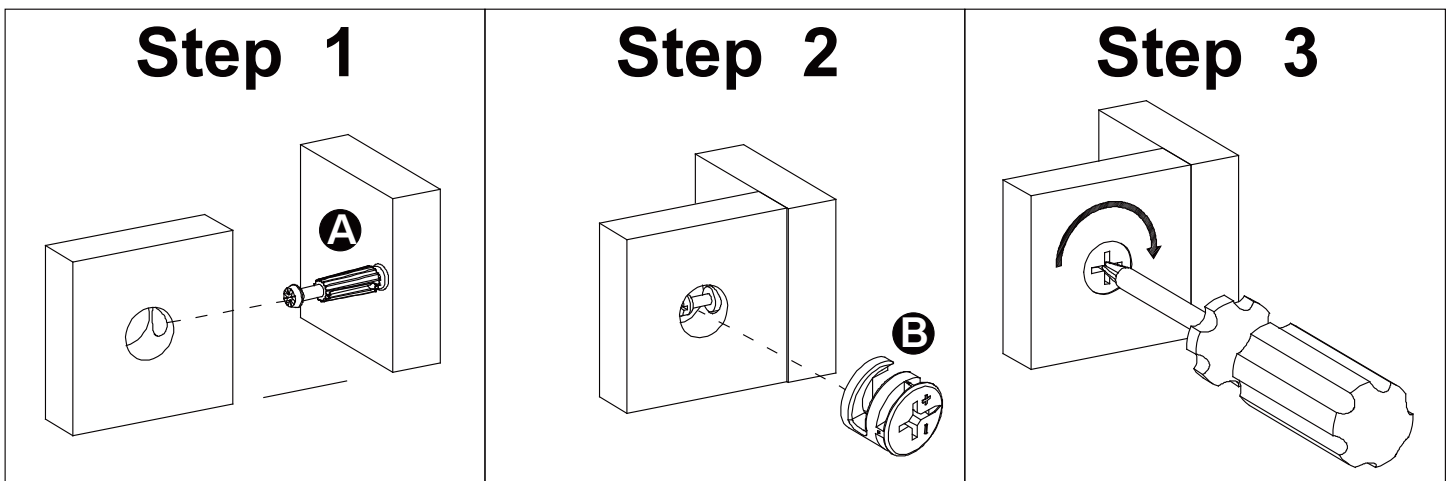
## Installation of Cams and Pins

Step 1-2: Align the plastic part with the mounting hole and press it in. If you can't press it in, loosen the screw counter clockwise or completely remove the screw from the plastic part and try again.

Step 3-4: After pressing the plastic part into place, use a screwdriver to tighten the screw clockwise.



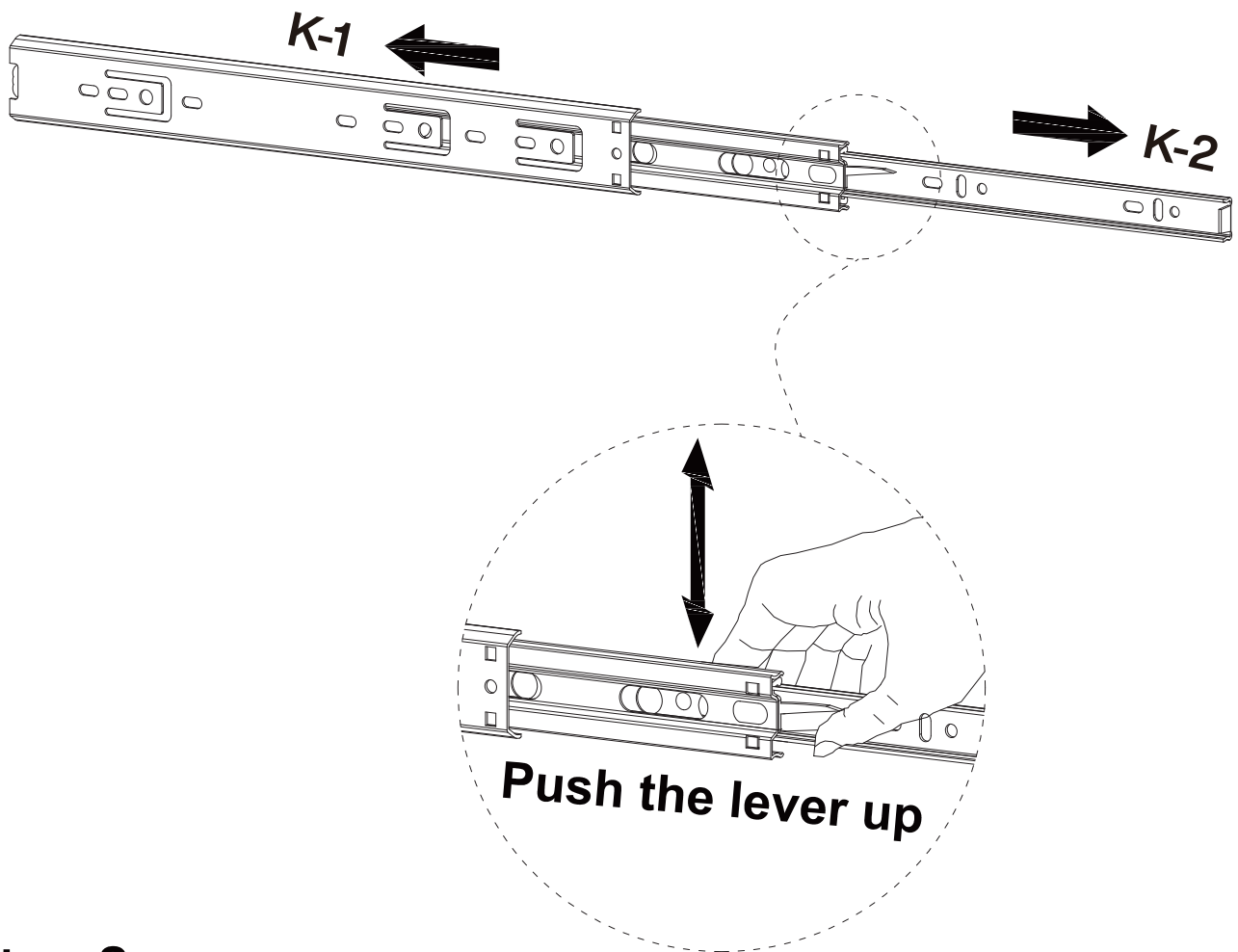
Screw the pin into the hole. Set the cams correctly by aligning the head of the cams with the lock pins. Lock the cam by turning the cam head with a screwdriver until it is tightened. Please do not use an electric screwdriver to assemble the unit.



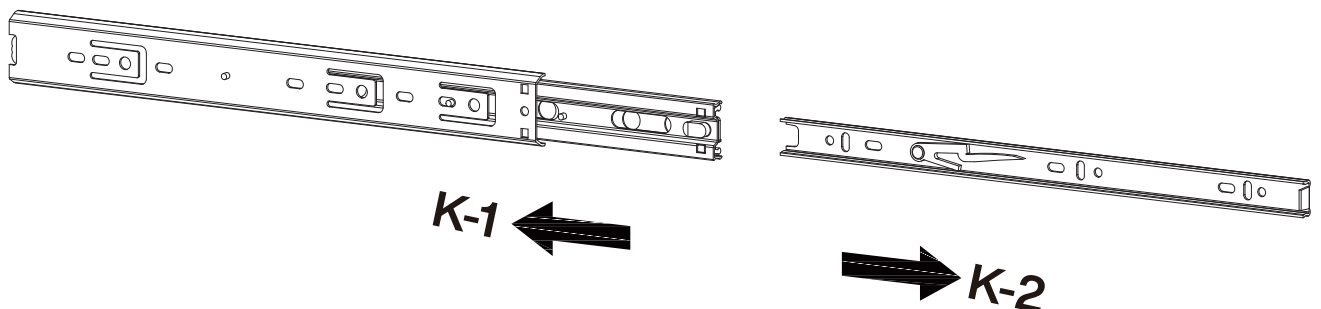
Please split component "K" into "K-1" and "K-2" before assembling the slide and then proceed to the next step of assembly

## Step 1

Pull apart component "K" to each side, and then gently push up the lever of component "K-1"

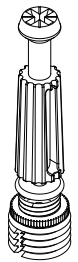
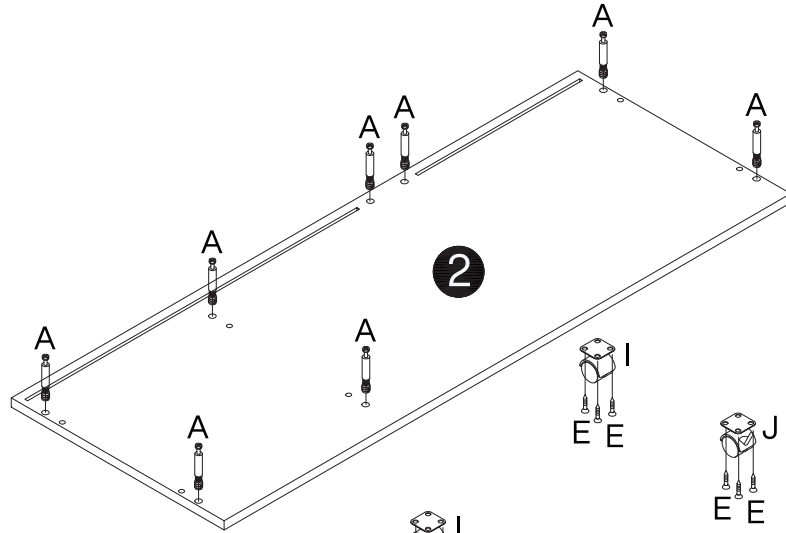


## Step 2 Split component "K-1" and "K-2"





1



A  
8 pcs



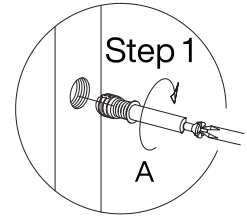
I  
3 pcs



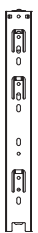
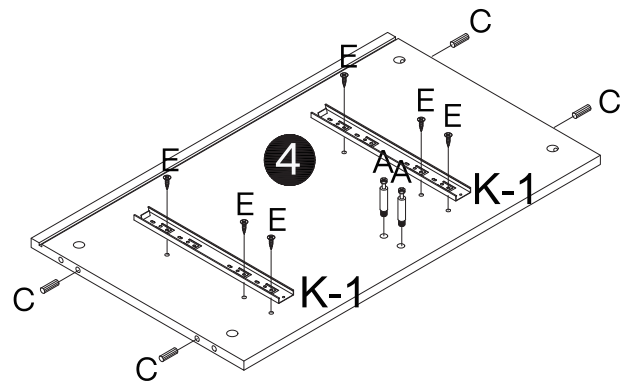
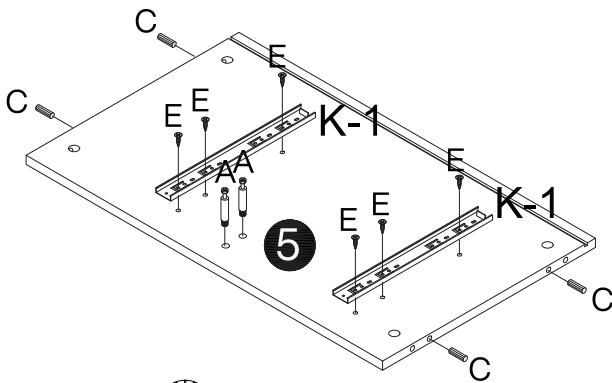
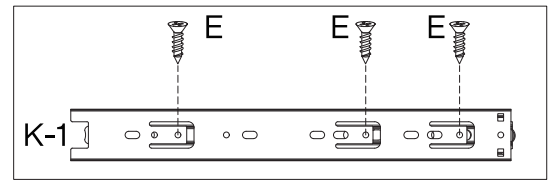
J  
2 pcs



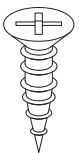
E  
20 pcs



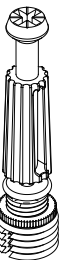
2



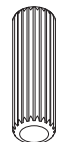
K  
4 pcs



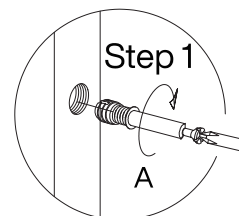
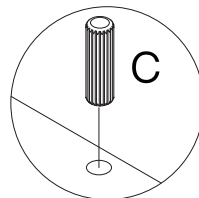
E  
12 pcs



A  
4 pcs

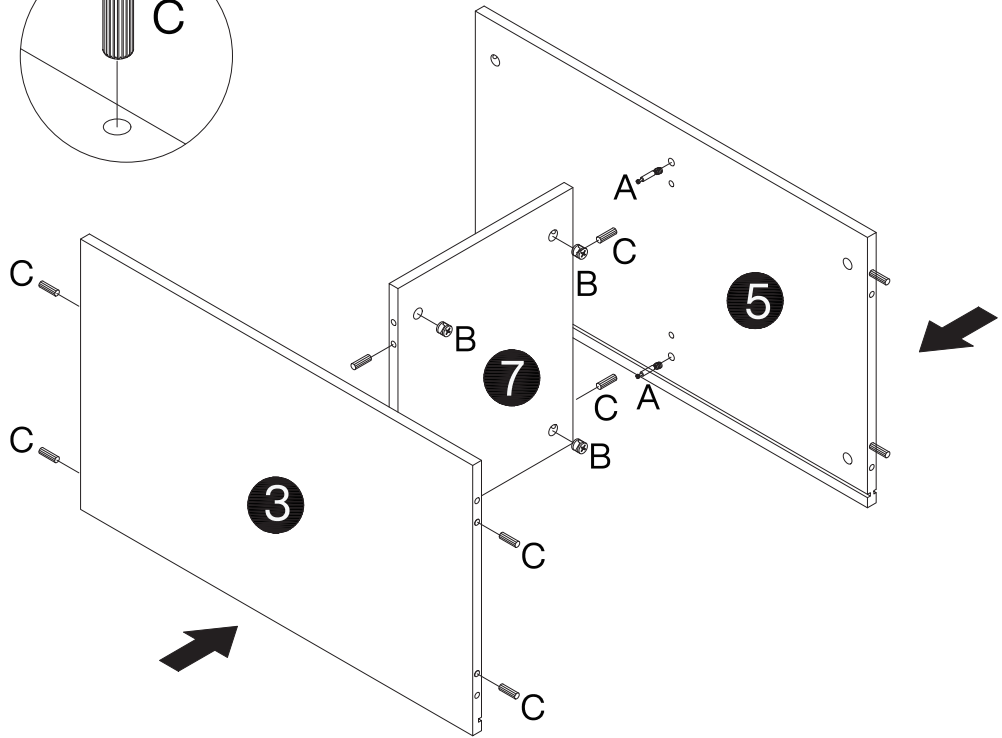
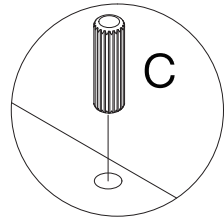


C  
8 pcs





3



A  
4 pcs

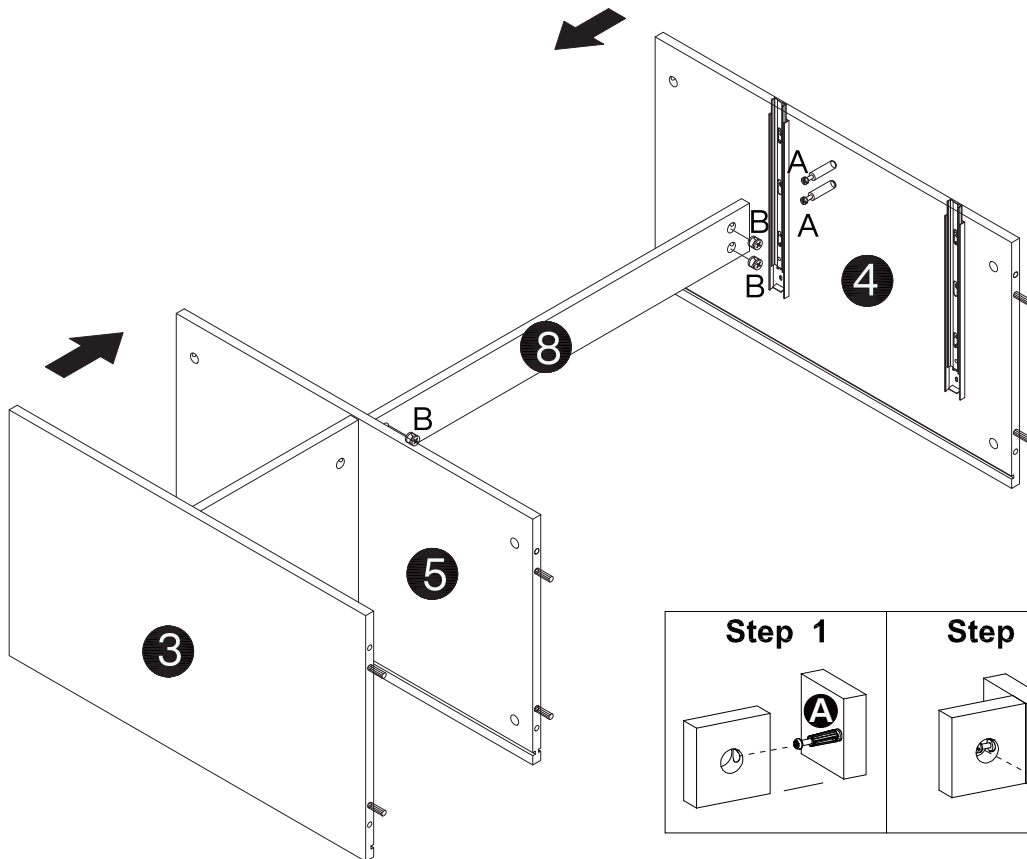


B  
4 pcs



C  
8 pcs

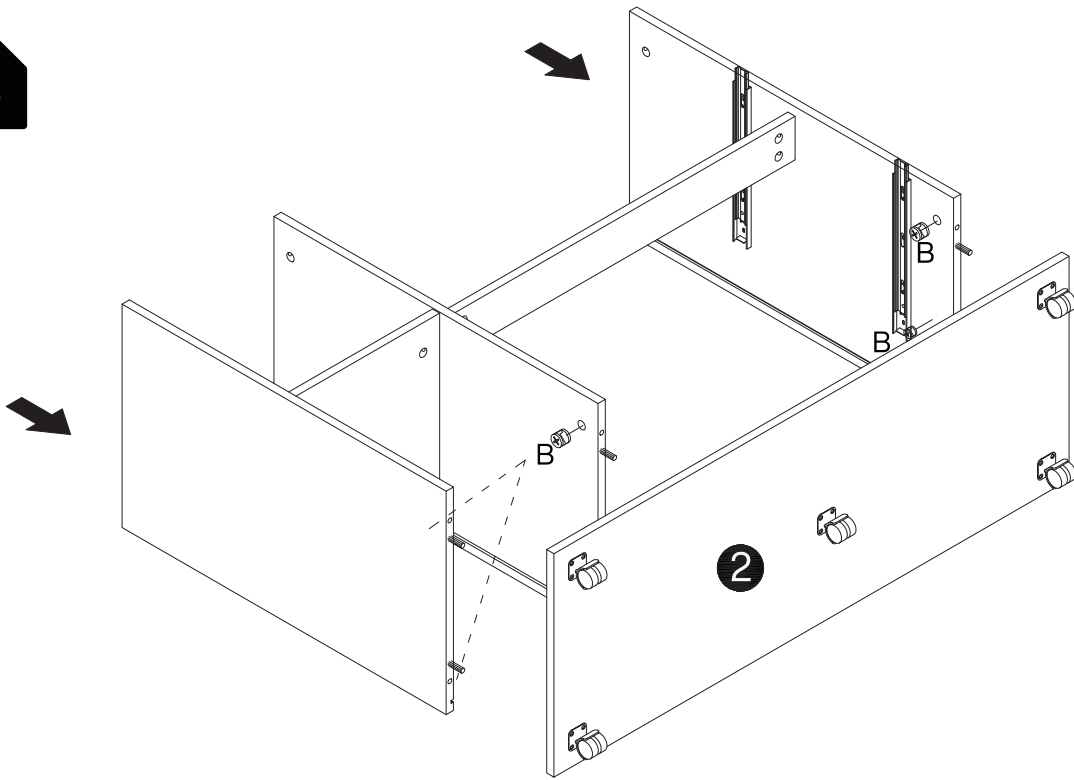
4



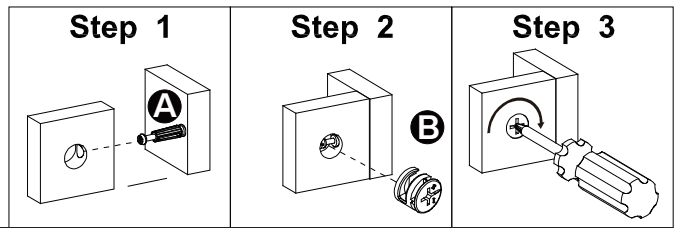
B  
4 pcs



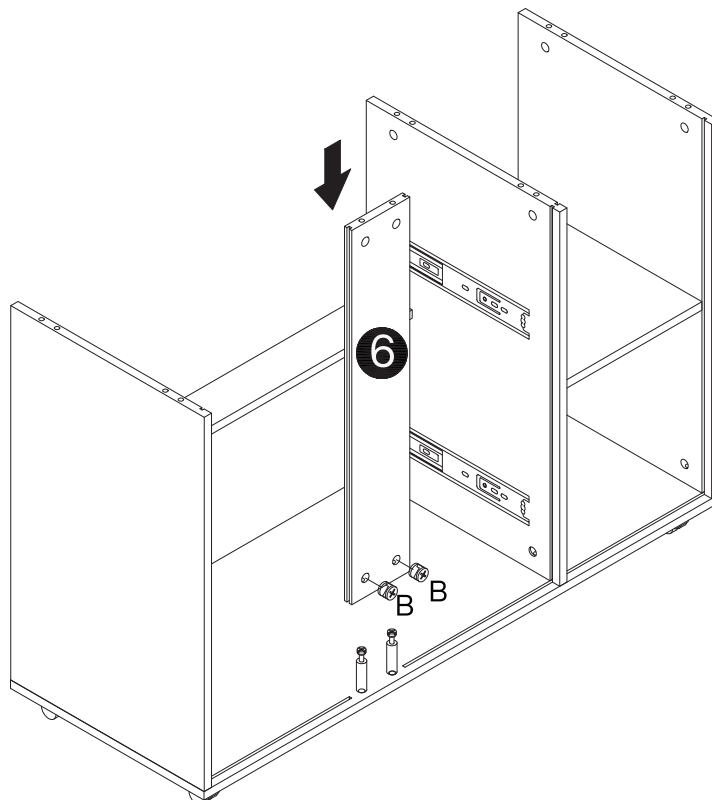
5



B  
6 pcs



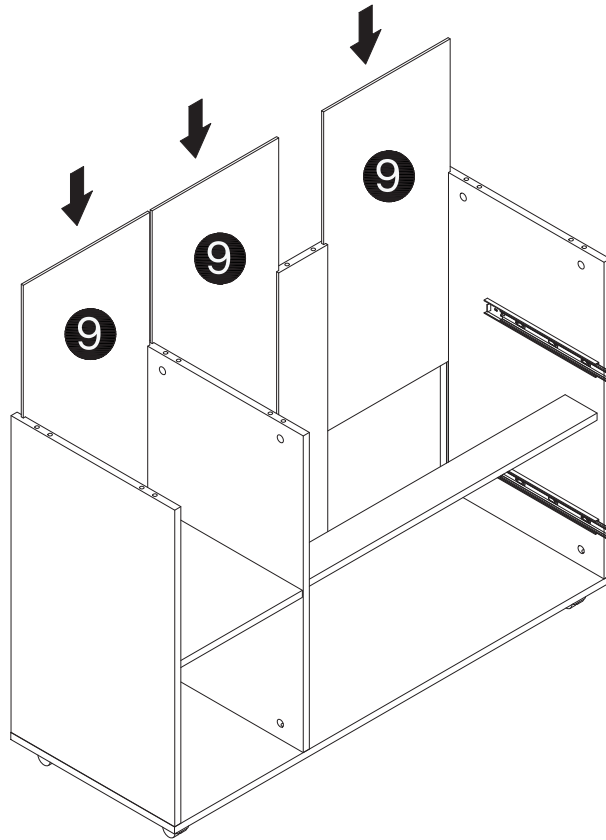
6



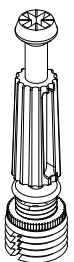
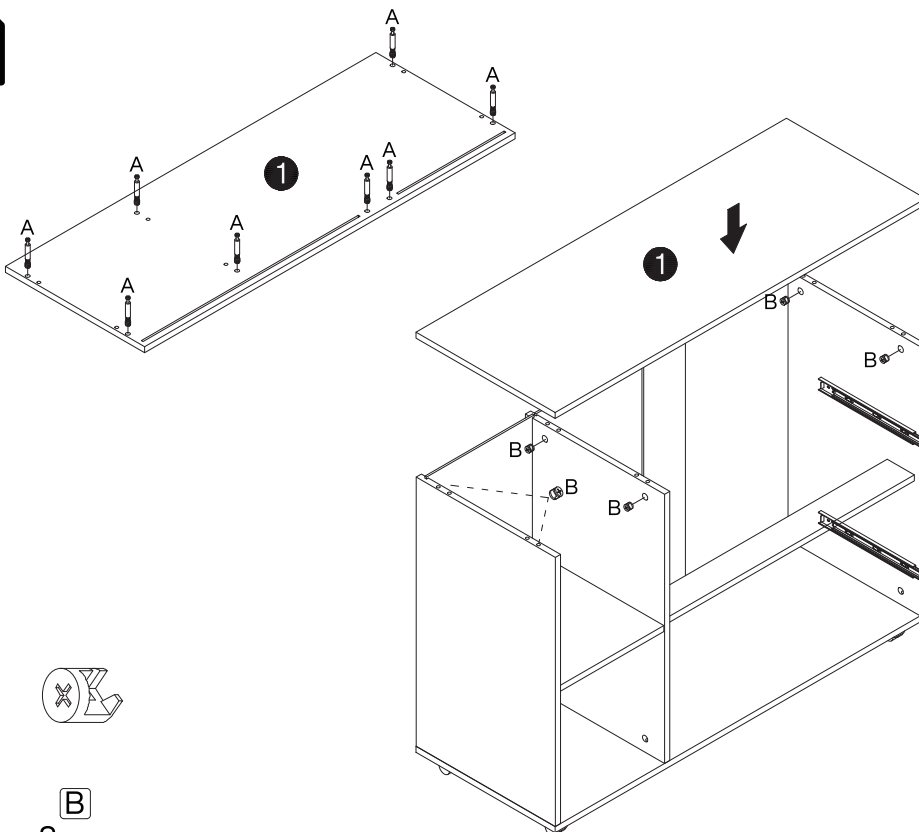
B  
2 pcs



7



8

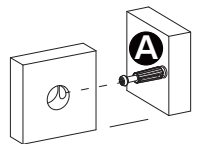


A  
8 pcs

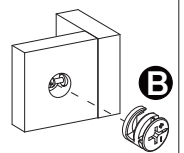


B  
8 pcs

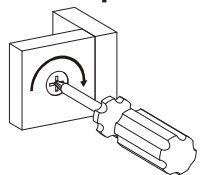
Step 1



Step 2

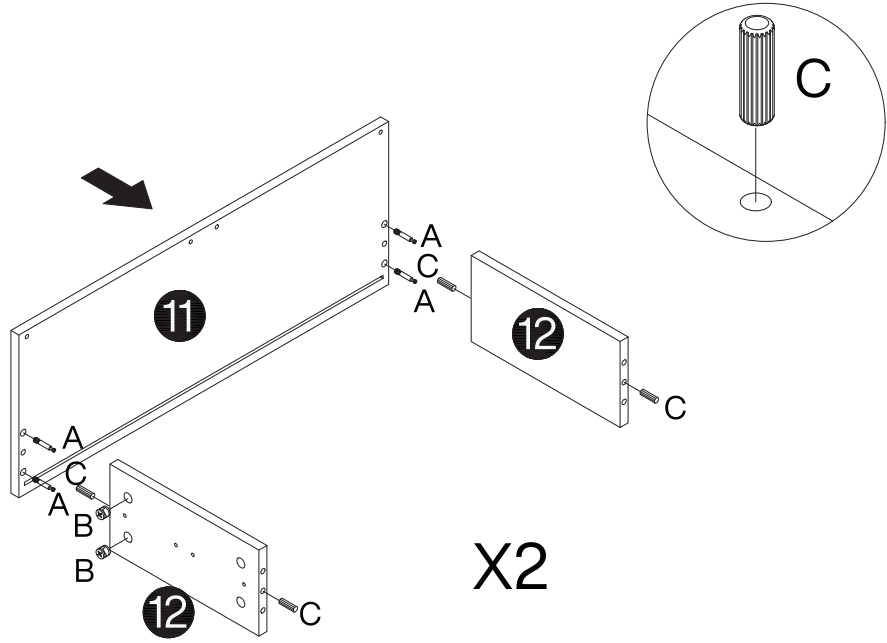


Step 3





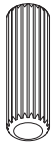
9



A  
8 pcs

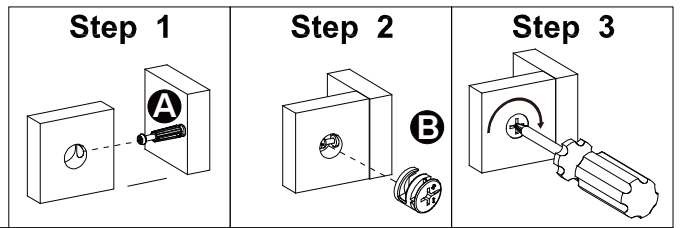


B  
8 pcs

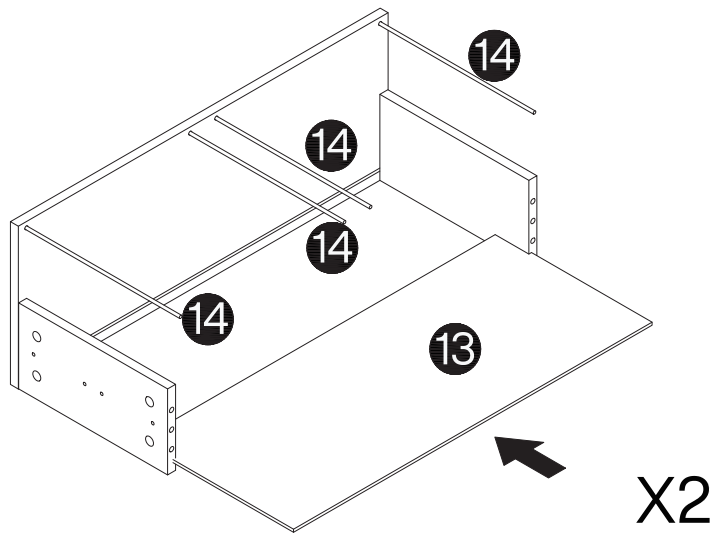


C  
8 pcs

X2



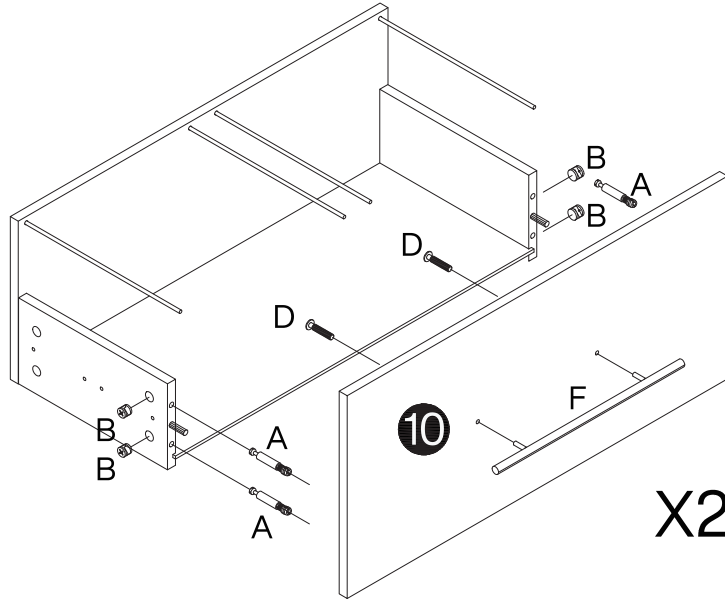
10



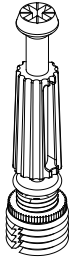
X2



11



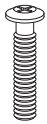
X2



A  
8 pcs



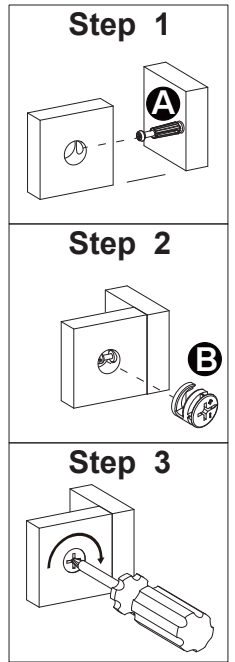
B  
8 pcs



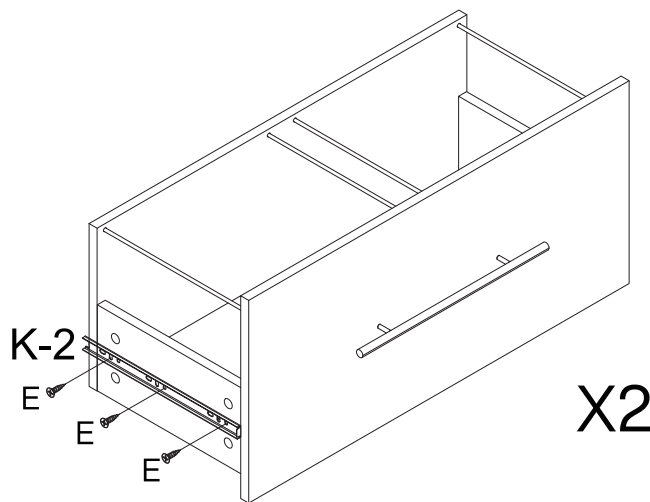
D  
4 pcs



F  
2 pcs



12



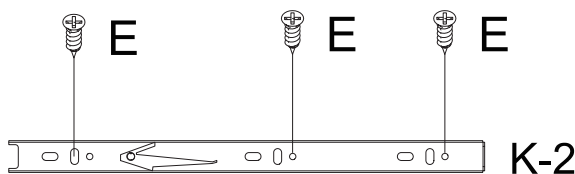
X2



K-2  
4 pcs

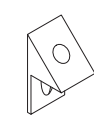
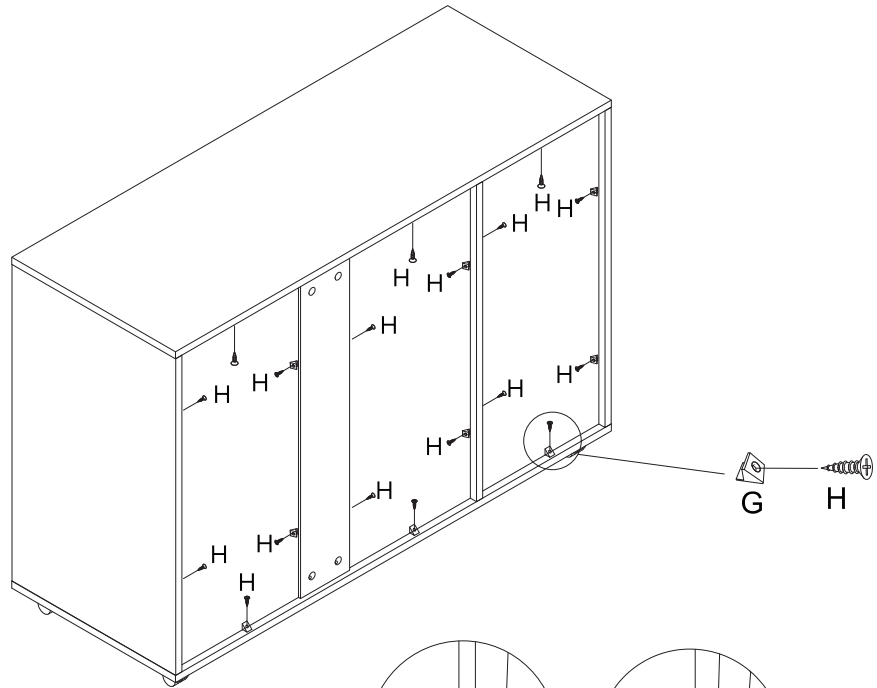


E  
12 pcs





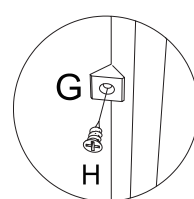
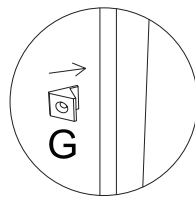
# 13



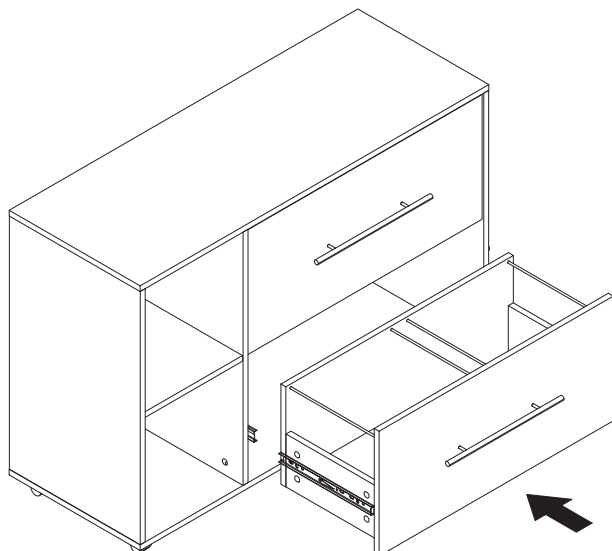
G  
18 pcs



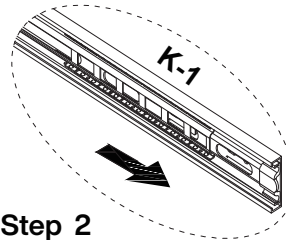
H  
18 pcs



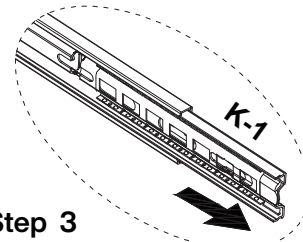
# 14



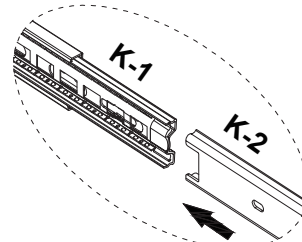
Step 1



Step 2



Step 3

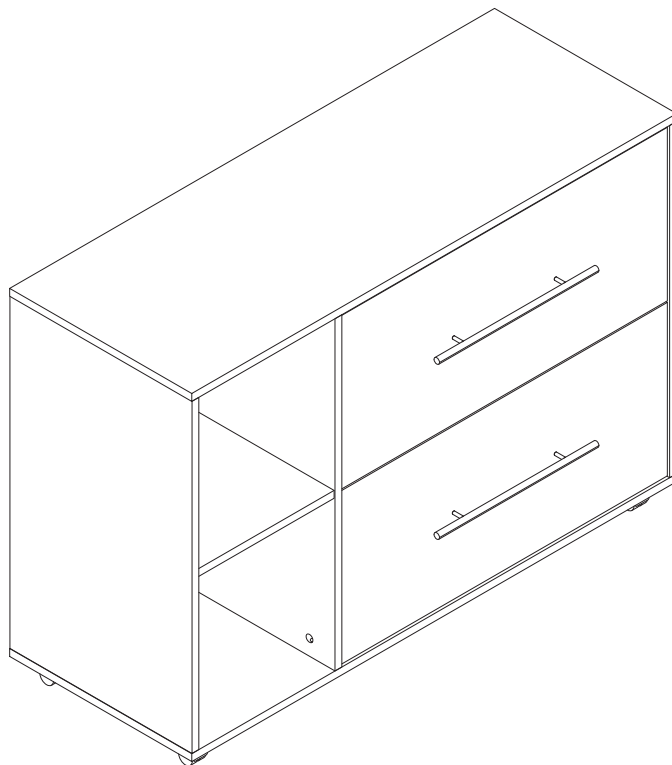


Before installation, slide the inner iron pieces of #K-1 to the outermost side. Then align it with #K-2 and gently push it inward to complete the slide installation.



DESIGNED FOR LIFE

Thank you for your support!



Contact our customer service team



support@tribesigns.com  
www.tribesigns.com



1-424-220-6888

7 AM to 8 PM EST,  
Monday to Friday

Follow Tribesigns



Facebook



Instagram



Pinterest



Twitter



YouTube



TikTok



WhatsApp