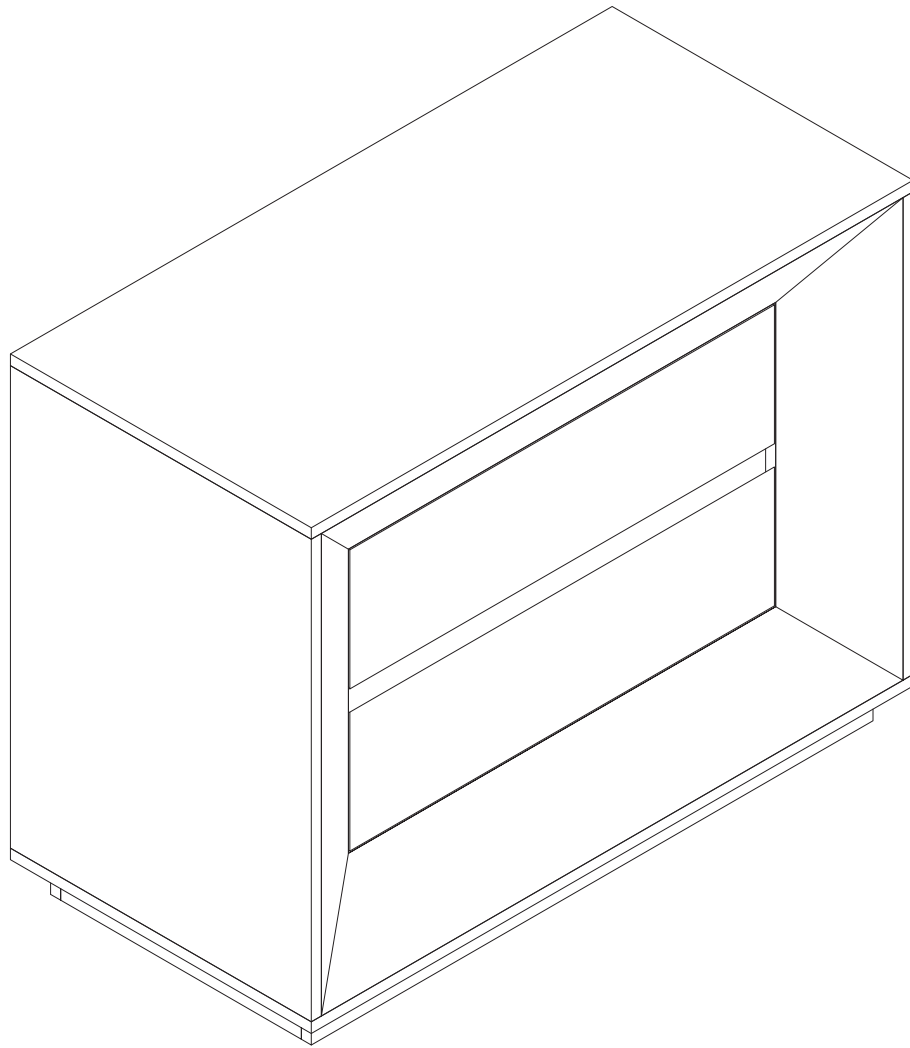


Assembly Instructions

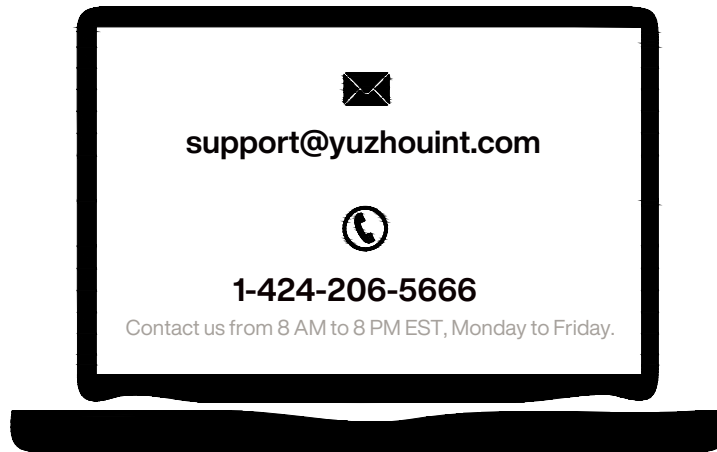


Nightstand

Model No.
HOGA-YC0030

Contact Us

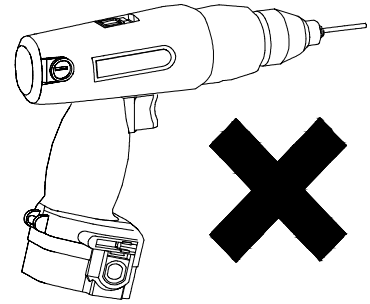
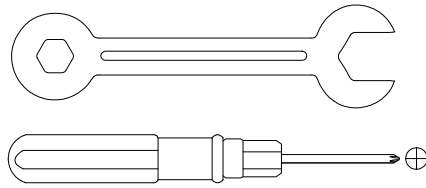
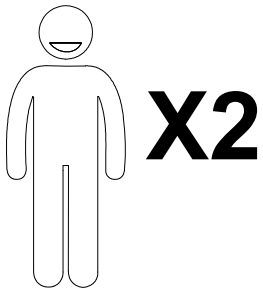
We're here to help you.



Your satisfaction is our top priority. If you encounter any issues with this product, such as missing or damaged parts, we're here to help. Please retain the original packaging and take photos of the packaging and the product, then contact us as soon as possible.

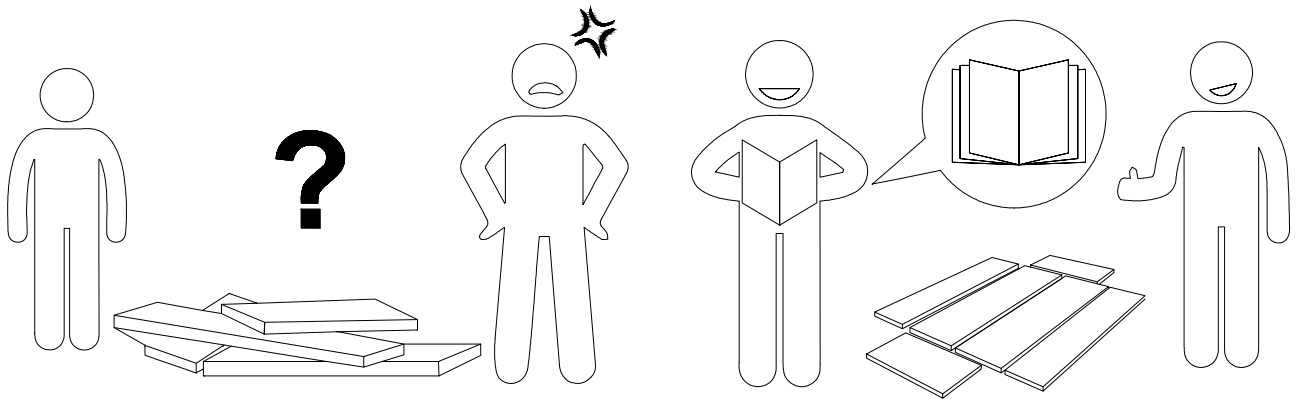
Warm Tips

1. Carefully read these instructions and keep them for future reference.
2. Check the parts list and confirm everything's there before starting assembly.
3. When assembling, put all parts on a soft, smooth surface like a carpet to avoid scratches.
4. Don't fully tighten screws until all parts are confirmed in place to avoid misalignment.



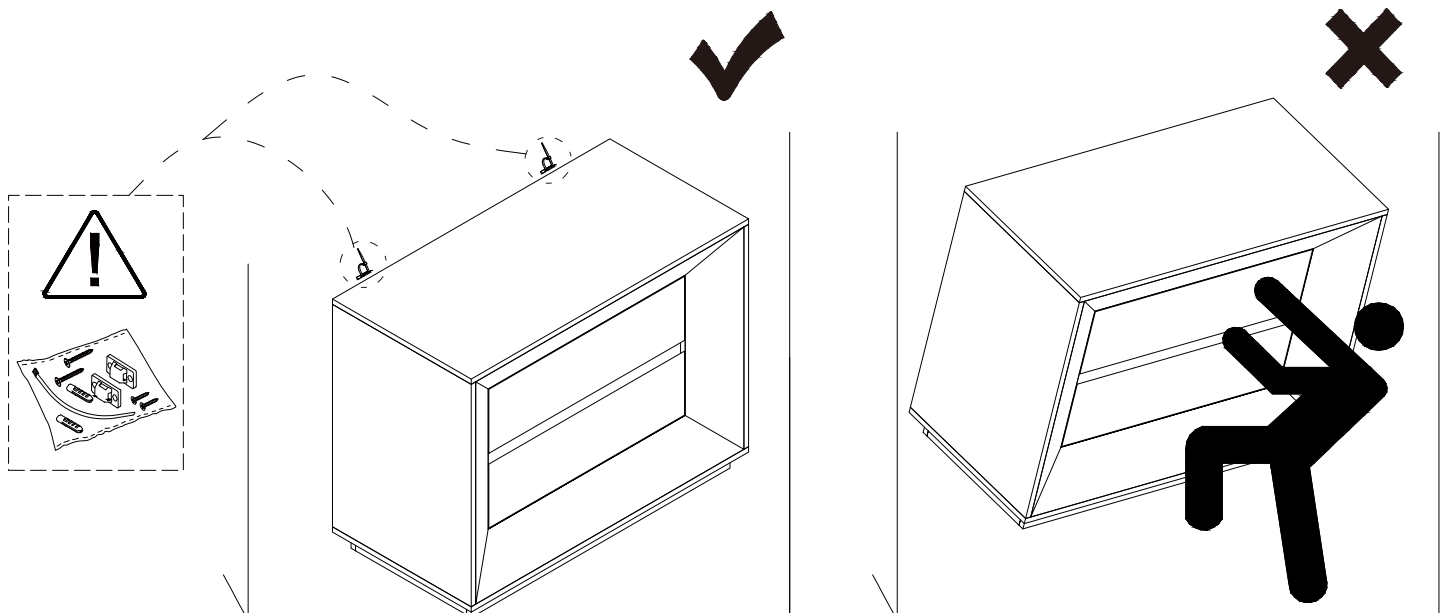
We recommend using hand tools for assembly.

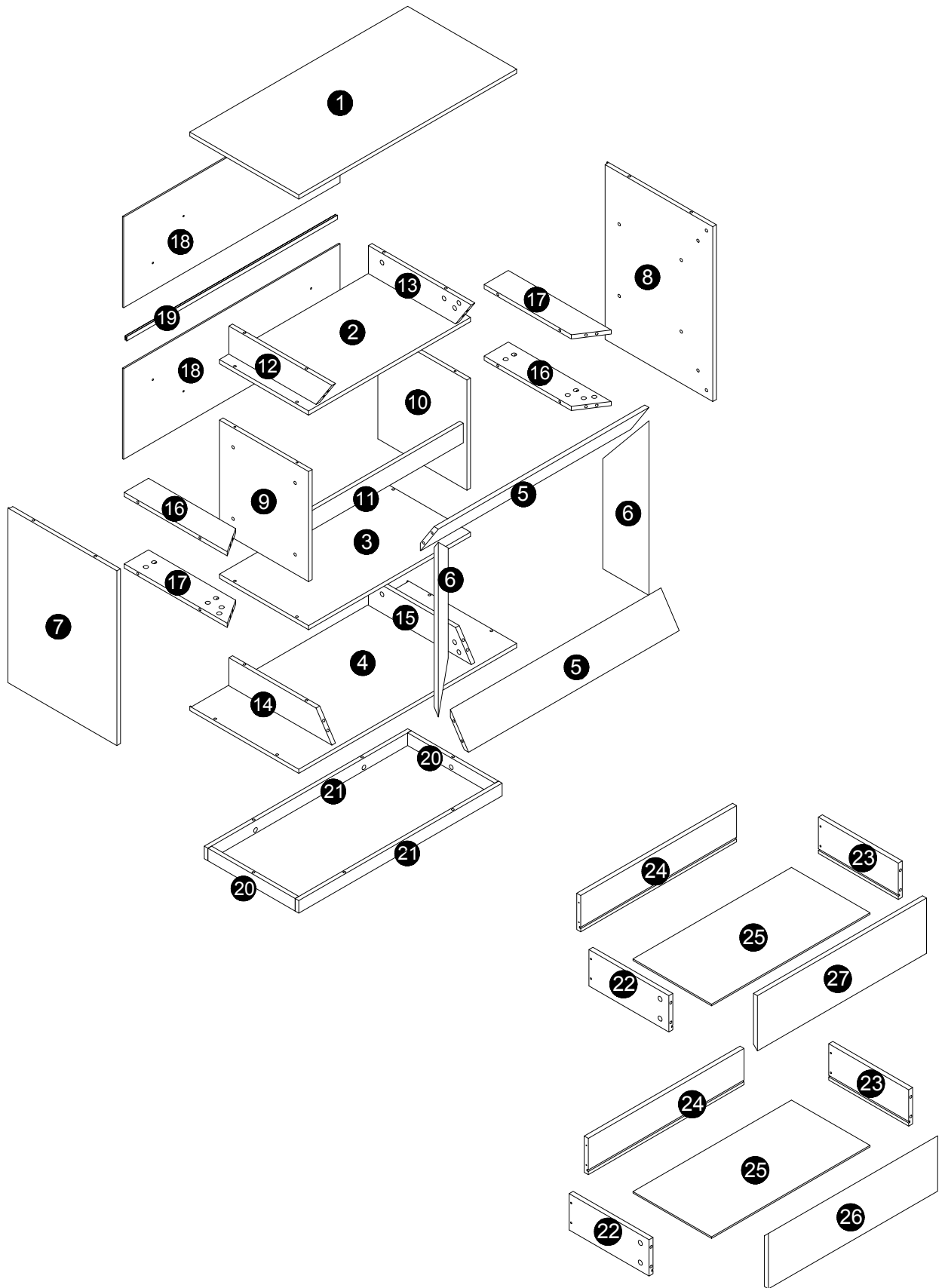
If an electric screwdriver is used, reduce power and torque to avoid damage to the product.



Install the Anti-Tip Straps

Using the anti-tip straps can reduce the risk of tipping over, but can not eliminate it.

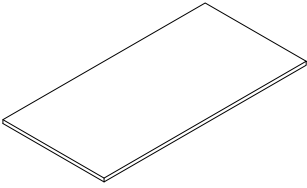
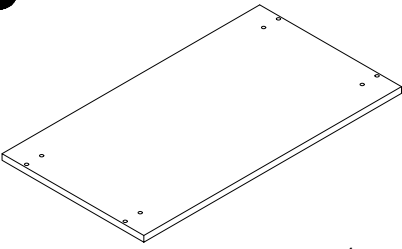
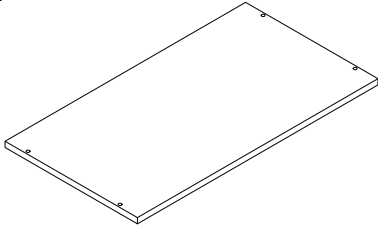
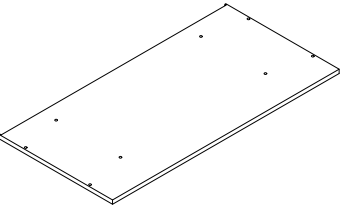


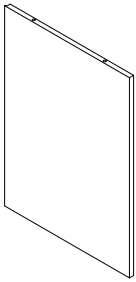
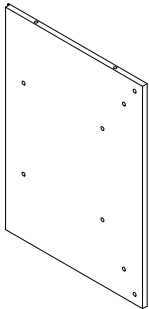
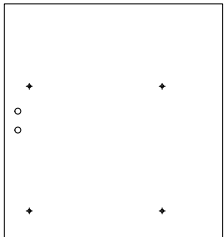
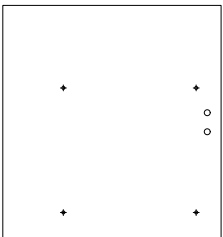
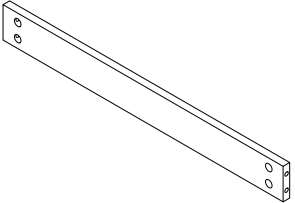
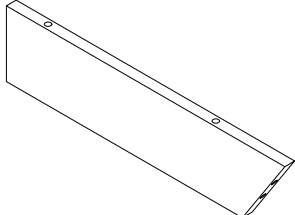
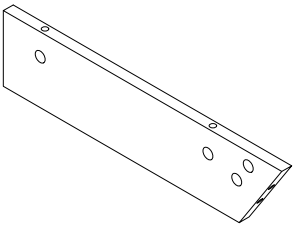
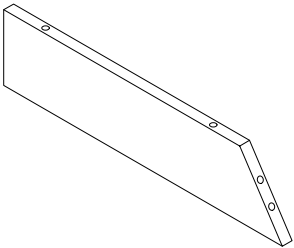
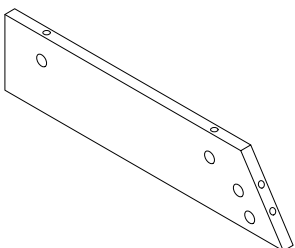




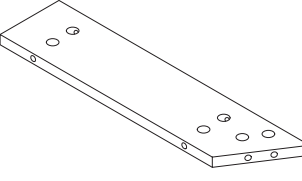
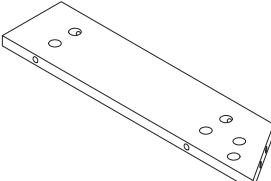

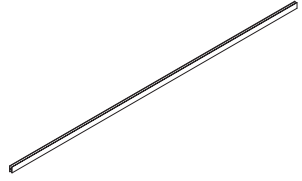
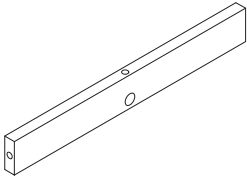
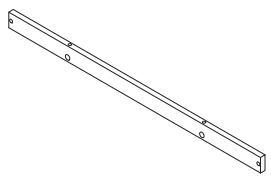
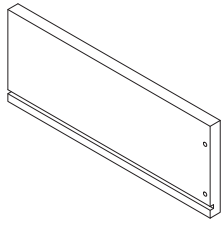
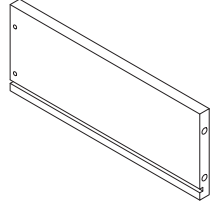
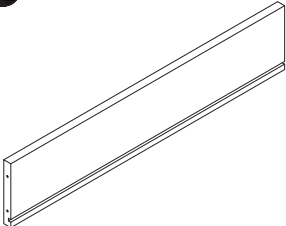
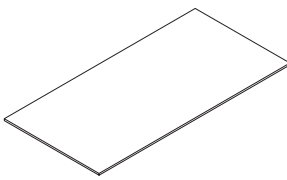
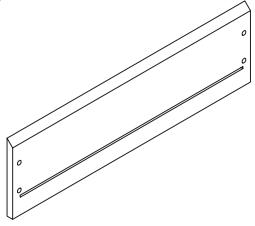
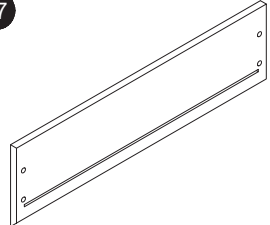
⚠ Caution

Make sure all parts are included. Most board parts are labeled or stamped on the raw edge. Contact us for a free replacement if you encounter any damaged or missing parts.

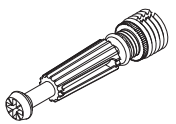
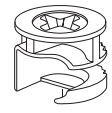

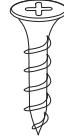
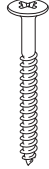

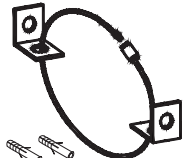
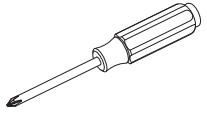
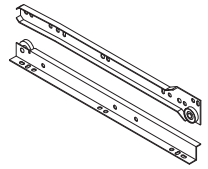
Parts List

<p>1</p>  <p>1 pc</p>	<p>2</p>  <p>1 pc</p>	<p>3</p>  <p>1 pc</p>
<p>4</p>  <p>1 pc</p>	<p>5</p>  <p>2 pcs</p>	<p>6</p>  <p>2 pcs</p>
<p>7</p>  <p>1 pc</p>	<p>8</p>  <p>1 pc</p>	<p>9</p>  <p>1 pc</p>
<p>10</p>  <p>1 pc</p>	<p>11</p>  <p>1 pc</p>	<p>12</p>  <p>1 pc</p>
<p>13</p>  <p>1 pc</p>	<p>14</p>  <p>1 pc</p>	<p>15</p>  <p>1 pc</p>

Parts List

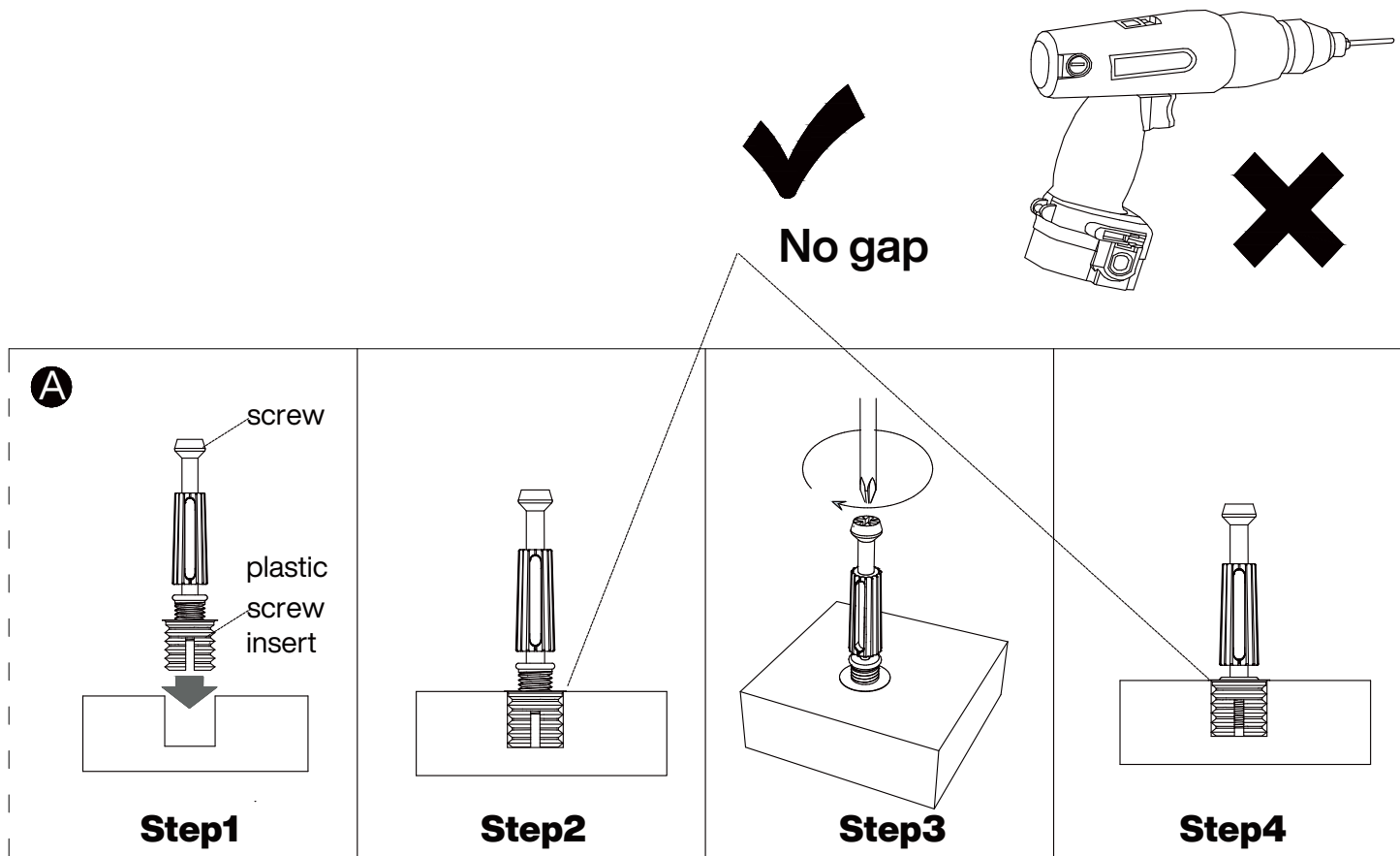
<p>16</p>  <p>2 pcs</p>	<p>17</p>  <p>2 pcs</p>	<p>18</p>  <p>2 pcs</p>	<p>19</p>  <p>1 pc</p>
<p>20</p>  <p>2 pcs</p>	<p>21</p>  <p>2 pcs</p>	<p>22</p>  <p>2 pcs</p>	<p>23</p>  <p>2 pcs</p>
<p>24</p>  <p>2 pcs</p>	<p>25</p>  <p>2 pcs</p>	<p>26</p>  <p>1 pc</p>	<p>27</p>  <p>2 pcs</p>

Hardware List

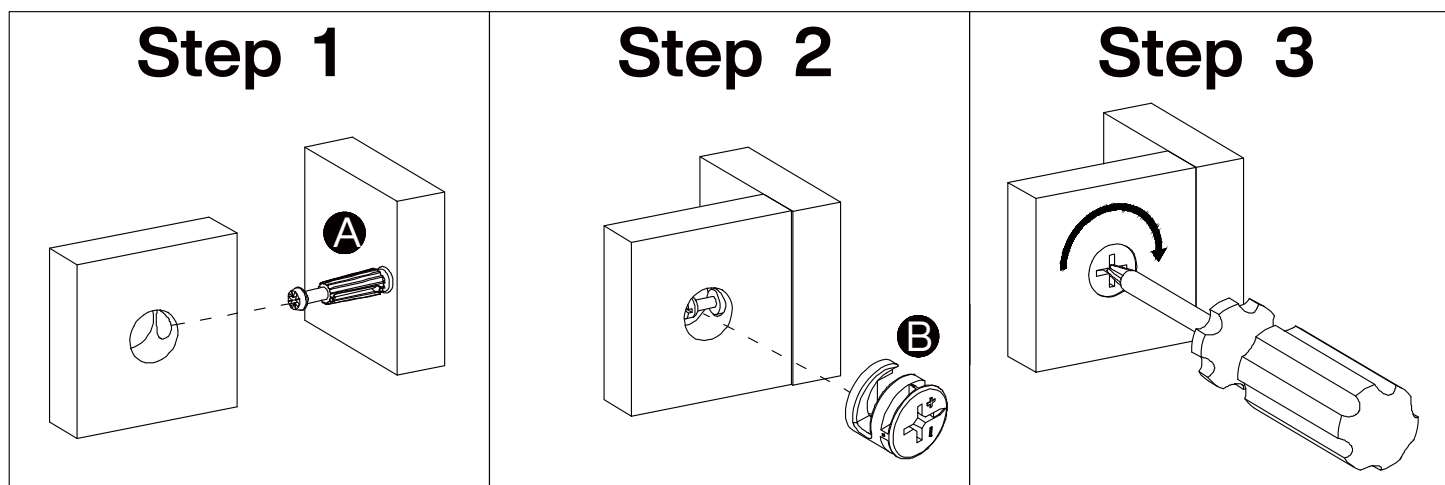
A	B	C	D	E	F
 <p>Ø6x40mm</p>	 <p>Ø15x12mm</p>	 <p>Ø7x38mm</p>	 <p>Ø3.5x14mm</p>	 <p>Ø3.5x30mm</p>	 <p>Ø15x5mm</p>
<p>74+1 pcs</p>	<p>74+1 pcs</p>	<p>20 pcs</p>	<p>32+1 pcs</p>	<p>8 pcs</p>	<p>6 pcs</p>
G	H	I			
 <p>2 pcs</p>	 <p>1 pc</p>	 <p>300mm</p> <p>4 pcs</p>			

Installation of Cams and Pins

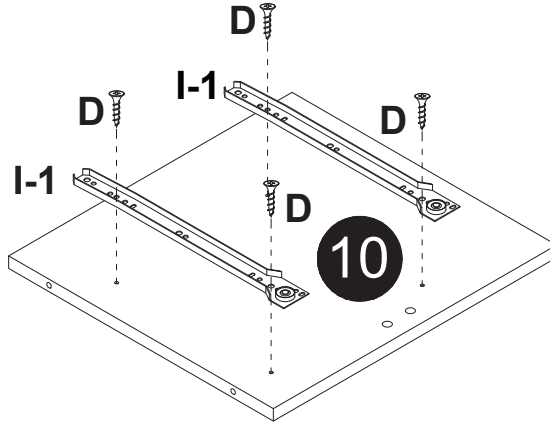
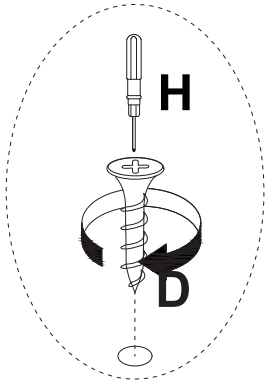
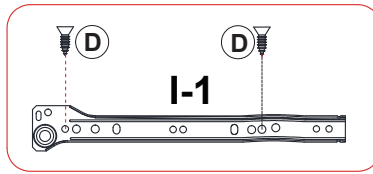
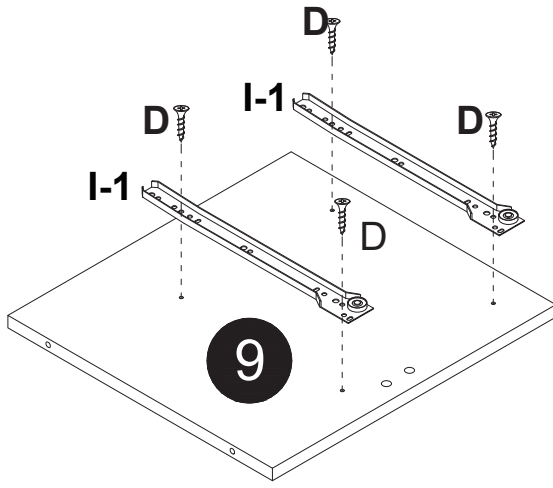
Step 1-2: Align the plastic part with the mounting hole and press it in. If you can't press it in, loosen the screw counter clockwise or completely remove the screw from the plastic part and try again.
Step 3-4: After pressing the plastic part into place, use a screwdriver to tighten the screw clockwise.



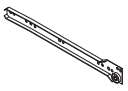


Screw the pin into the hole. Set the cams correctly by aligning the head of the cams with the lock pins. Lock the cam by turning the cam head with a screwdriver until it is tightened. Please do not use an electric screwdriver to assemble the unit.

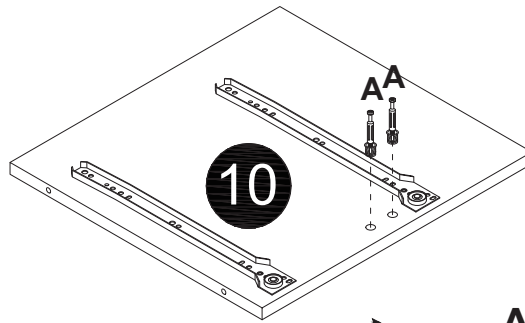
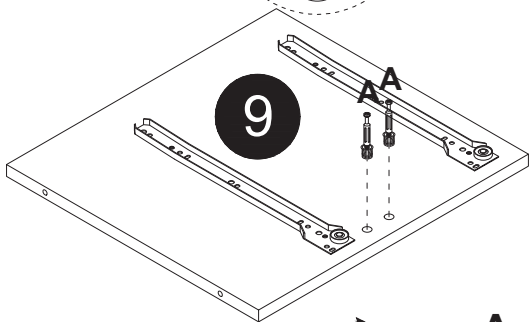
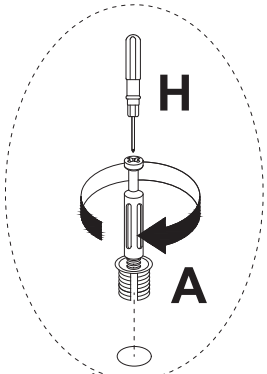


1



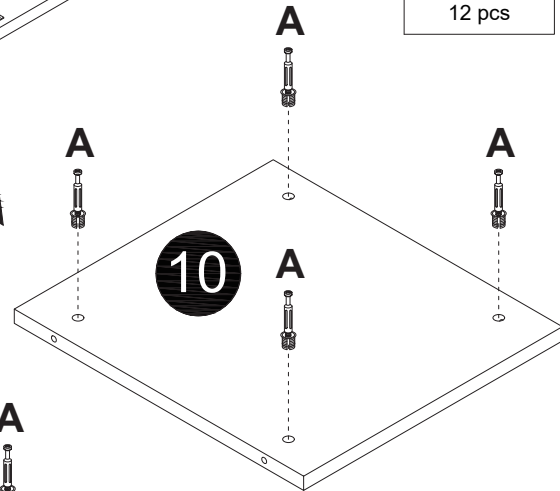
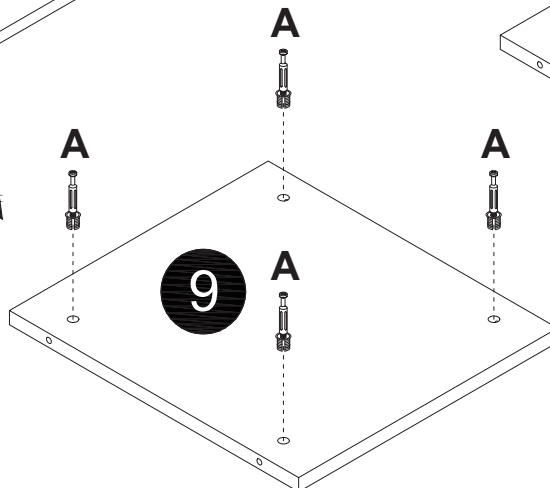
D

Ø3.5x14mm
8 pcs
H

1 pc
I-1

L300mm
4 pcs


2



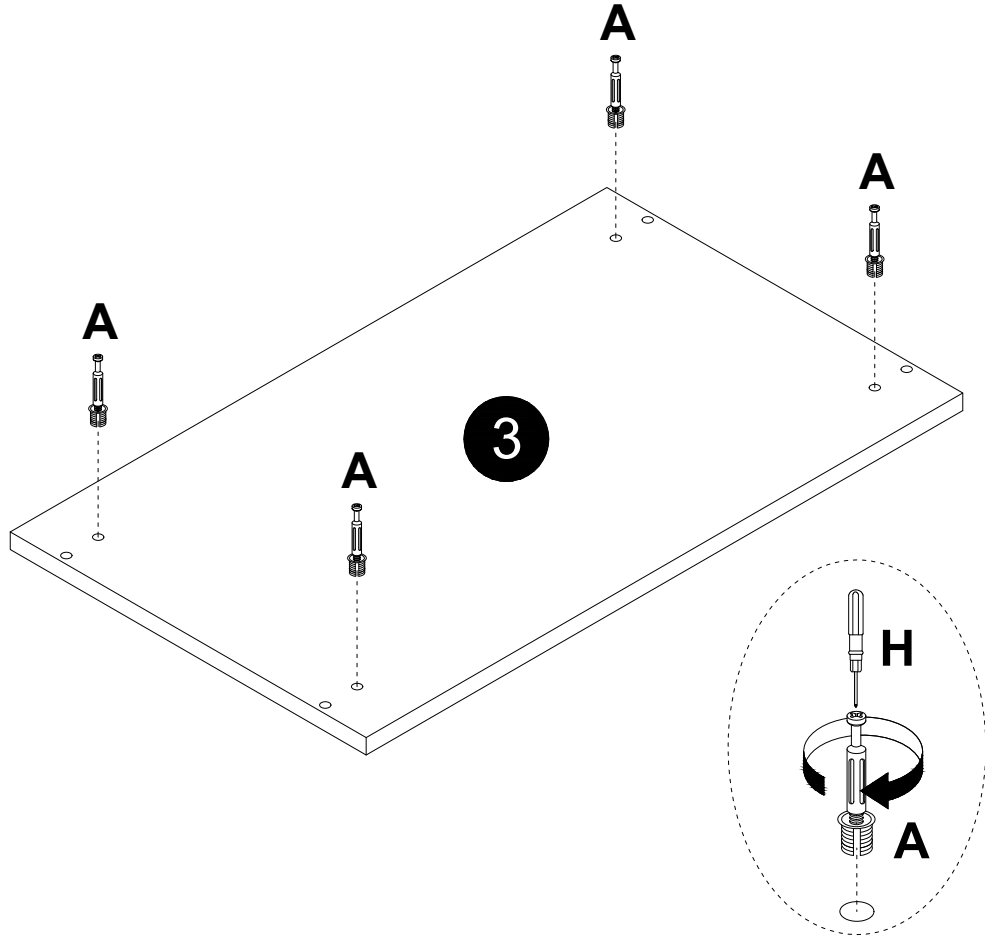
Rotate 180


Rotate 180



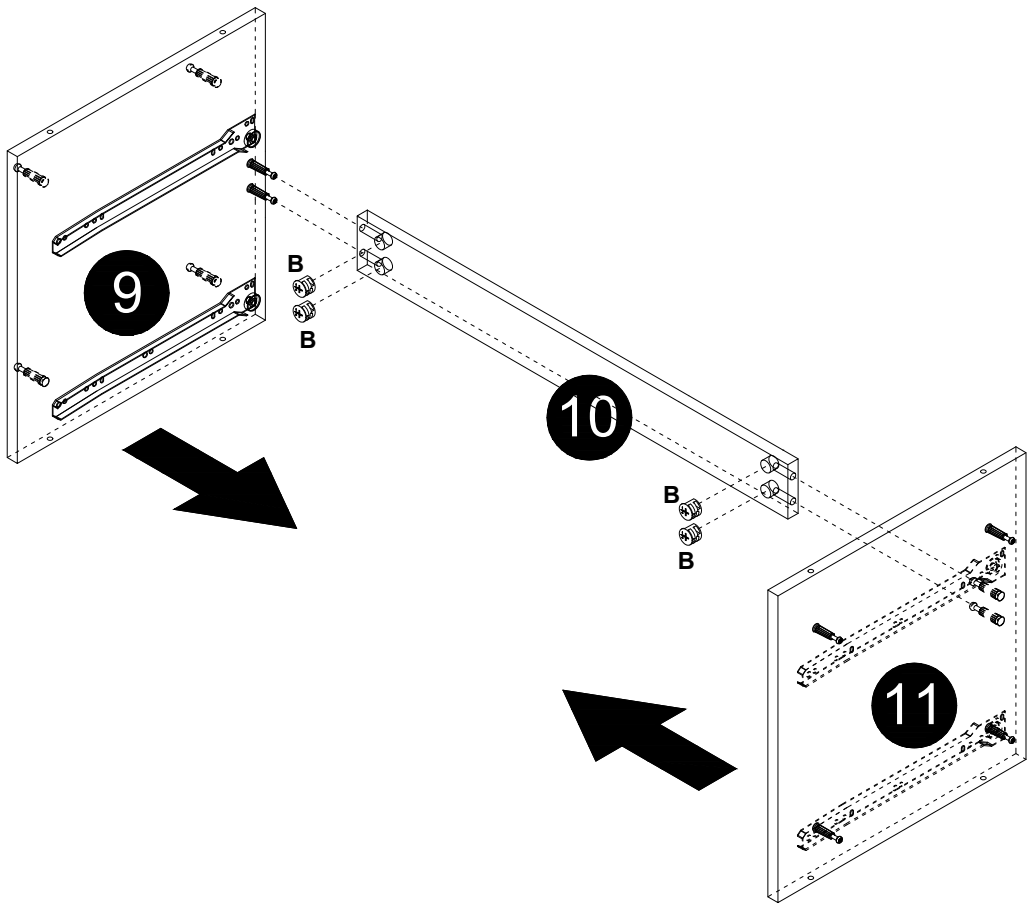
A

Ø6x40mm
12 pcs

3



A

Ø6x40mm
4 pcs

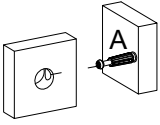
4



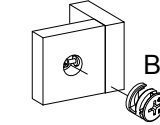
B

Ø15x12mm
4 pcs

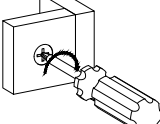
Step 1



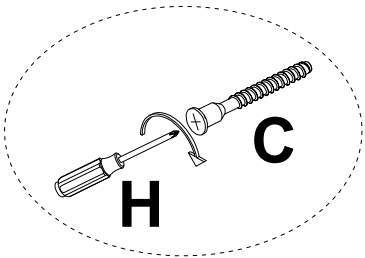
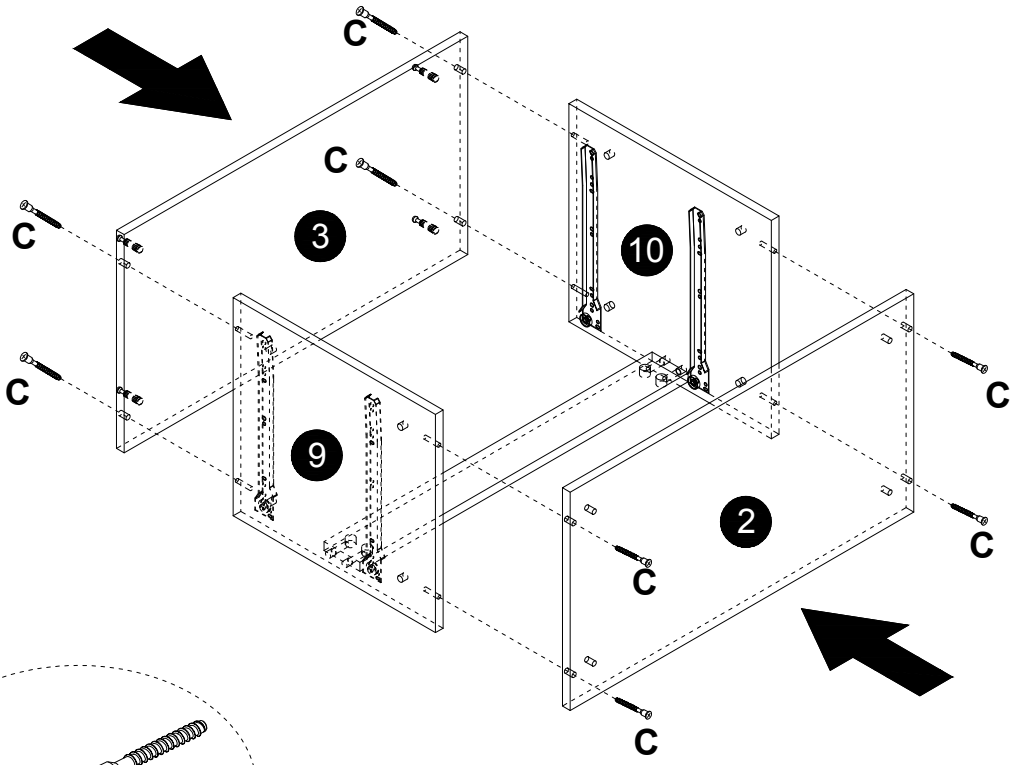
Step 2




Step 3

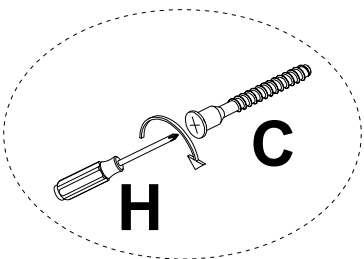
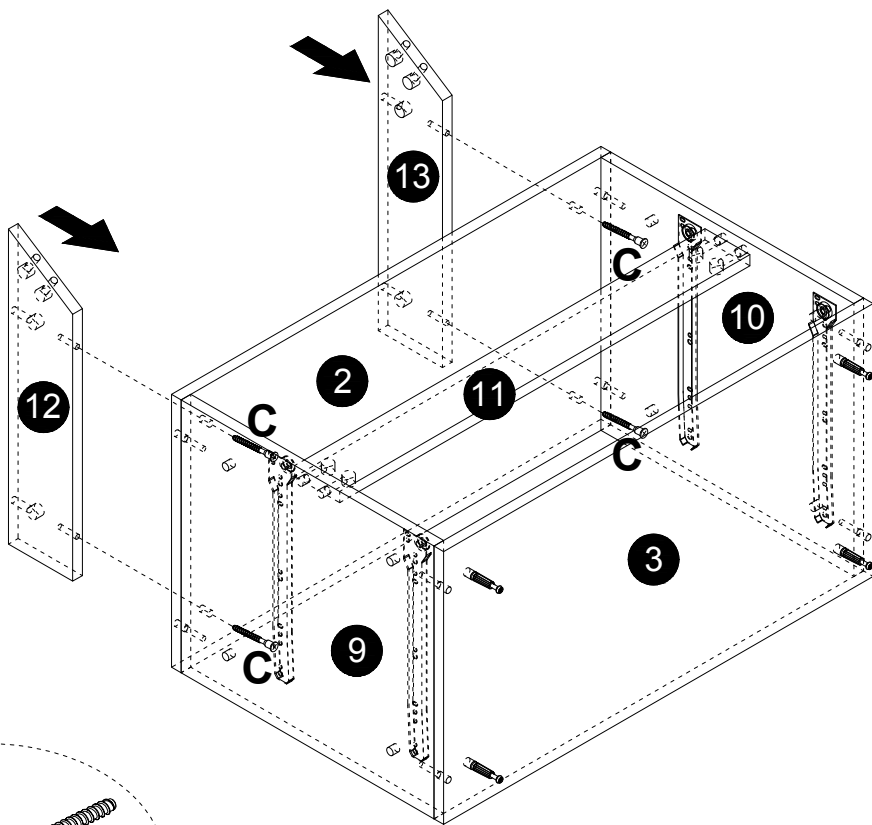



5



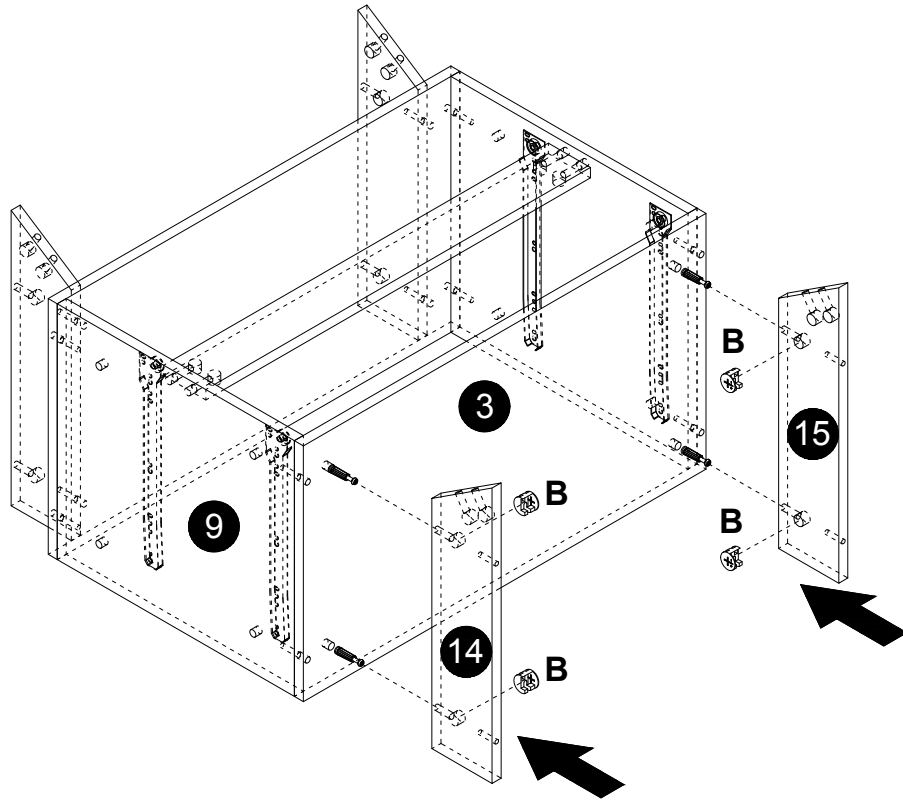
C

Ø7x38mm
8 pcs

6



C

Ø7x38mm
4 pcs

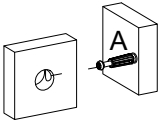
7



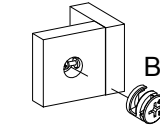
B

Ø15x12mm
4 pcs

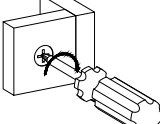
Step 1



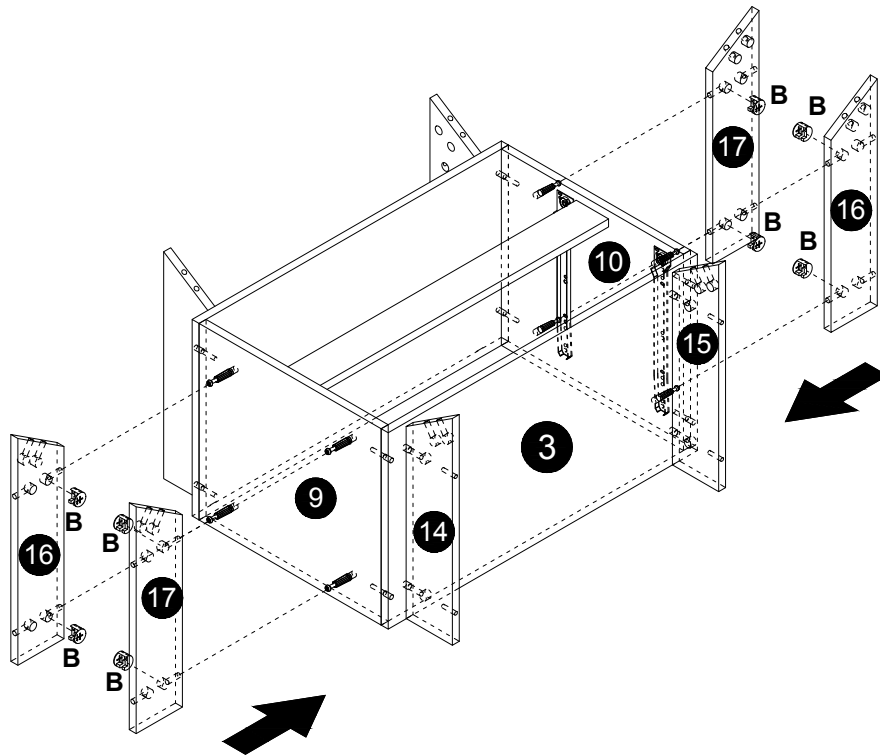
Step 2



Step 3



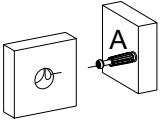
8



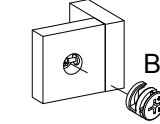
B

Ø15x12mm
8 pcs

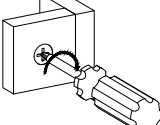
Step 1



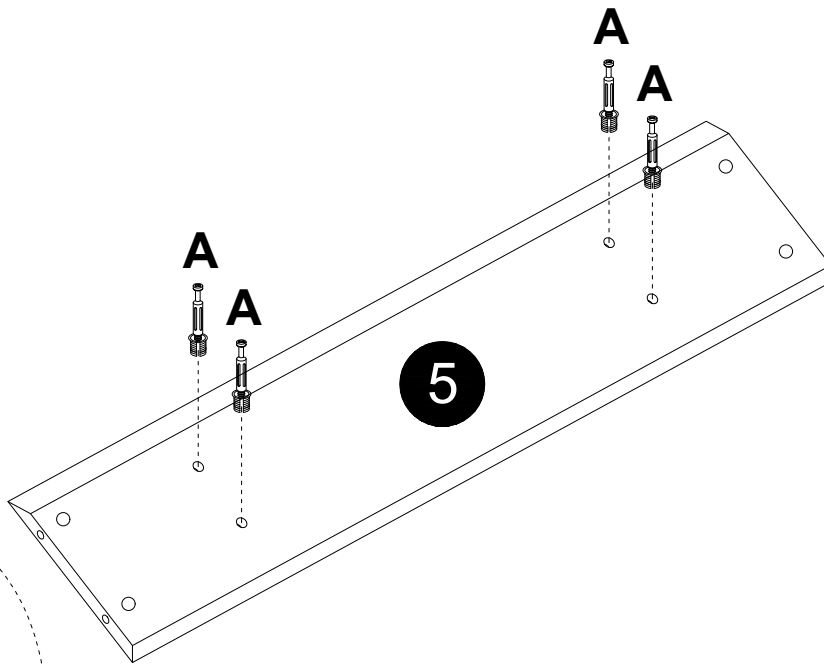
Step 2




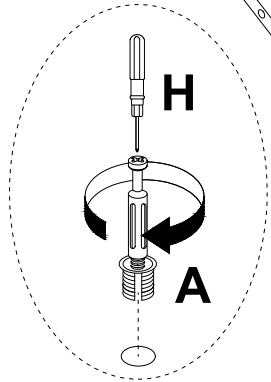
Step 3



9

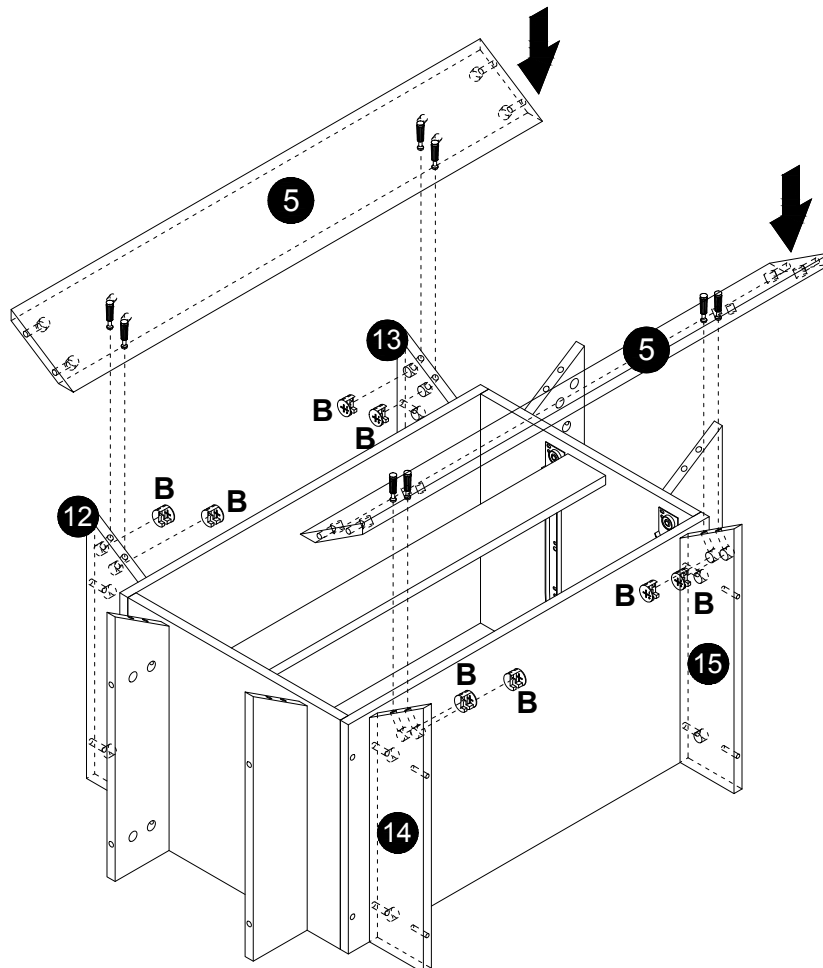


A

Ø6x40mm
8 pcs



X2

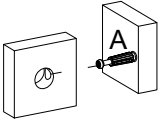
10



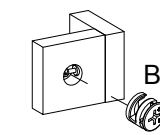
B

Ø15x12mm
8 pcs

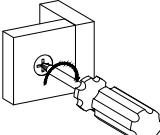
Step 1



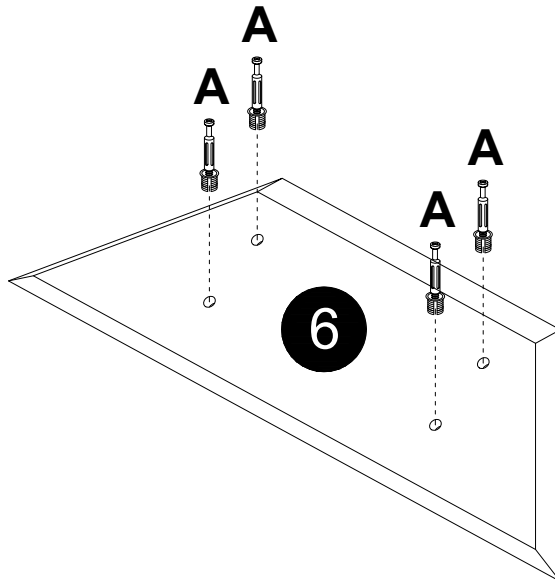
Step 2




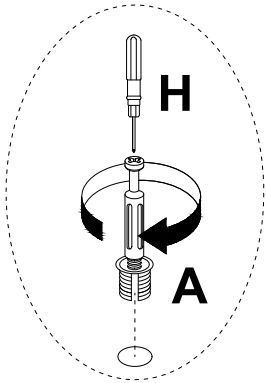
Step 3



11

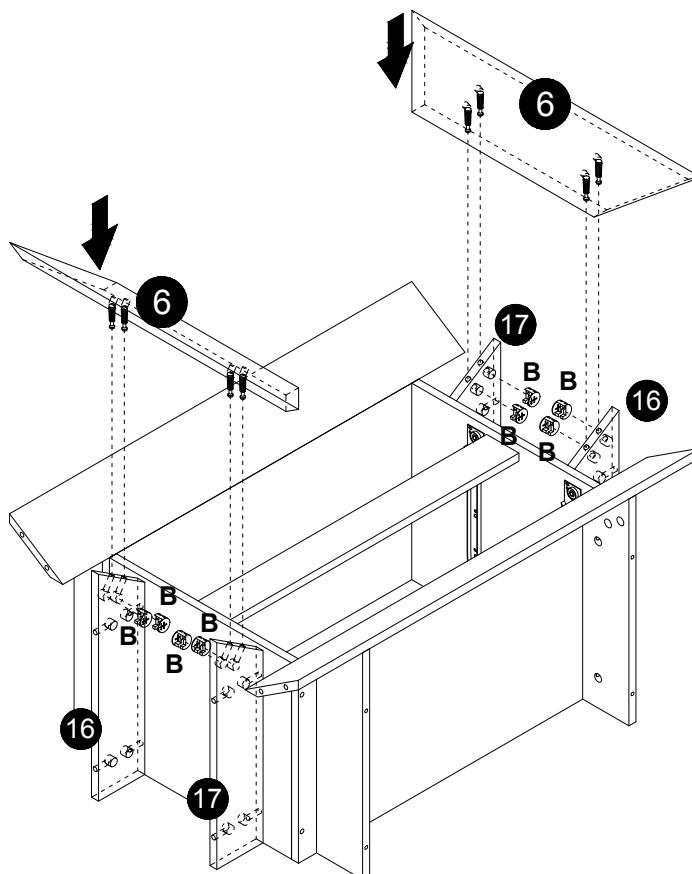


A

Ø6x40mm
8 pcs



X2

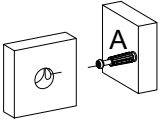
12



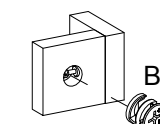
B

Ø15x12mm
8 pcs

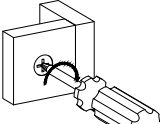
Step 1



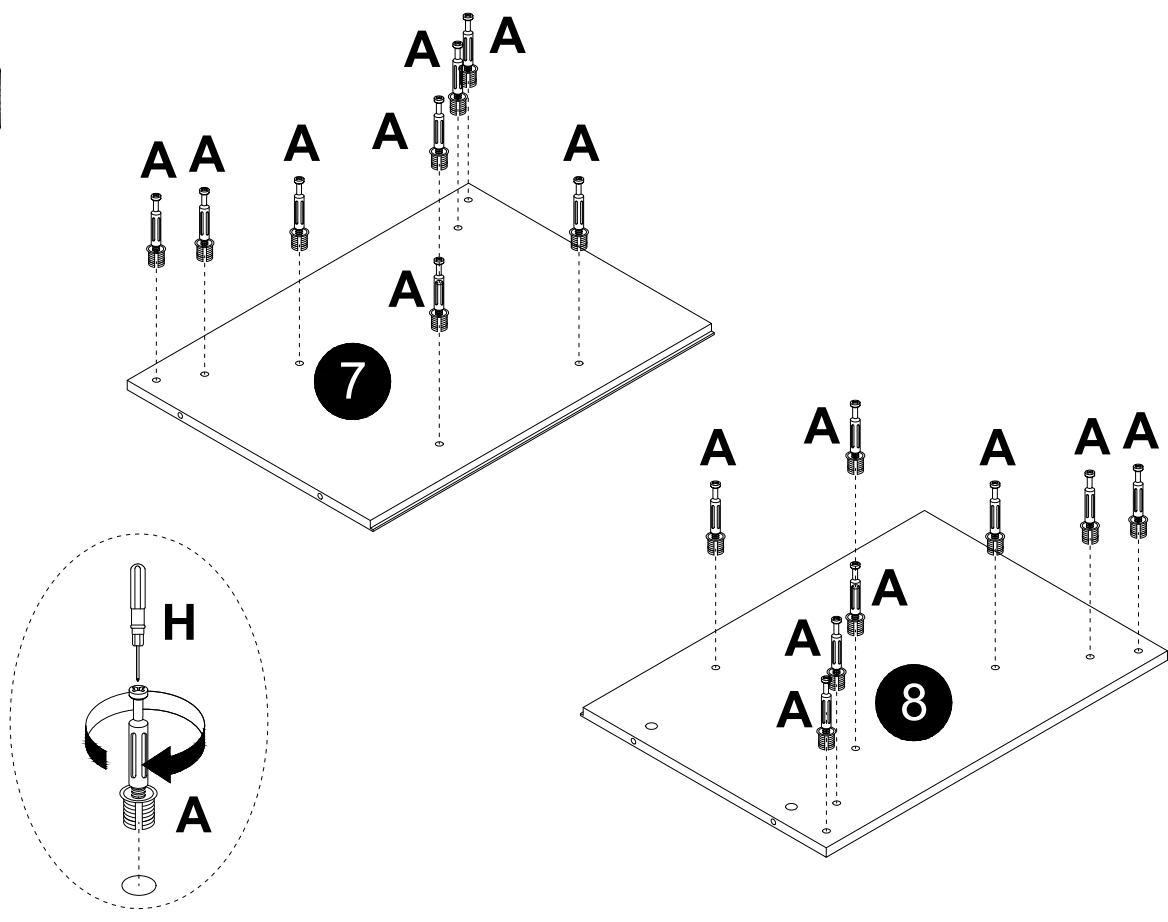
Step 2




Step 3

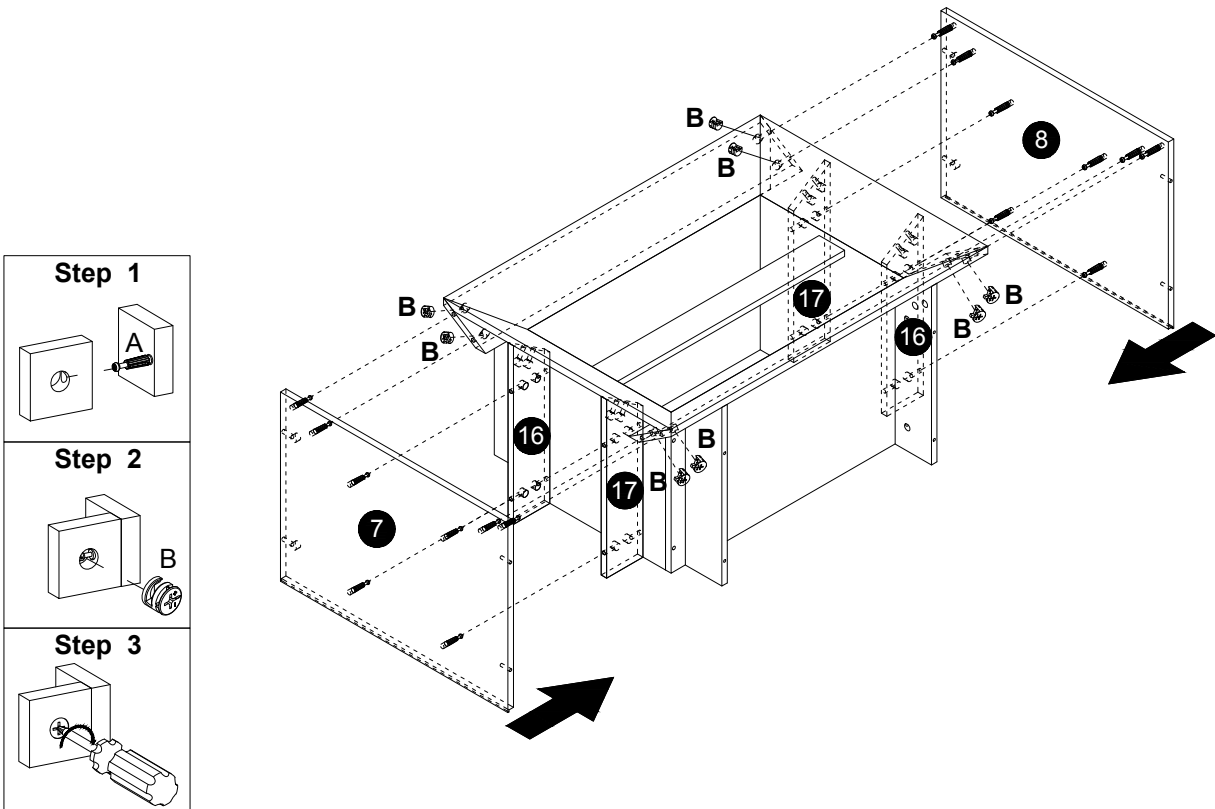


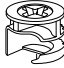
13



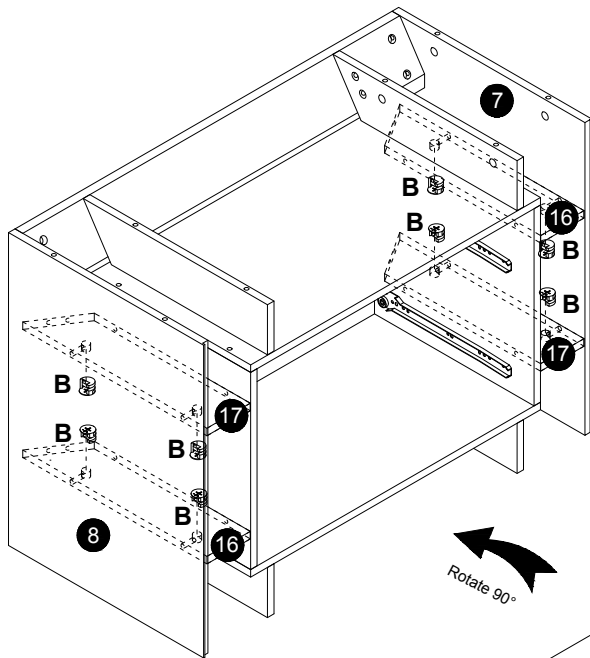
A

Ø6x40mm
16 pcs

14



B

Ø15x12mm
8 pcs

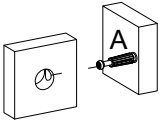
15



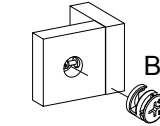
B

Ø15x12mm
8 pcs

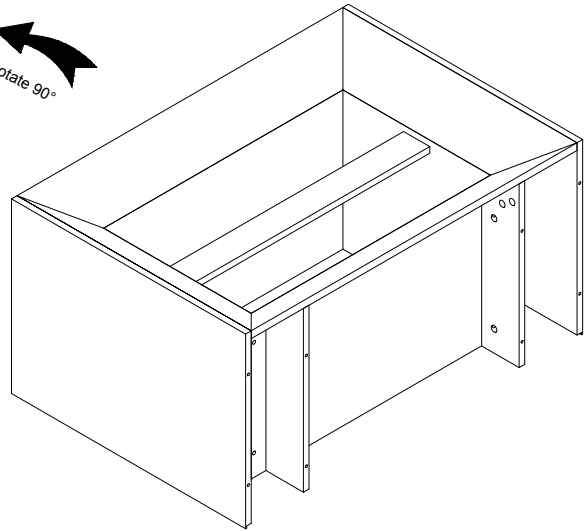
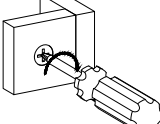
Step 1



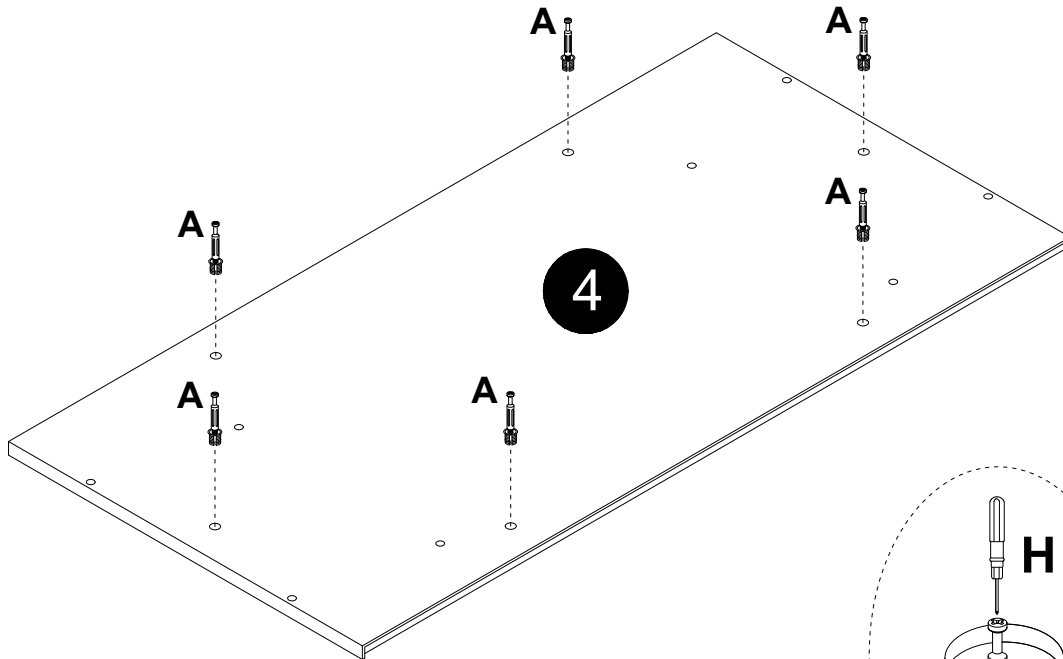
Step 2




Step 3

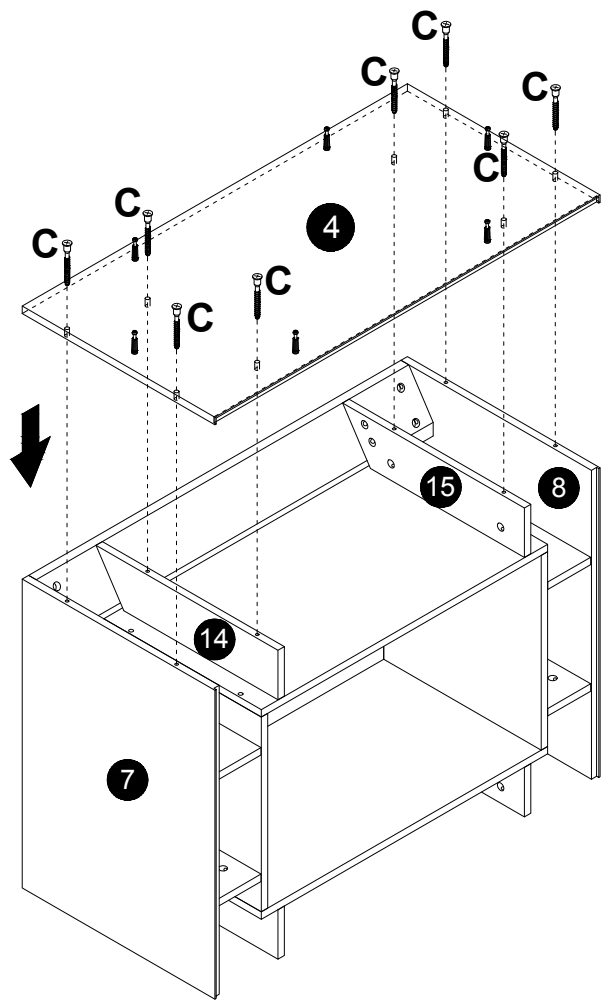



16

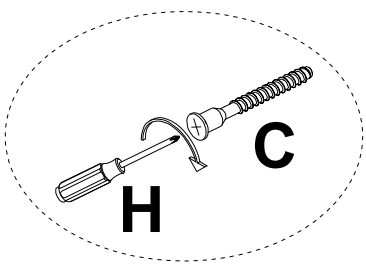


A

Ø6x40mm
6 pcs

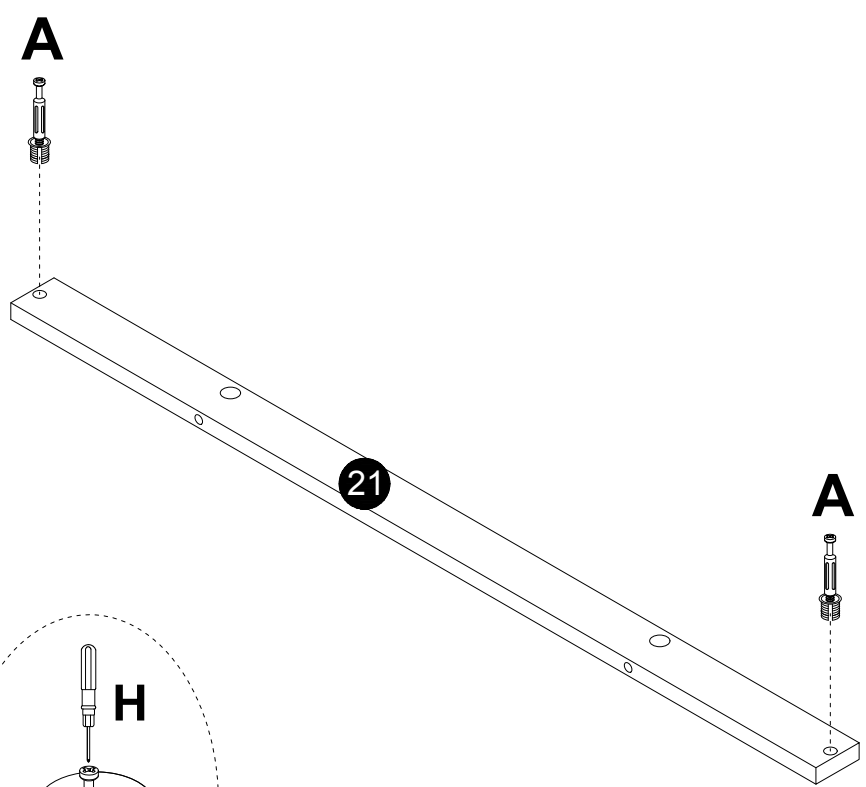
17




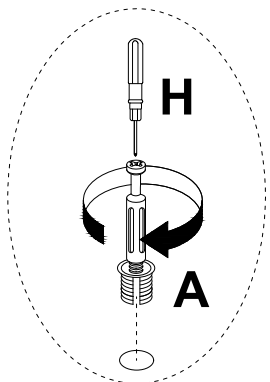
C

Ø7x38mm
8 pcs



18



A

Ø6x40mm
4 pcs

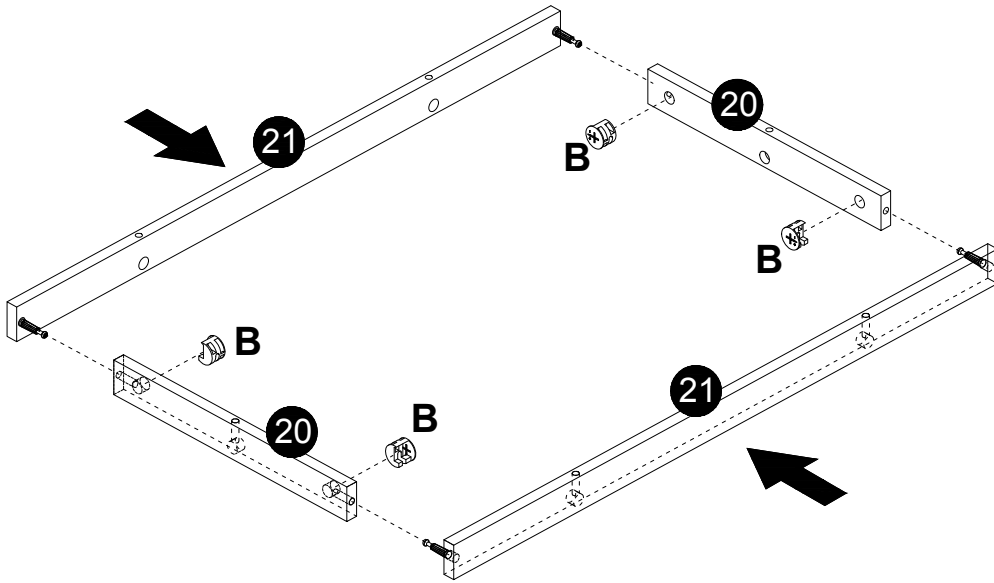


X2

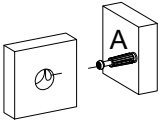
19

B

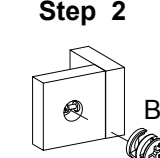
Ø15x12mm
4 pcs



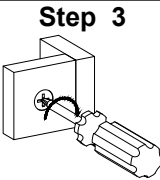
Step 1



Step 2



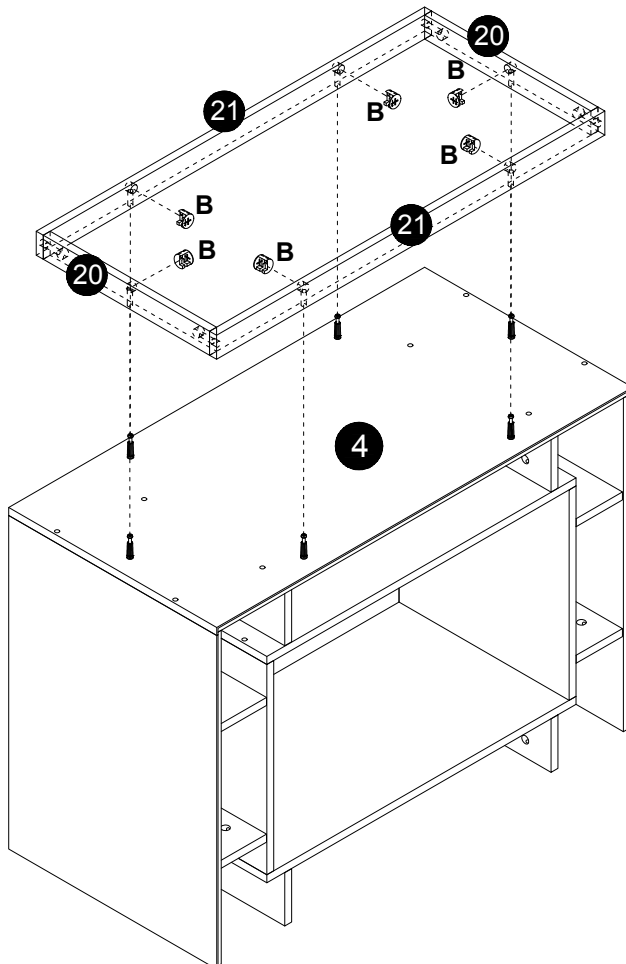
Step 3



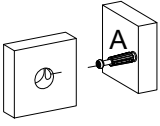
20

B

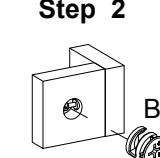
Ø15x12mm
6 pcs



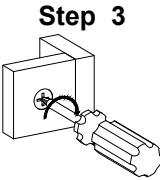
Step 1



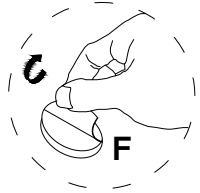
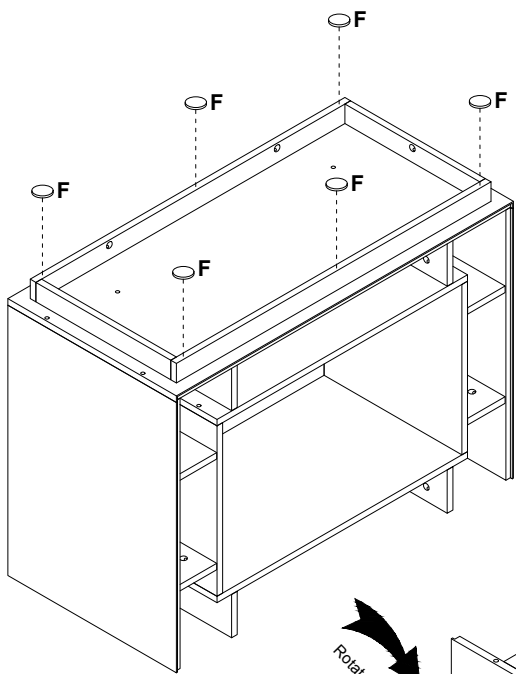
Step 2



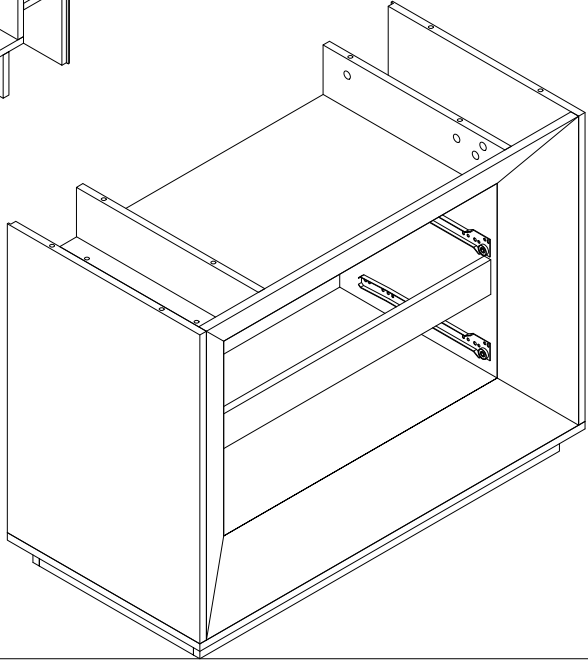
Step 3




21

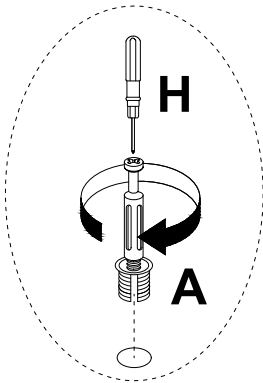
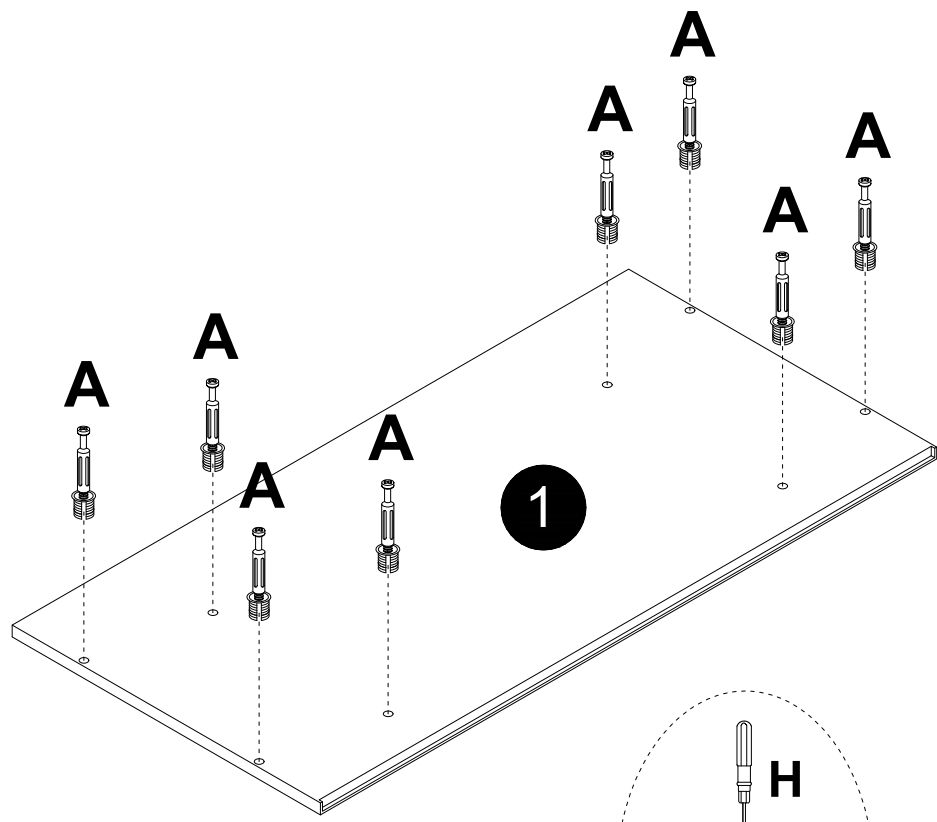



To prevent the table from scratching the floor, please peel off the tape on the #F and tape them to the corners of the table before use.



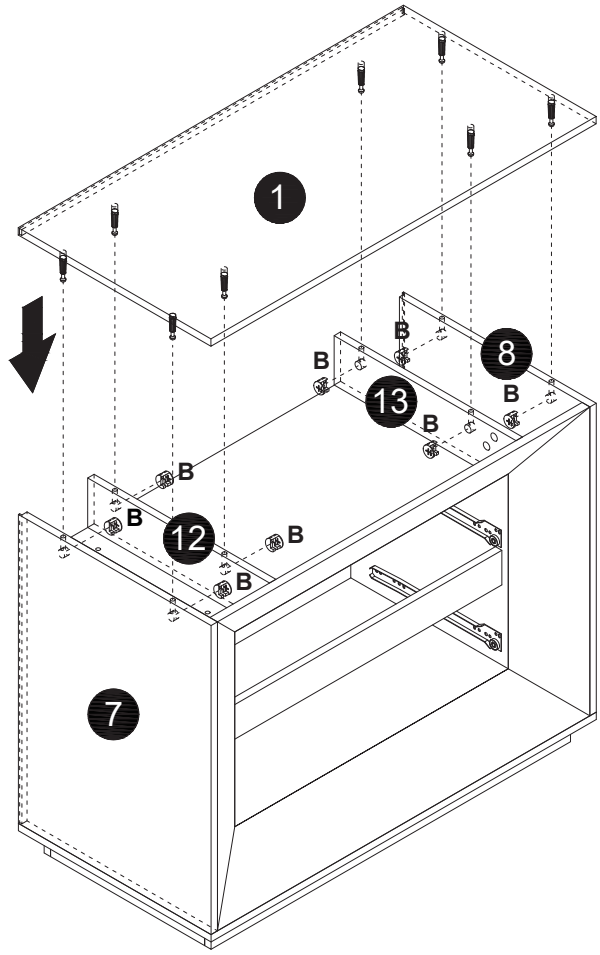
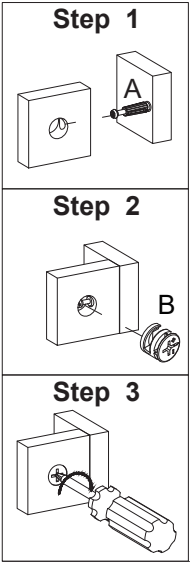
F

Ø15x5mm
6 pcs

22



A

Ø6x40mm
8 pcs

23

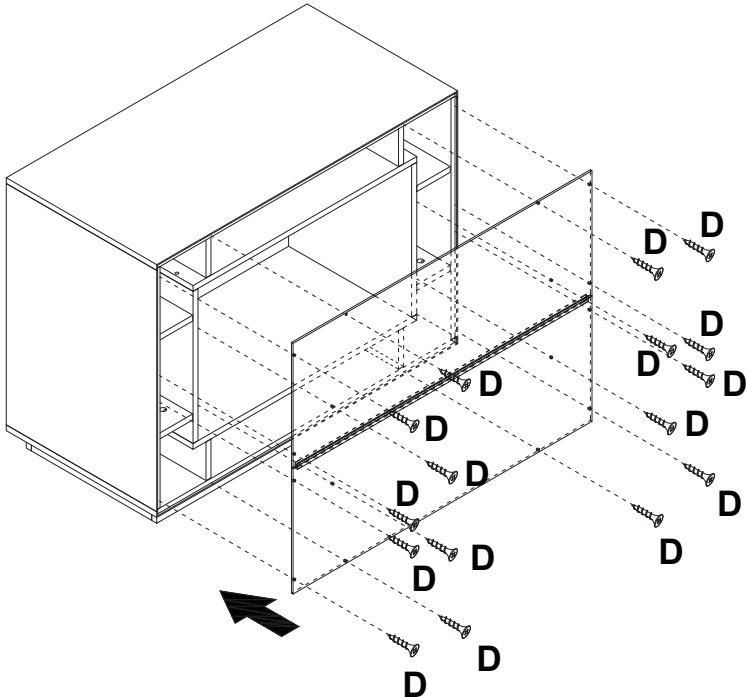
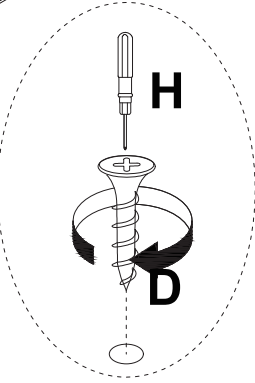
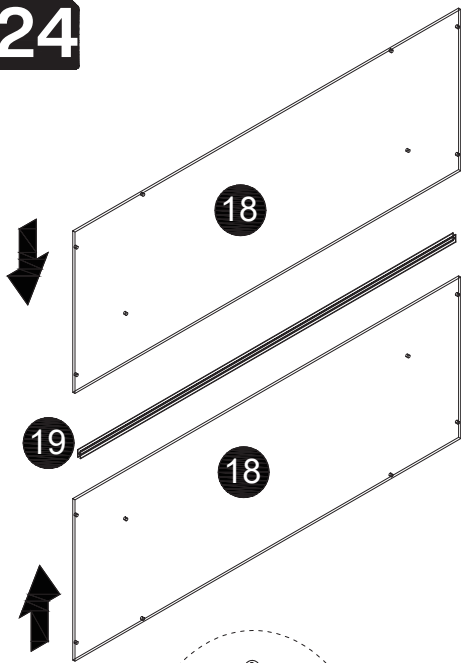


B




Ø15x12mm
8 pcs

24

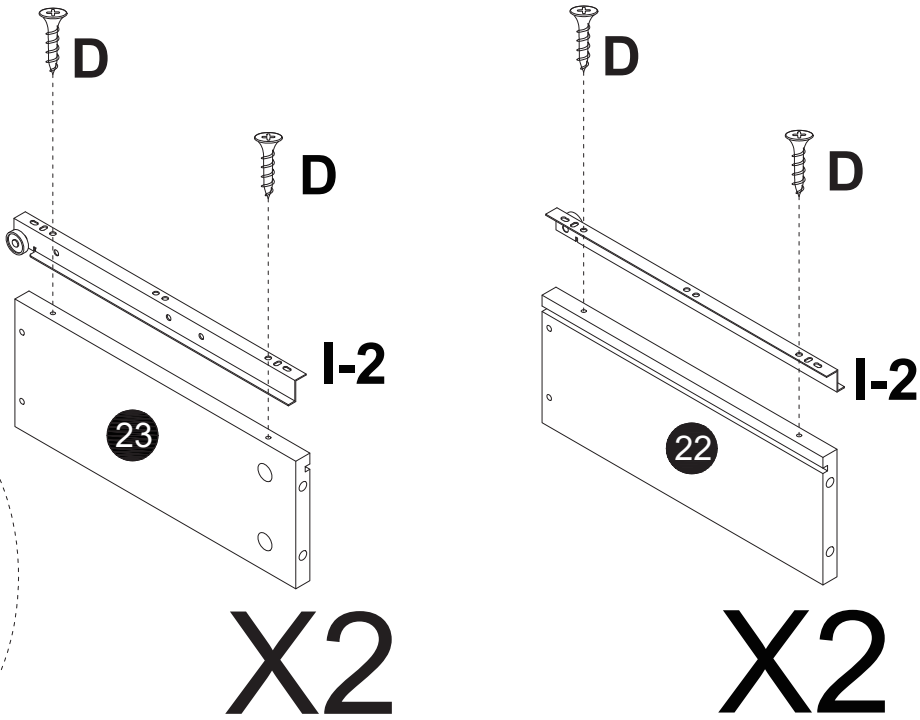
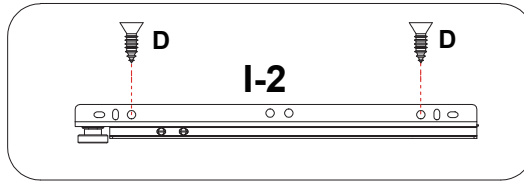



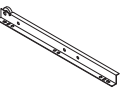
D



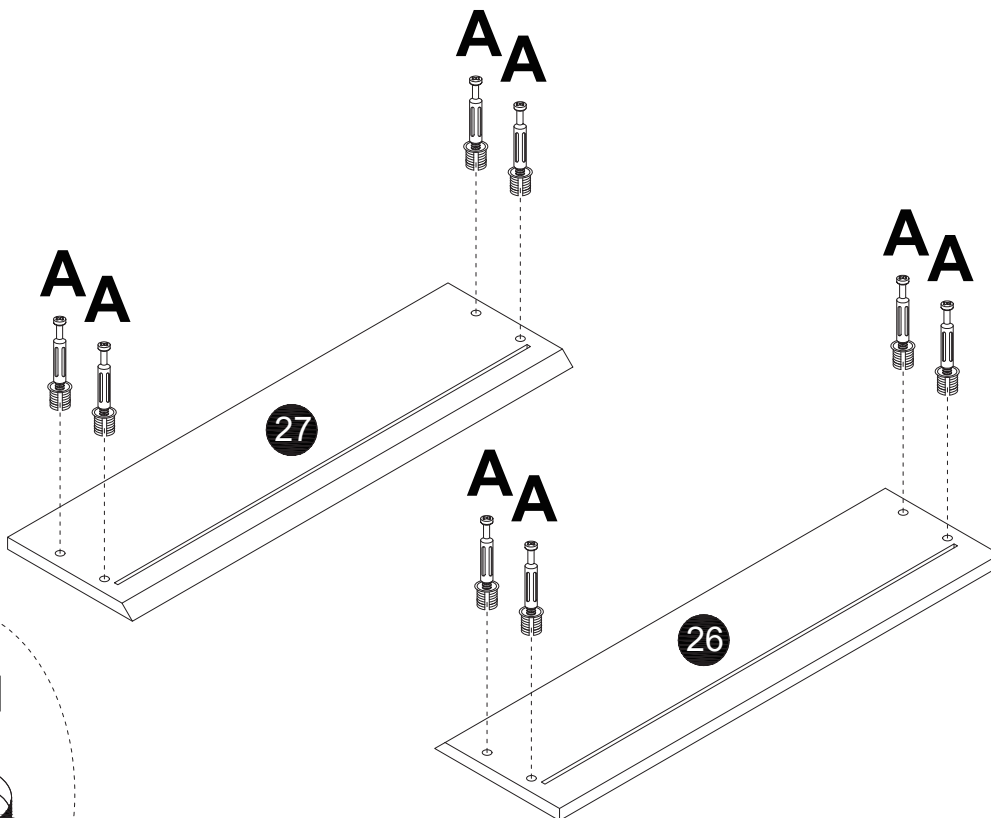
Ø3.5x14mm
16 pcs


25



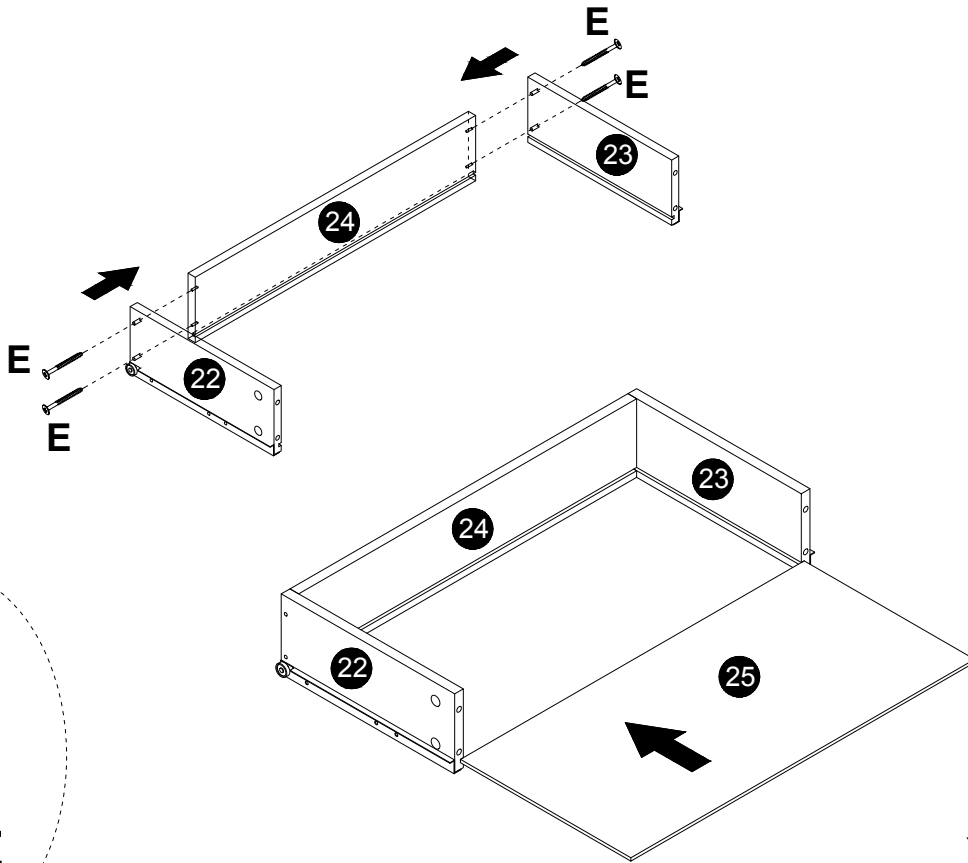
D

Ø3.5x14mm
8 pcs
I-2

L300mm
4 pcs


26

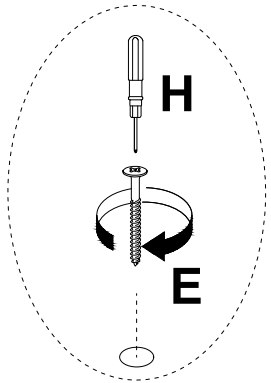


A

Ø6x40mm
8 pcs

27

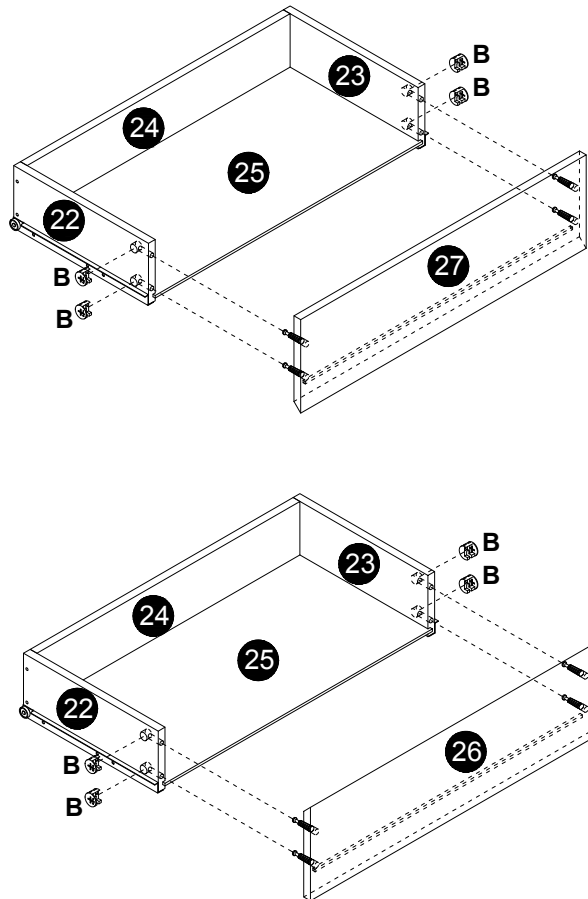


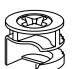
E

Ø3.5x30mm
8 pcs



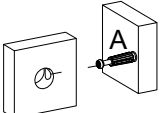
X2

28

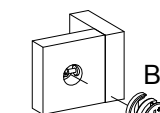


B

Ø15x12mm
8 pcs

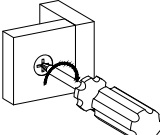
Step 1



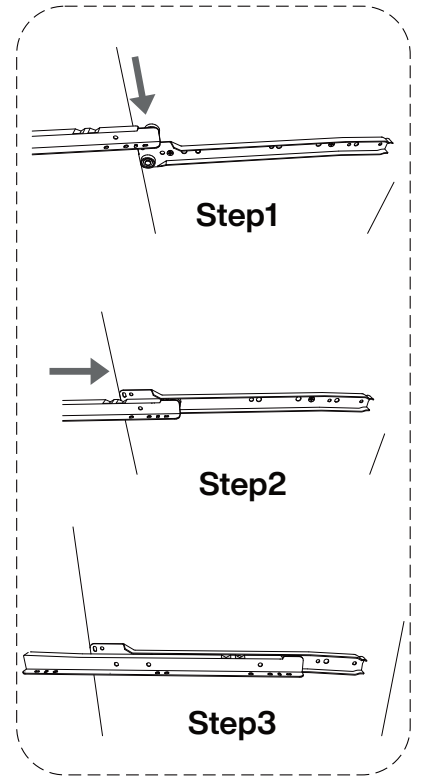
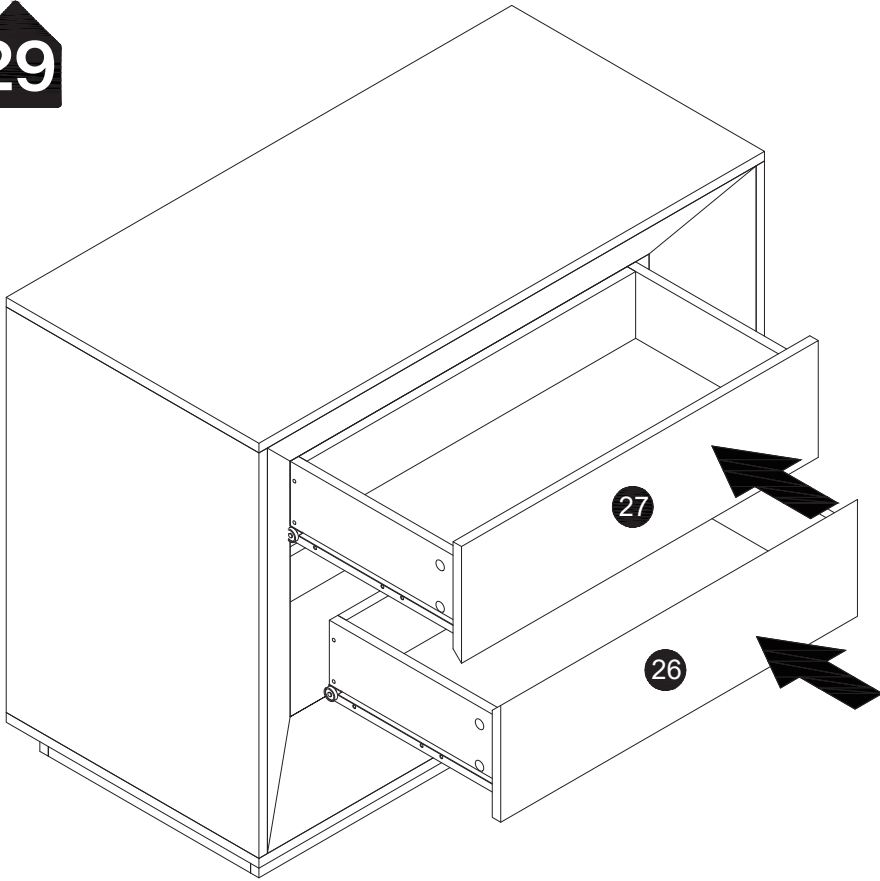
Step 2



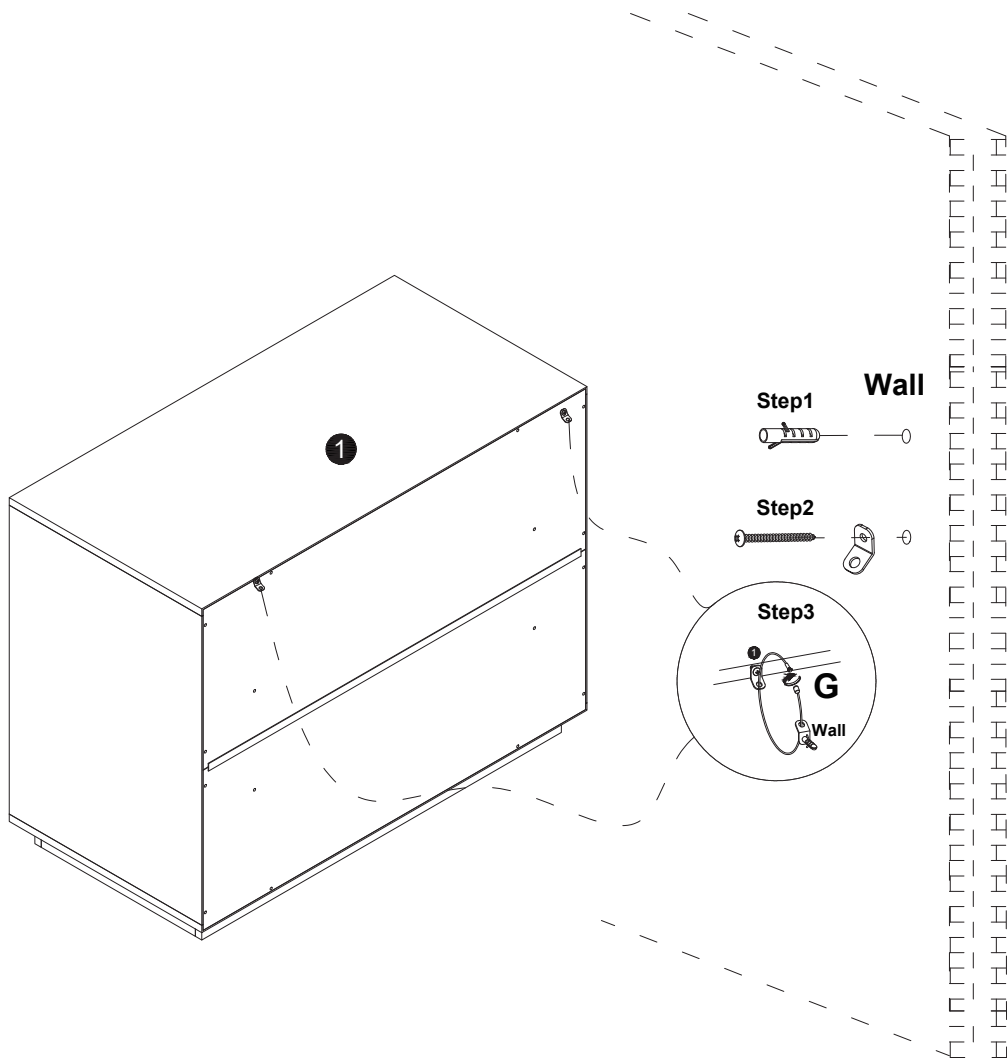
Step 3



29



30



Thank you for your support!

