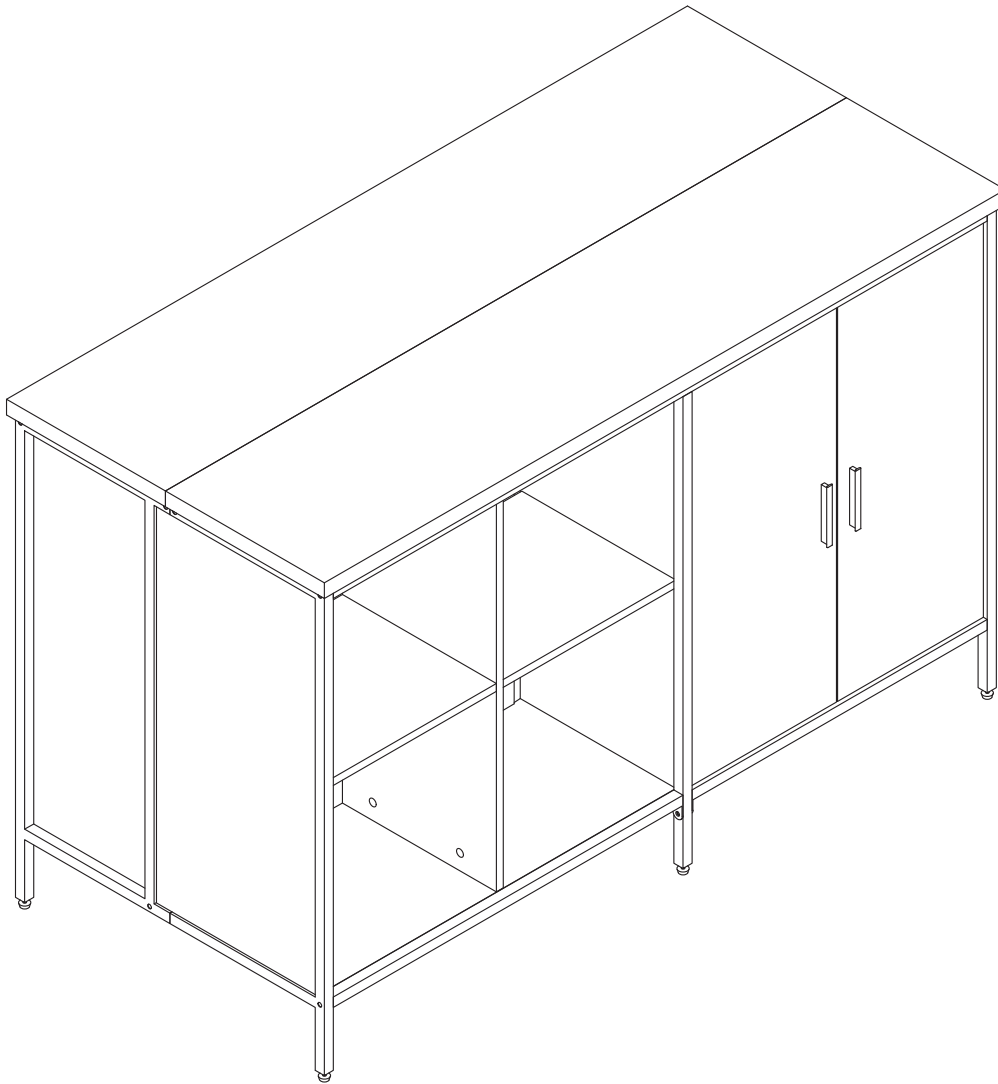


Assembly Instructions

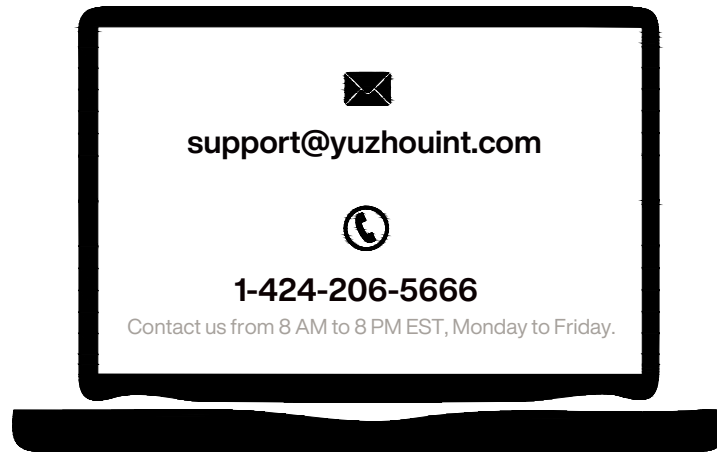


Kitchen Island

Model No.
HOGA-F2390

Contact Us

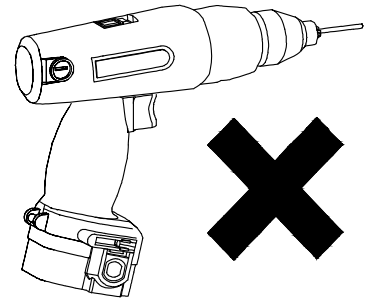
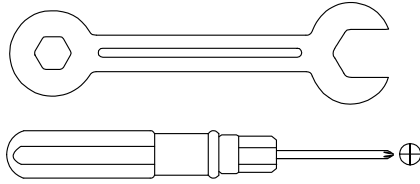
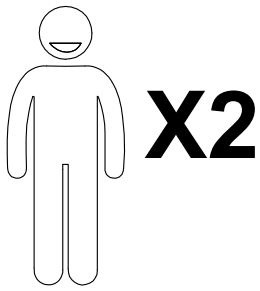
We're here to help you.



Your satisfaction is our top priority. If you encounter any issues with this product, such as missing or damaged parts, we're here to help. Please retain the original packaging and take photos of the packaging and the product, then contact us as soon as possible.

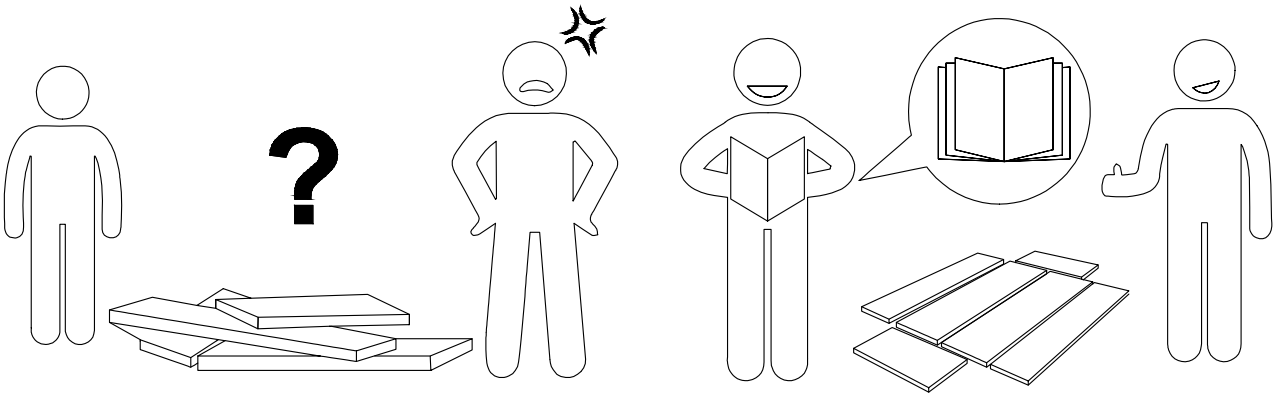
Warm Tips

1. Carefully read these instructions and keep them for future reference.
2. Check the parts list and confirm everything's there before starting assembly.
3. When assembling, put all parts on a soft, smooth surface like a carpet to avoid scratches.
4. Don't fully tighten screws until all parts are confirmed in place to avoid misalignment.



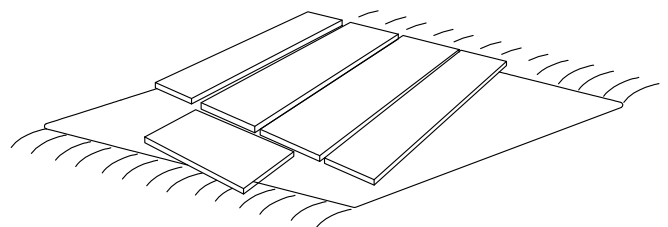
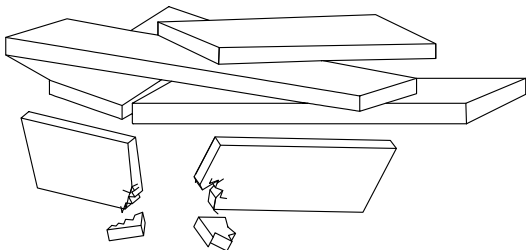
We recommend using hand tools for assembly.

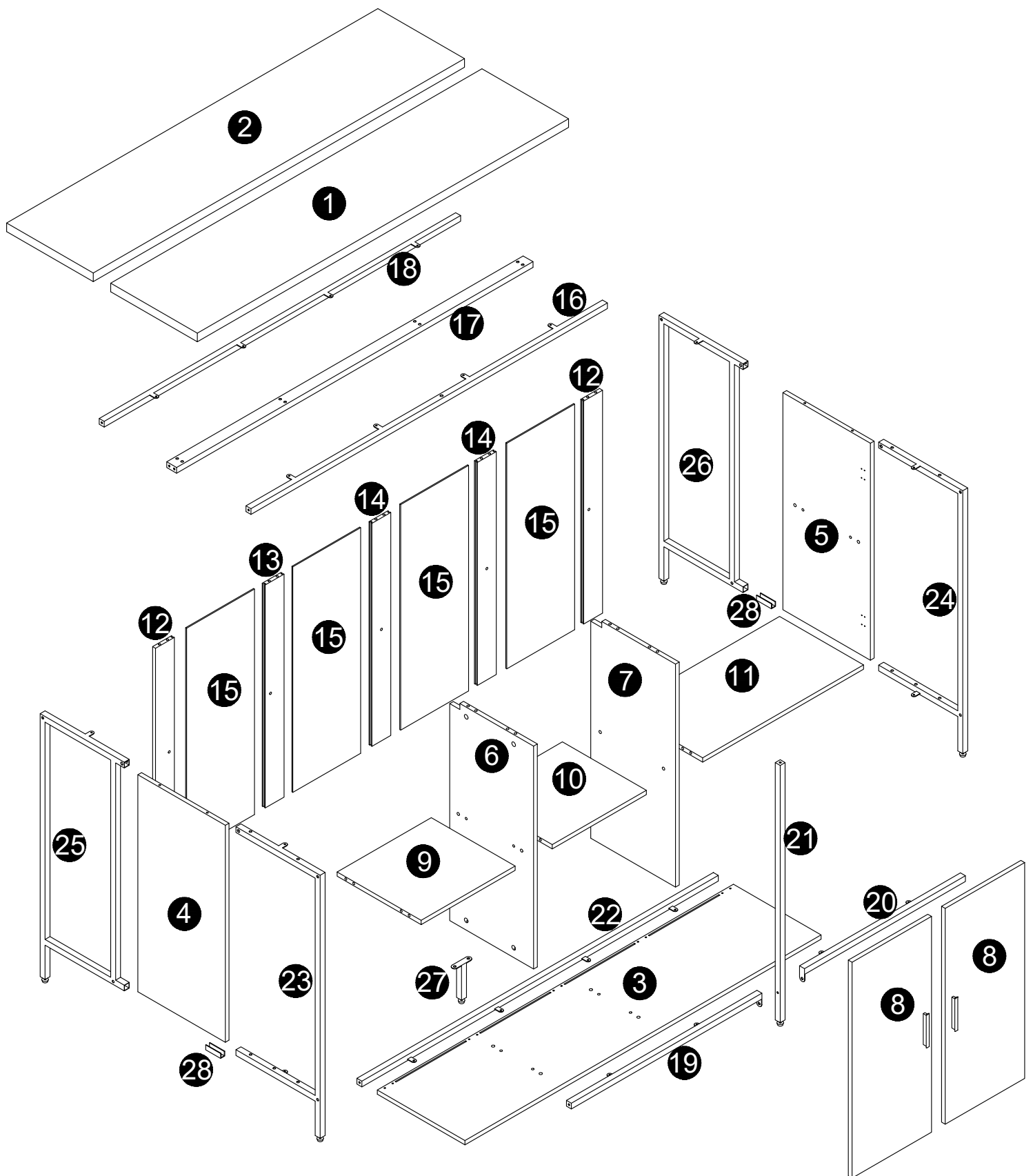
If an electric screwdriver is used, reduce power and torque to avoid damage to the product.



AVOID SCRATCHES

In order to avoid scratching, this furniture should be assembled on a soft surface, such as a rug.

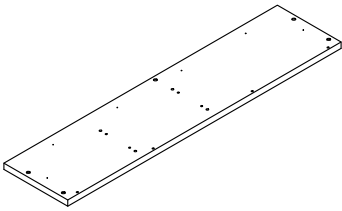
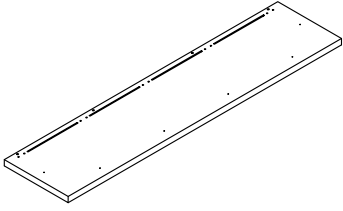
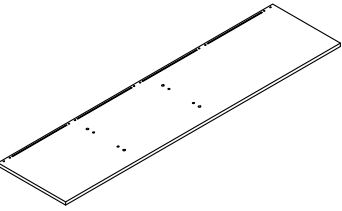
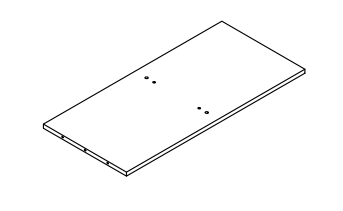
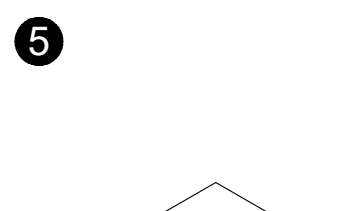
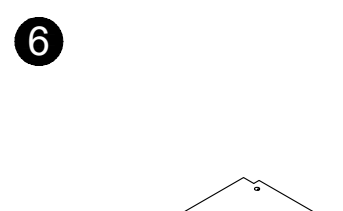




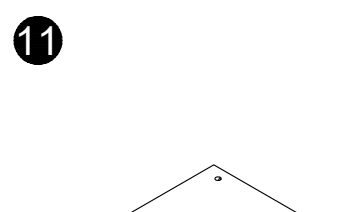
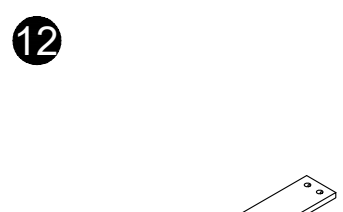

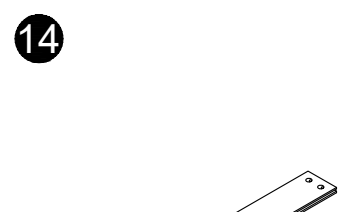
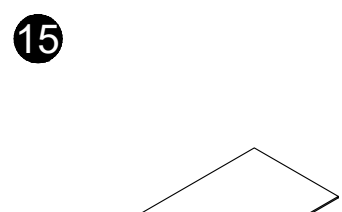





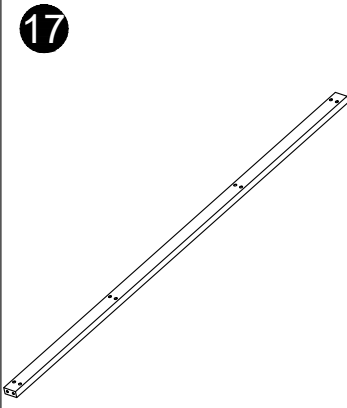
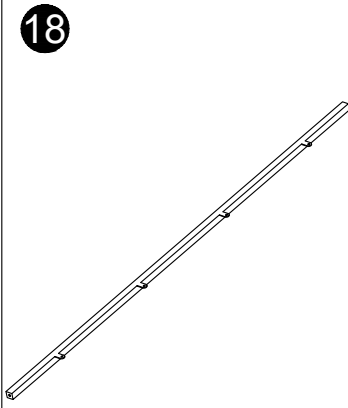
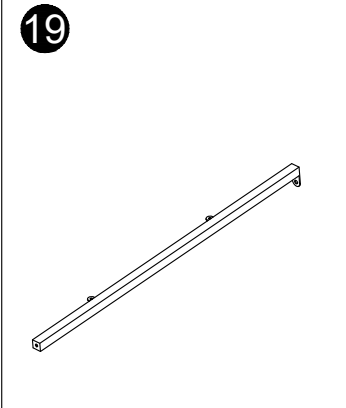
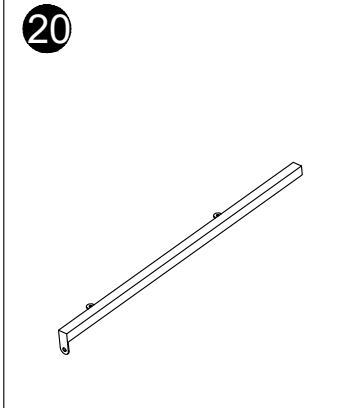
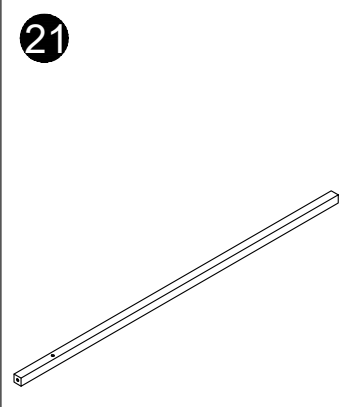
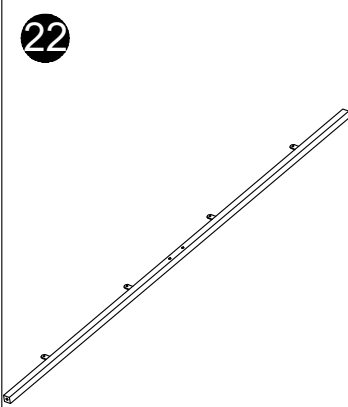
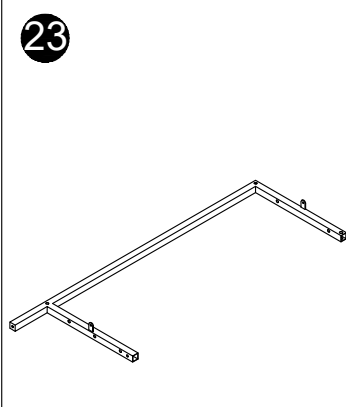
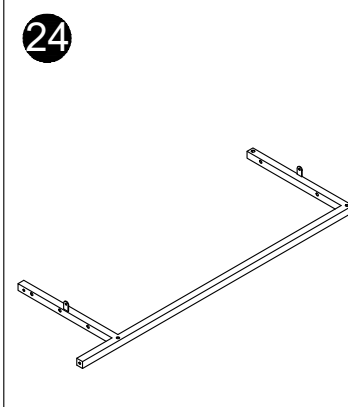
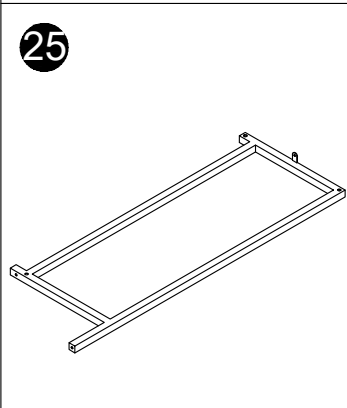
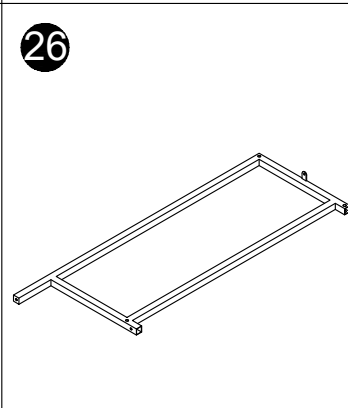
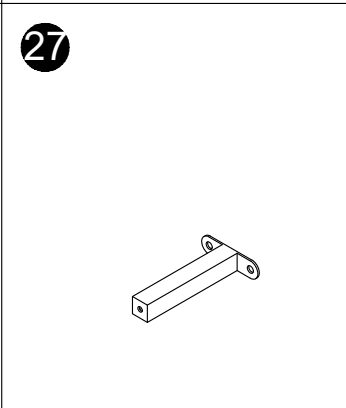
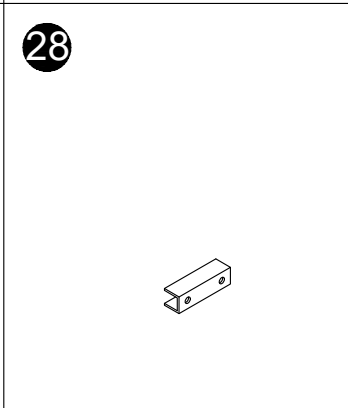
⚠ Caution

Make sure all parts are included. Most board parts are labeled or stamped on the raw edge. Contact us for a free replacement if you encounter any damaged or missing parts.

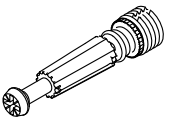
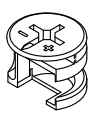
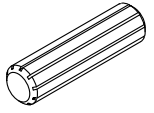
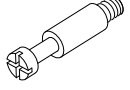
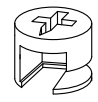
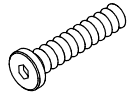
Parts List

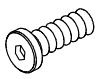
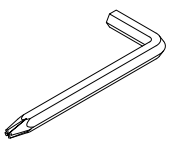
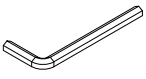
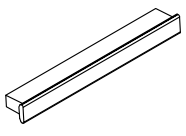
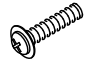

1  1pc	2  1pc	3  1pc	4  1pc
5  1pc	6  1pc	7  1pc	8  2 pcs
9  1pc	10  1pc	11  1pc	12  2 pcs
13  1pc	14  2 pcs	15  4 pcs	16  1pc


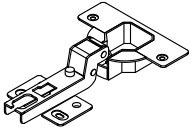
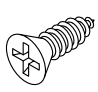
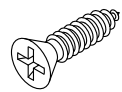
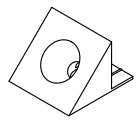
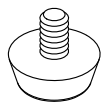
Parts List

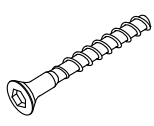
 <p>17</p>	 <p>18</p>	 <p>19</p>	 <p>20</p>
1pc	1pc	1pc	1pc
 <p>21</p>	 <p>22</p>	 <p>23</p>	 <p>24</p>
1pc	1pc	1pc	1pc
 <p>25</p>	 <p>26</p>	 <p>27</p>	 <p>28</p>
1pc	1pc	1pc	2 pcs

Hardware List

A	B	C	D	E	F
					
Ø6x40mm	Ø15x12mm	Ø8x30mm	Ø6x28mm	Ø12x10mm	M6x35mm
20 pcs	20 pcs	16 pcs	20 pcs	20 pcs	21 pcs

G	H	I	J	K	L
					
M6x12mm	M4	M3	114x17x11mm	M4x18	Ø21
8 pcs	1 pc	1 pc	2 pcs	4 pcs	33 pcs

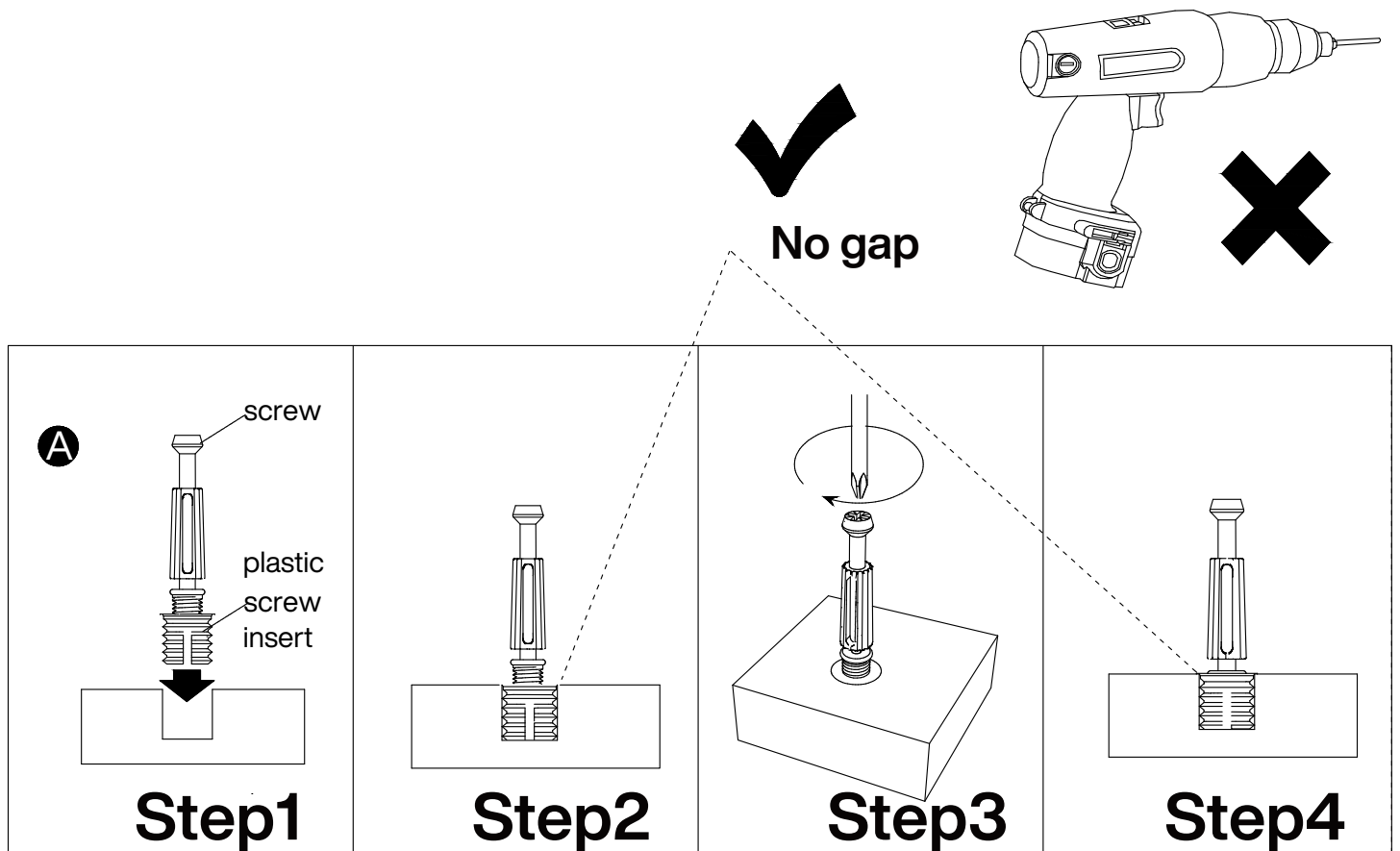
M	N	O	P	Q	R
					
		Ø3.5x14mm	Ø3x18mm	17x16x10.5mm	M6x15mm
1 pc	4 pcs	46 pcs	16 pcs	16 pcs	6 pcs

S					
					
Ø5x40mm					
15 pcs					

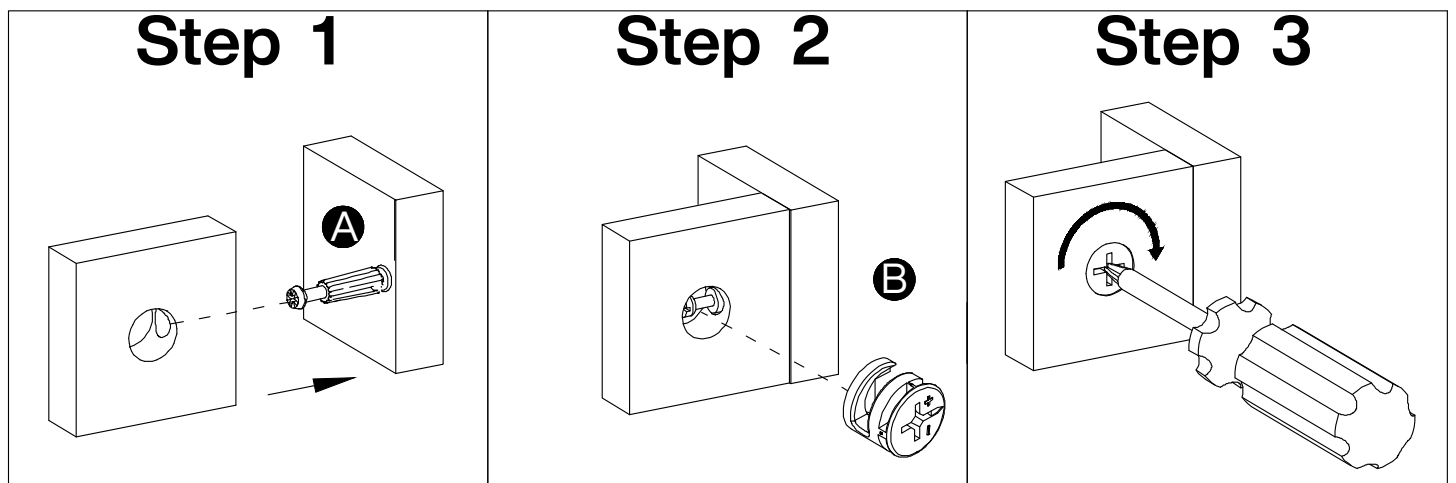
Installation of Cams and Pins

Step 1-2: Align the plastic part with the mounting hole and press it in. If you can't press it in, loosen the screw counter clockwise or completely remove the screw from the plastic part and try again.

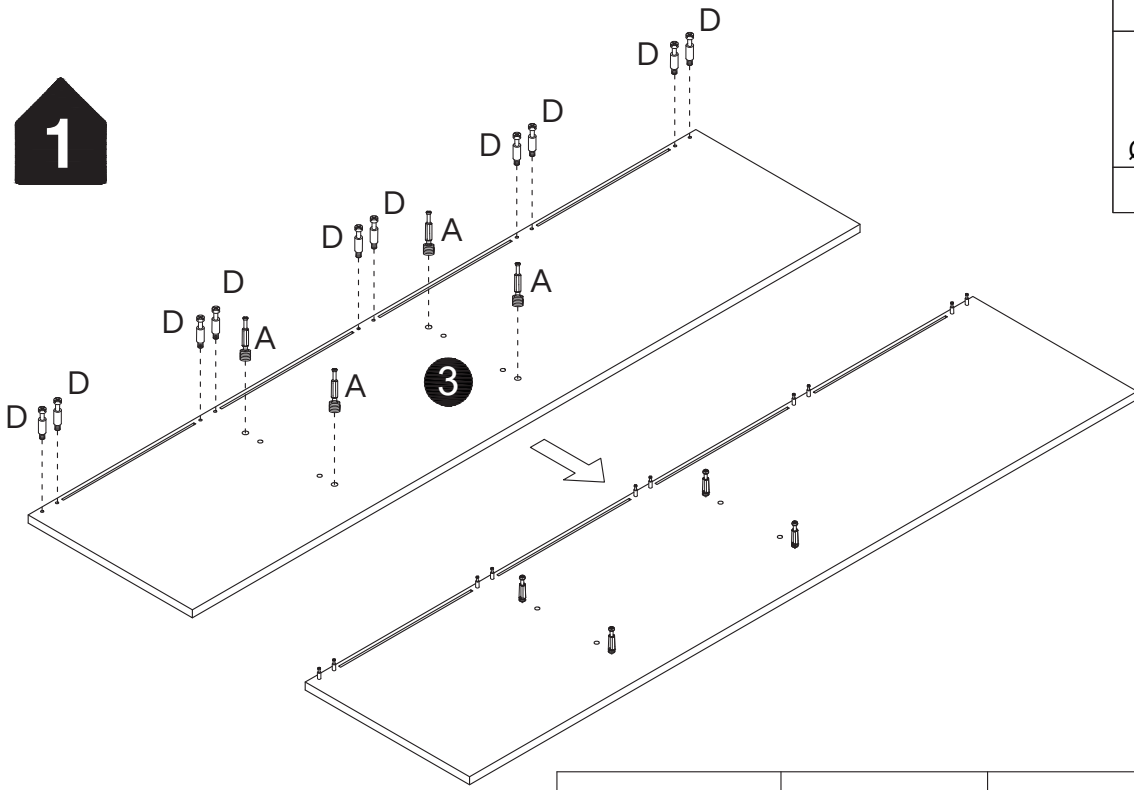
Step 3-4: After pressing the plastic part into place, use a screwdriver to tighten the screw clockwise.

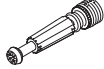
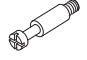


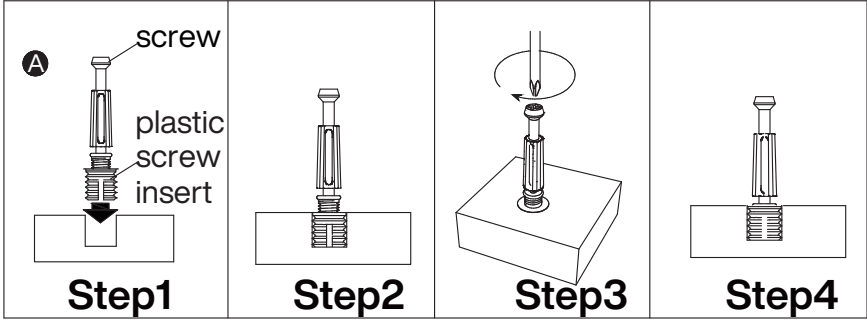
Screw the pin into the hole. Set the cams correctly by aligning the head of the cams with the lock pins. Lock the cam by turning the cam head with a screwdriver until it is tightened. Please do not use an electric screwdriver to assemble the unit.



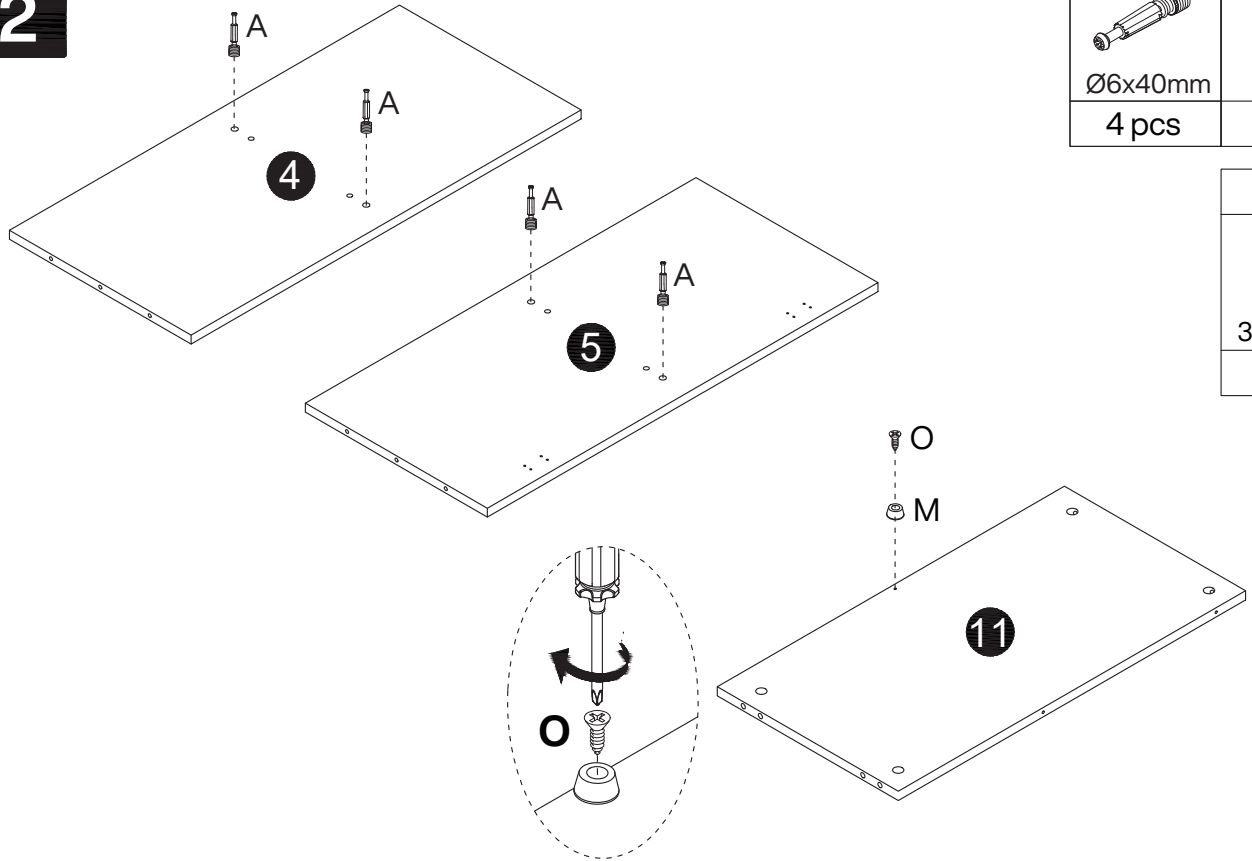
1

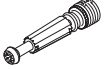




A	D
	
Ø6x40mm	Ø6x28mm
4 pcs	10 pcs



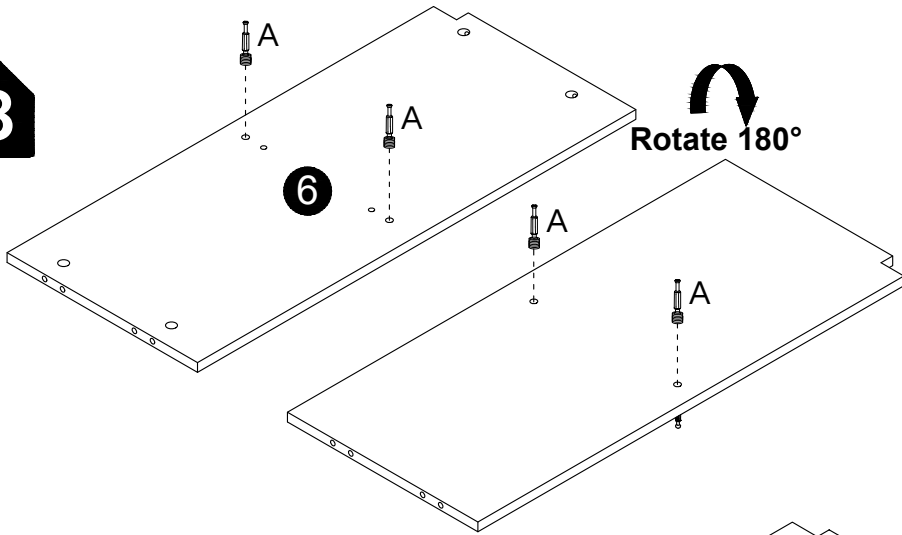
2



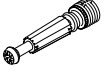
A	M
	
Ø6x40mm	
4 pcs	1 pc

O

3.5x14mm
1 pc

3



Rotate 180°

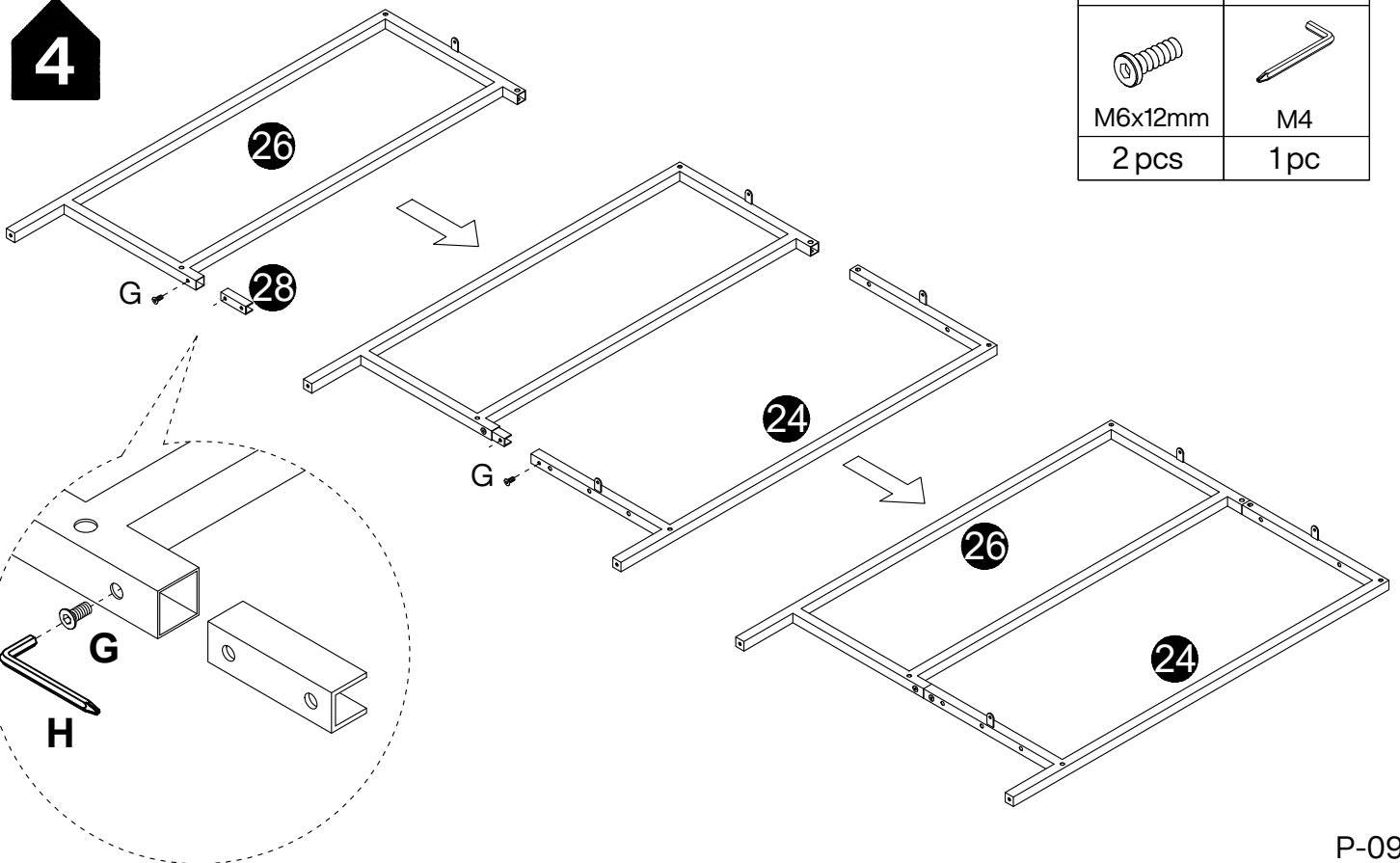
A

Ø6x40mm
8 pcs


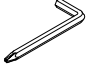
6

7


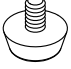
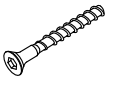
Rotate 180°

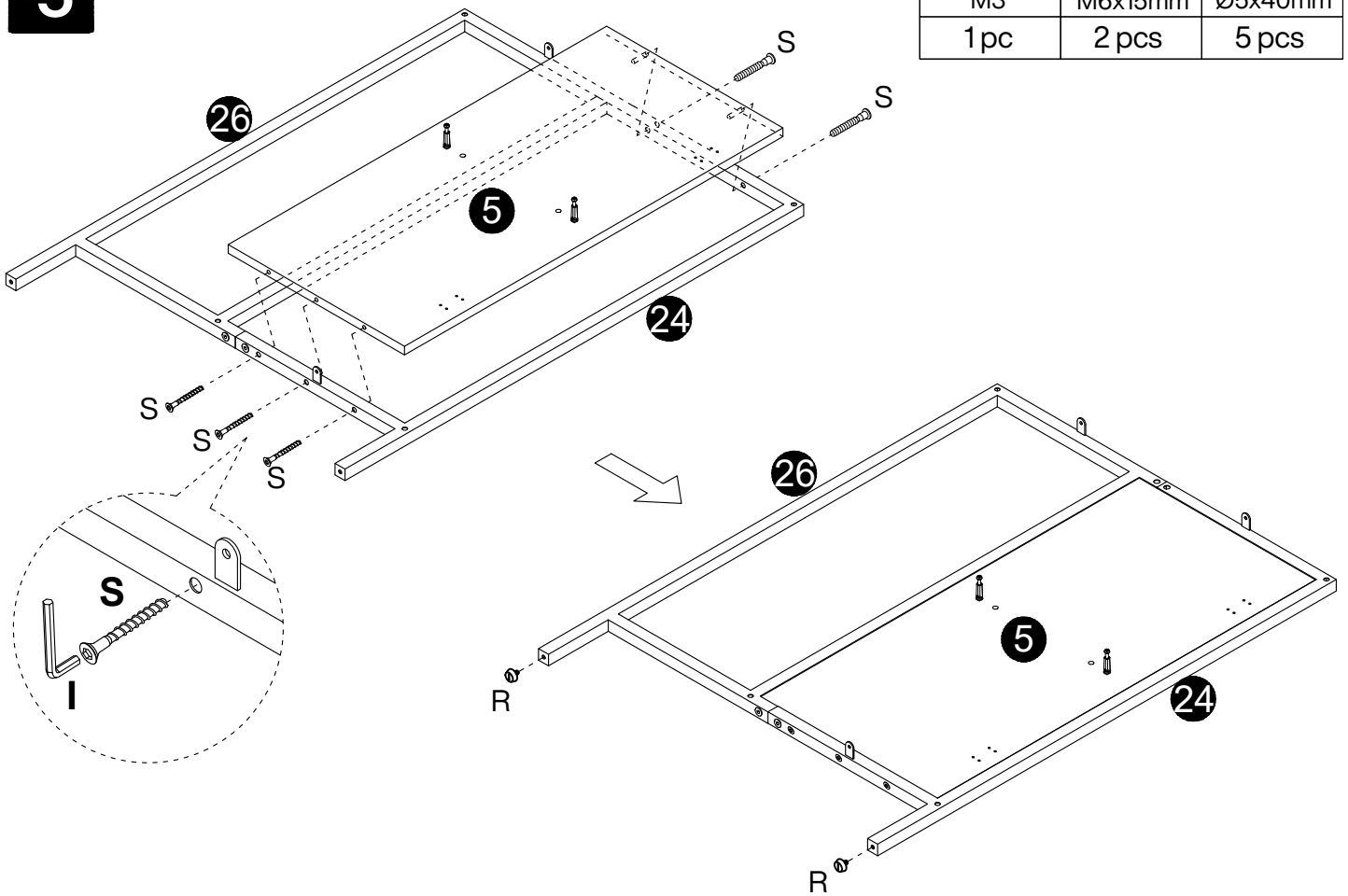
4




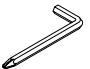
G	H
	
M6x12mm	M4
2 pcs	1 pc

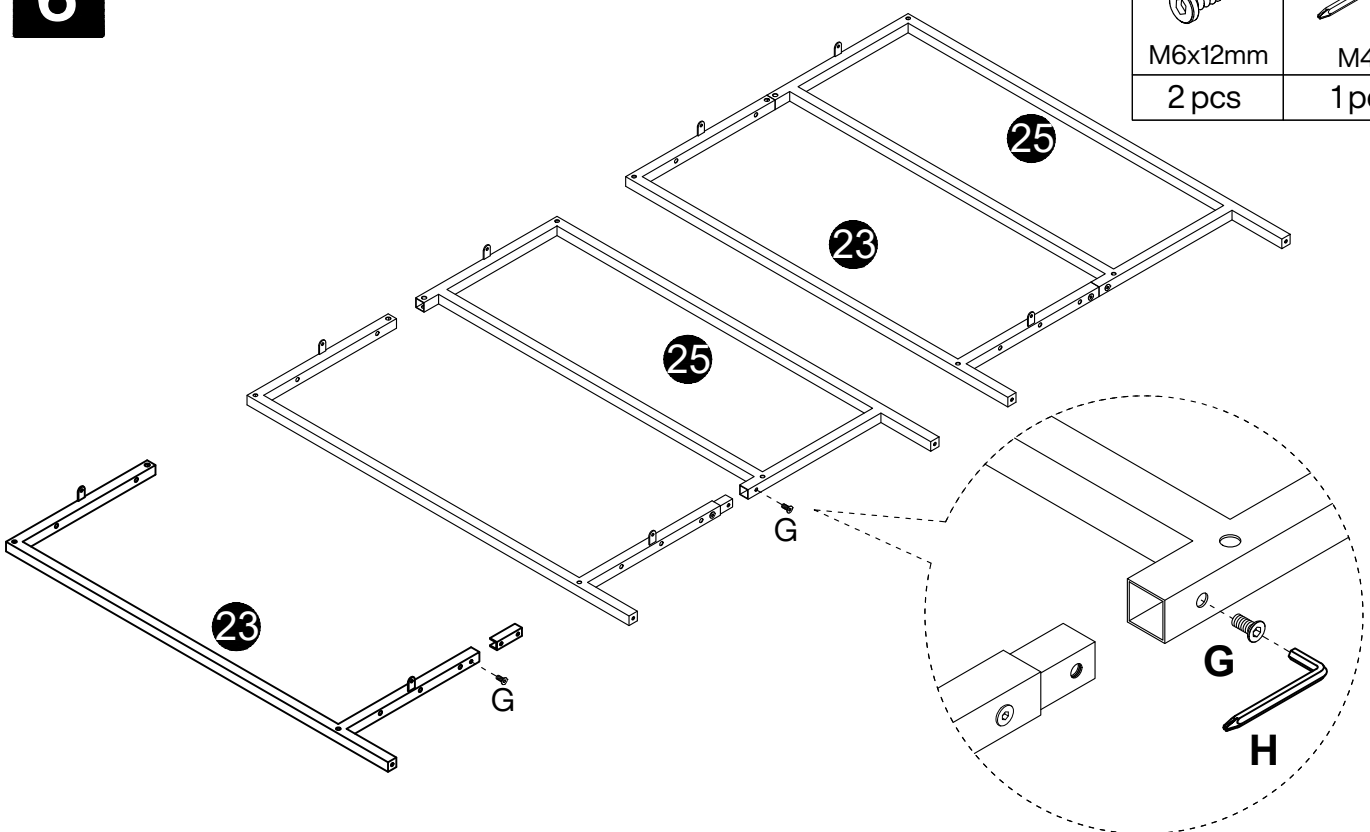
5

I	R	S
		
M3	M6x15mm	Ø5x40mm
1pc	2 pcs	5 pcs


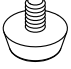
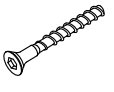


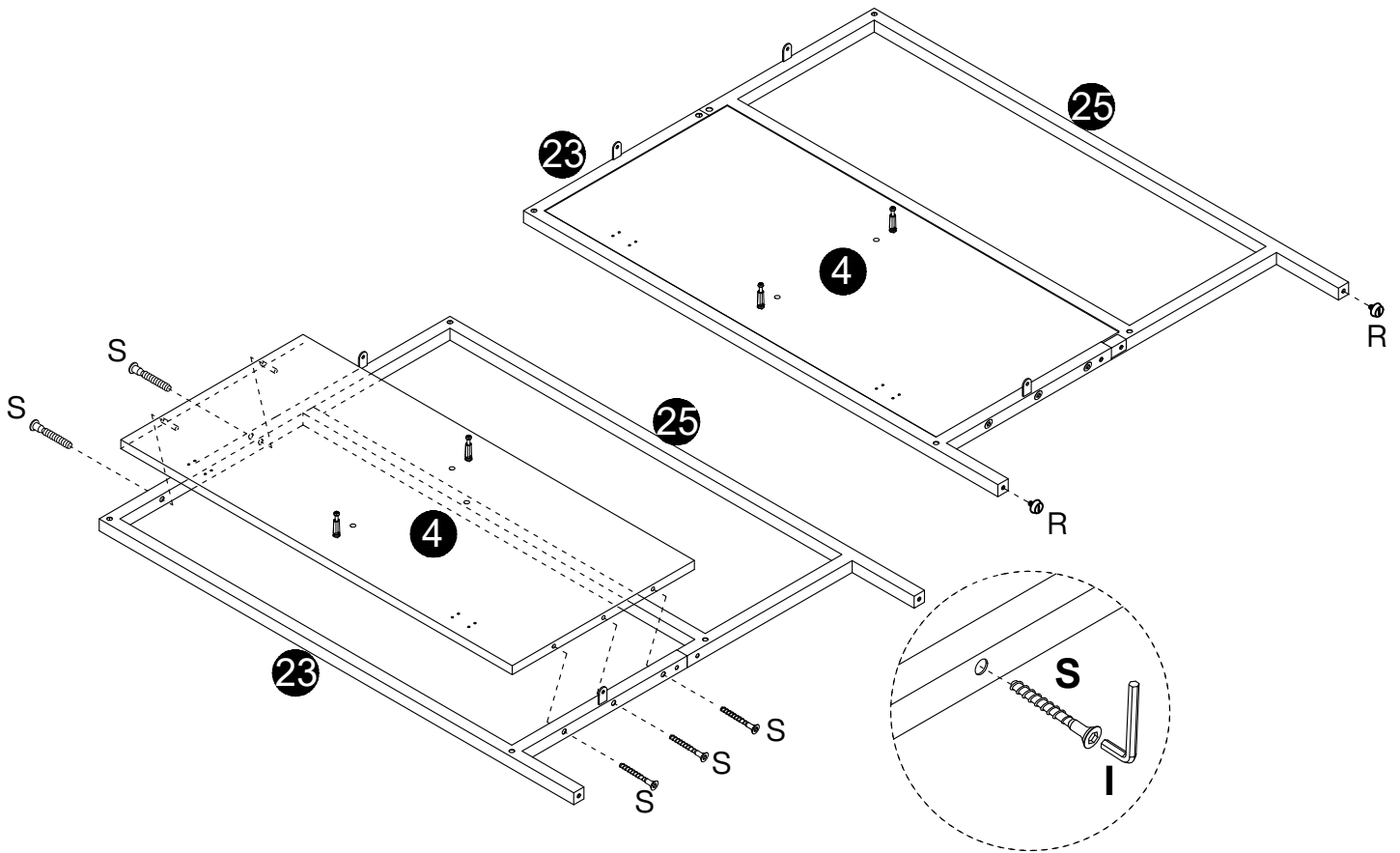
6

G	H
	
M6x12mm	M4
2 pcs	1pc



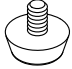


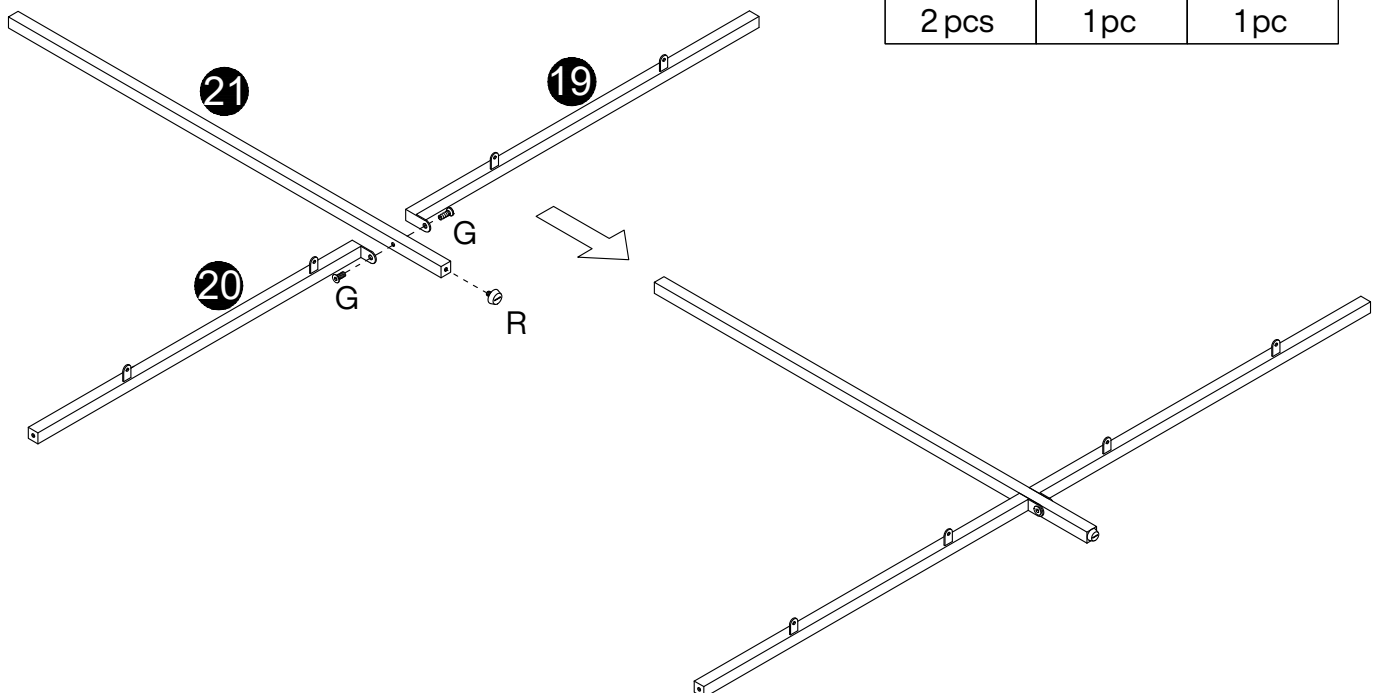
7

I	R	S
		
M3	M6x15mm	Ø5x40mm
1 pc	2 pcs	5 pcs

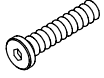
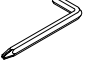


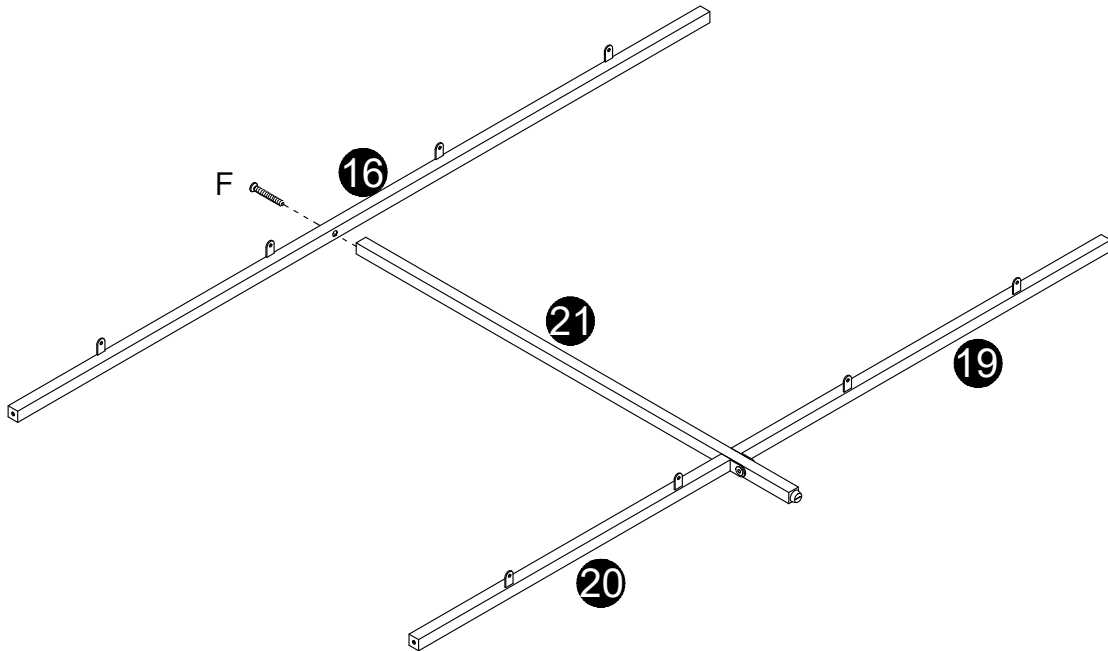
8

G	H	R
		
M6x12mm	M4	M6x15mm
2 pcs	1 pc	1 pc

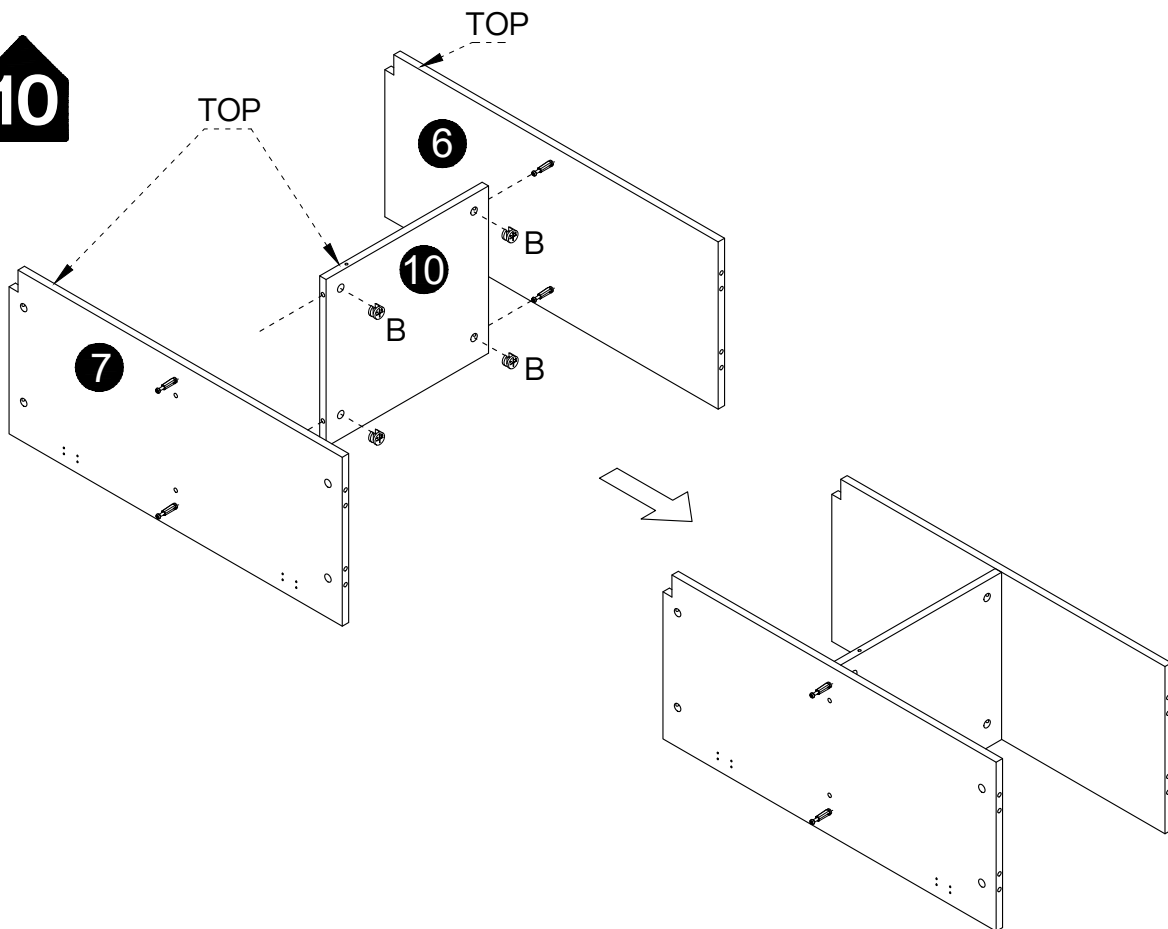



9

F	H
	
M6x35mm	M4
1pc	1pc

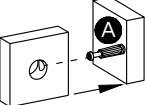


10

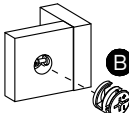


B

Ø15x12mm
4 pcs

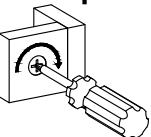
Step 1



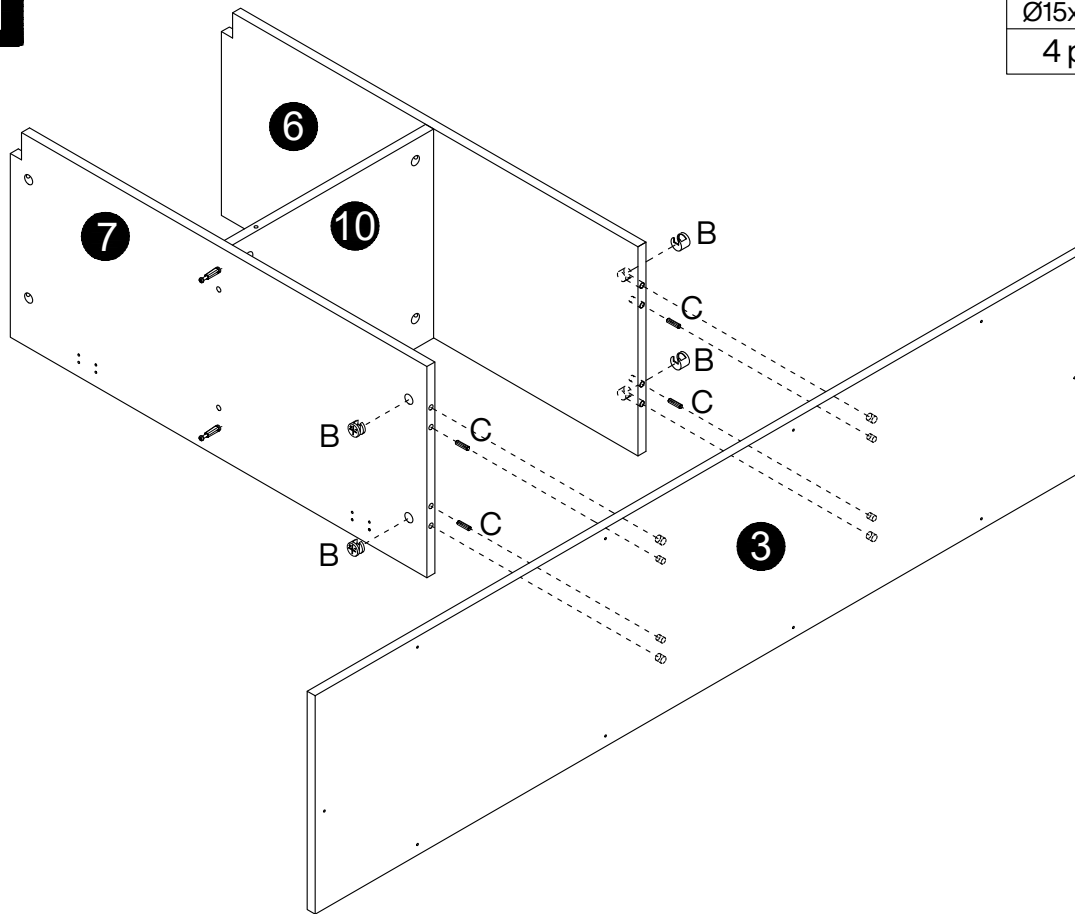
Step 2

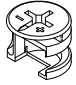
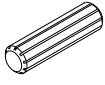


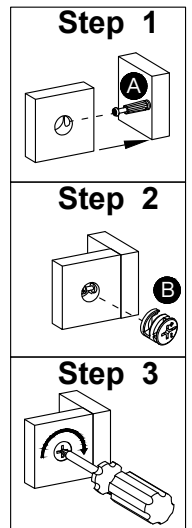
Step 3



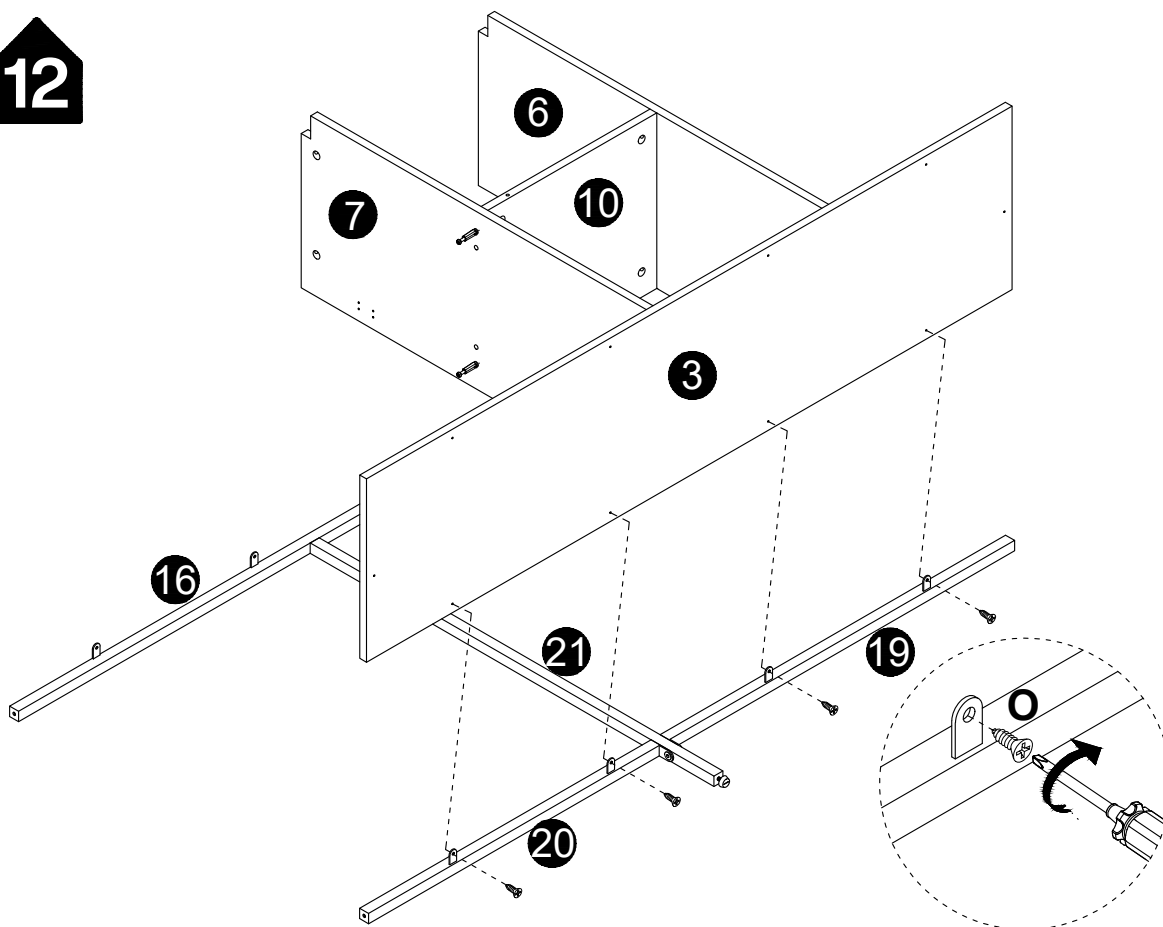
11




B	C
 Ø15x12mm	 Ø8x30mm
4 pcs	4 pcs

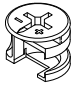
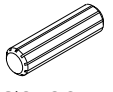


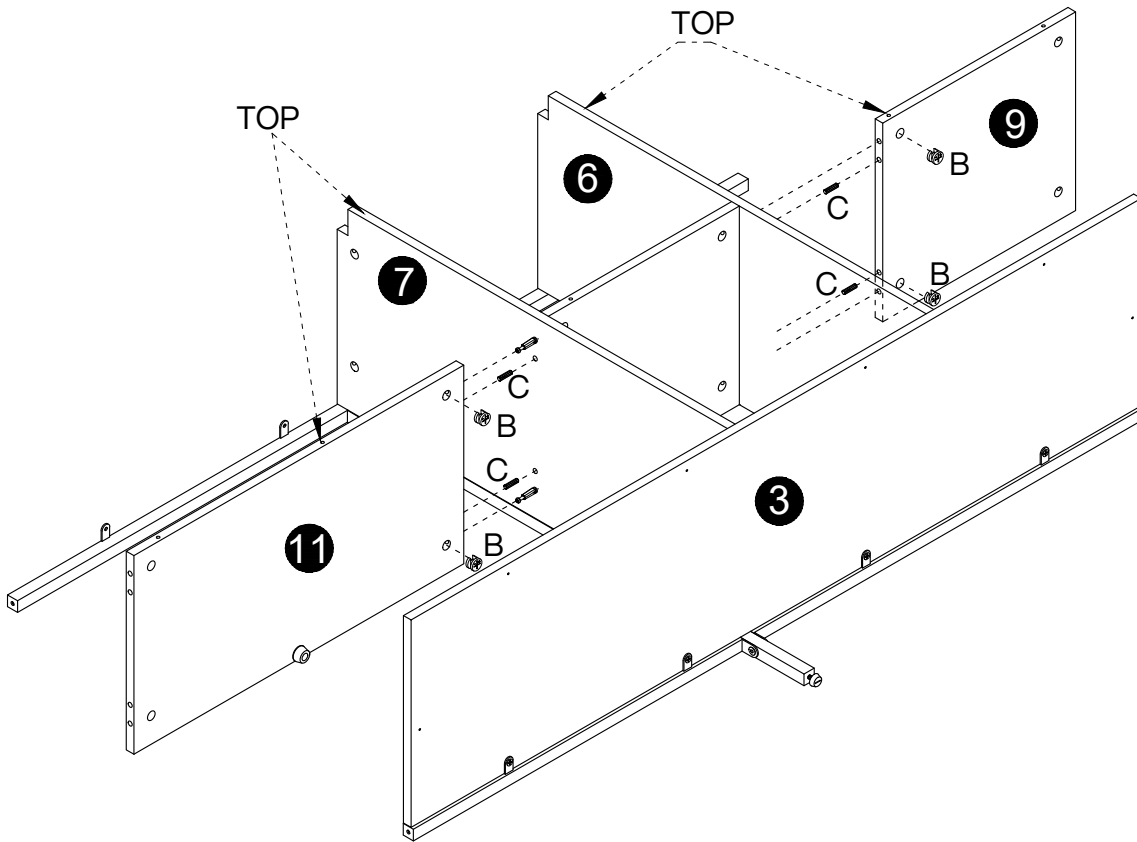
12



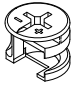
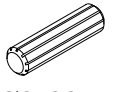


O
 3.5x14mm
4 pcs

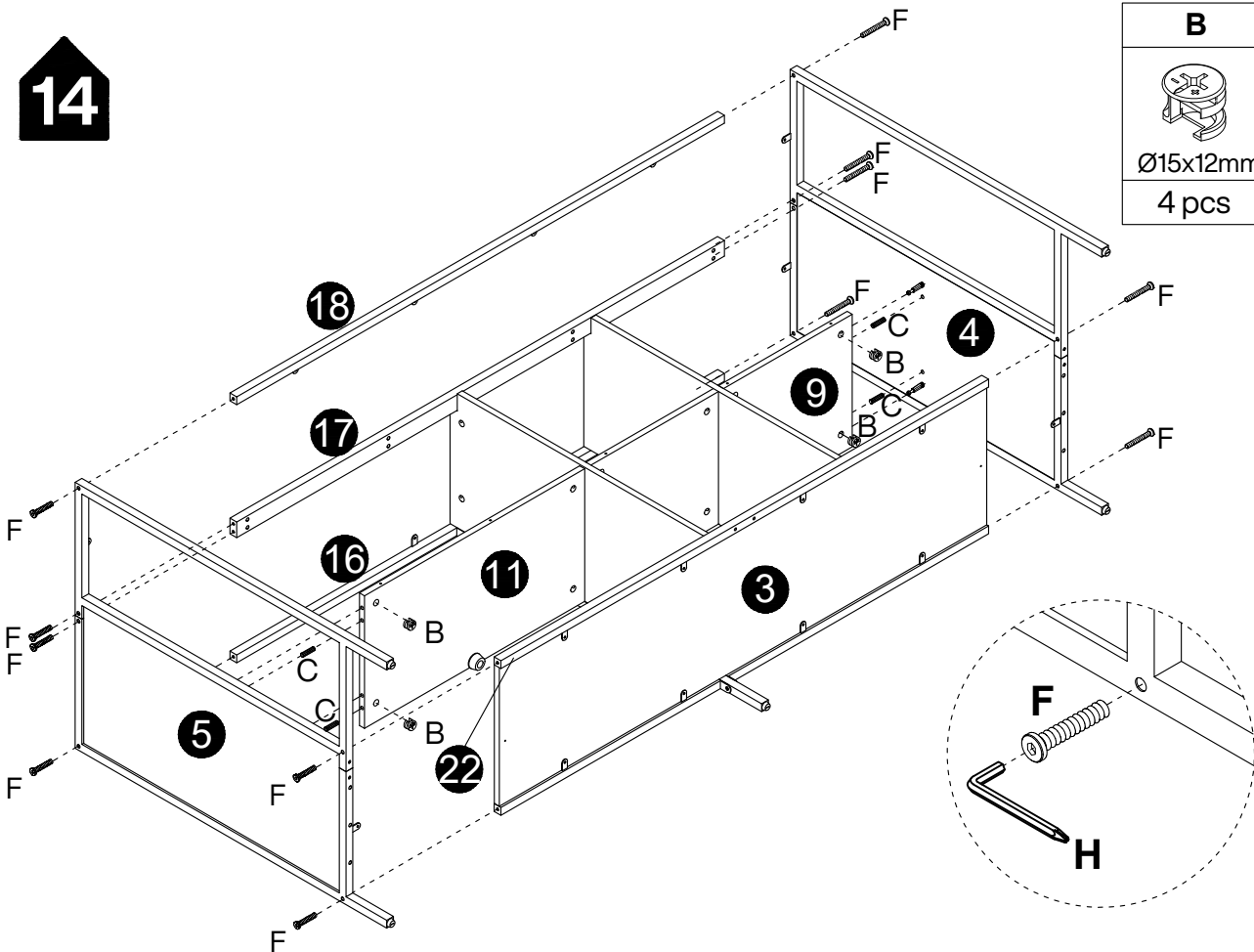
13

B	C
	
Ø15x12mm	Ø8x30mm
4 pcs	4 pcs



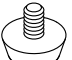


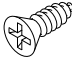
14

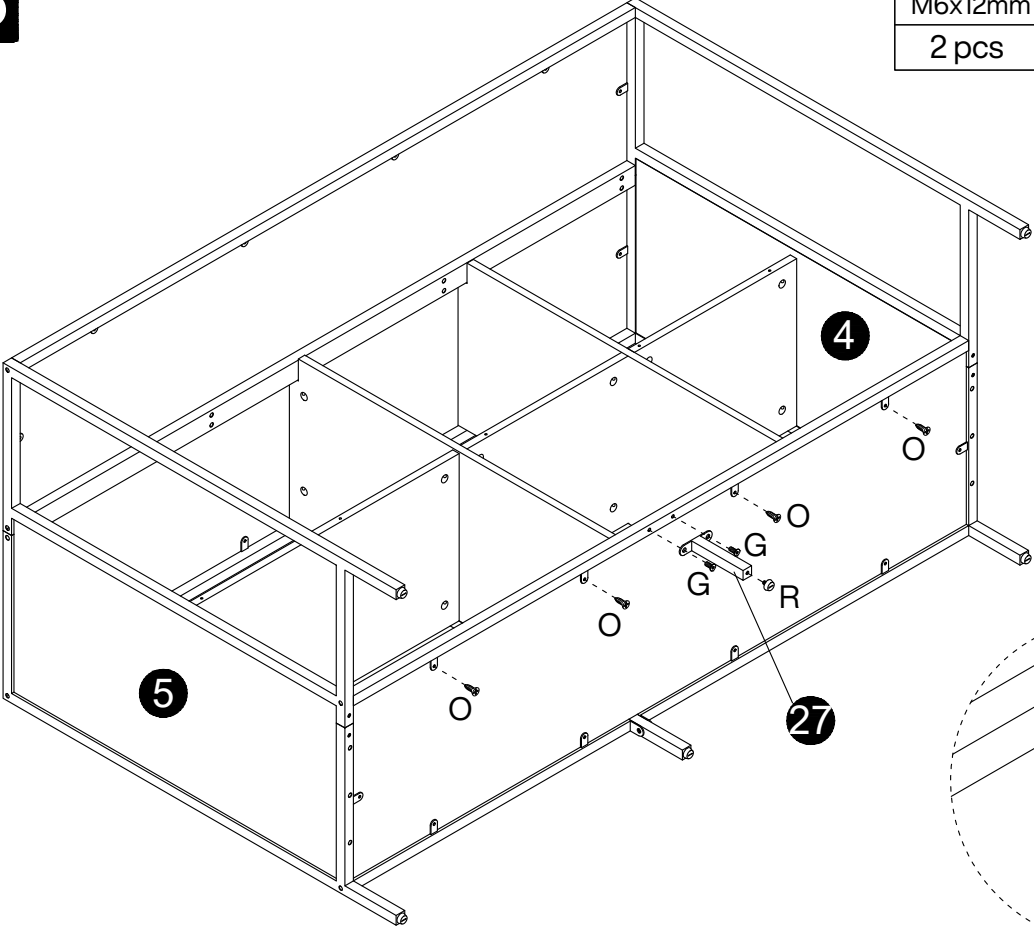
B	C
	
Ø15x12mm	Ø8x30mm
4 pcs	4 pcs
F	
	
M6x35mm	
12 pcs	
H	
	
M4	
1 pc	



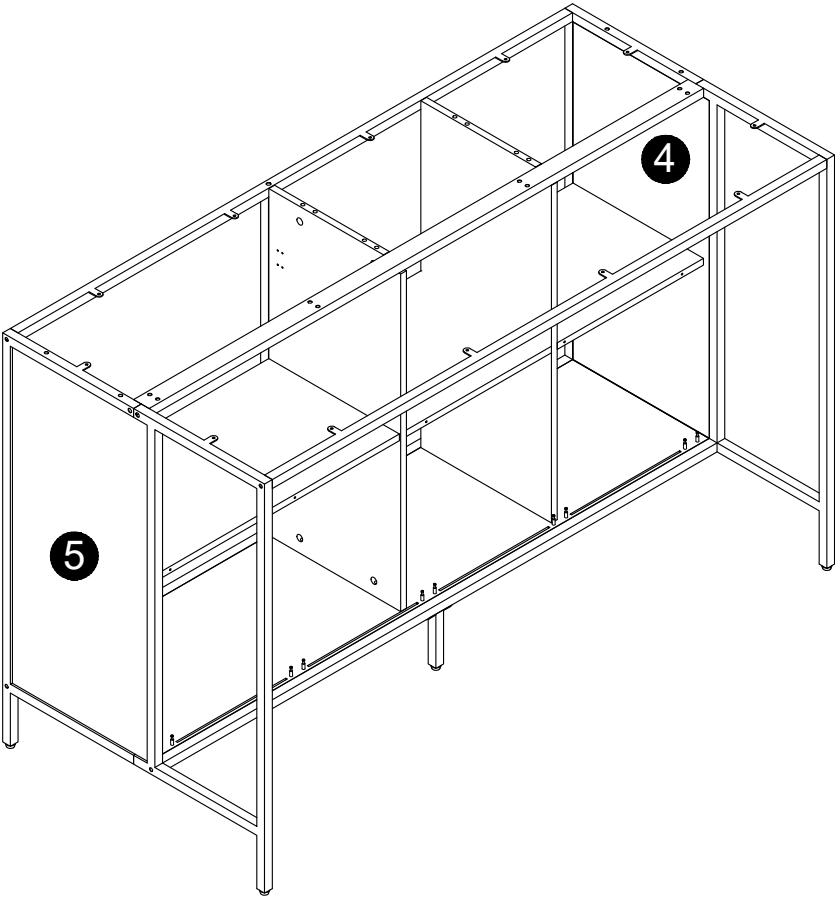
15

G	H	R
		
M6x12mm	M4	M6x15mm
2 pcs	1 pc	1 pc

O

3.5x14mm
4 pcs

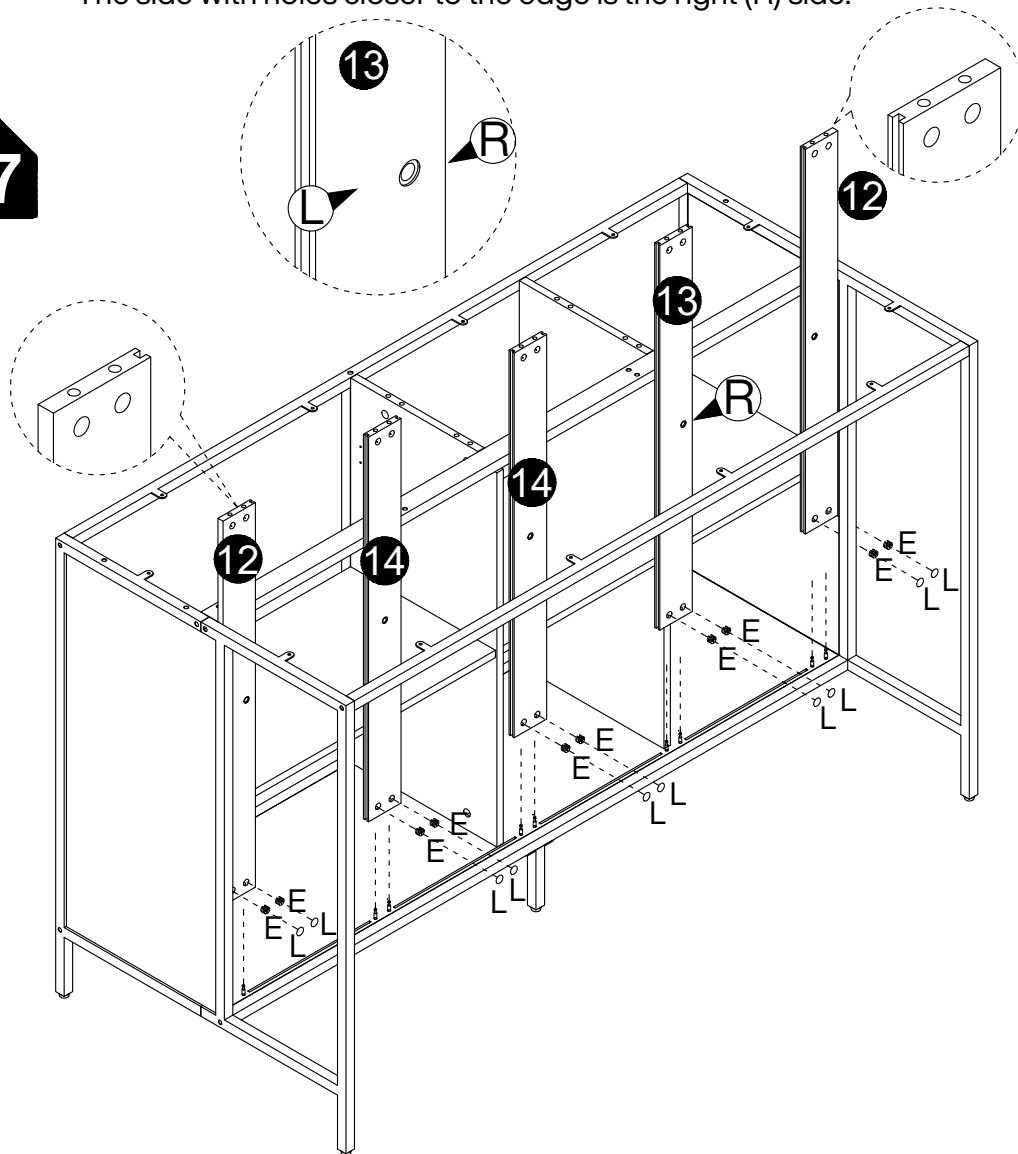




16

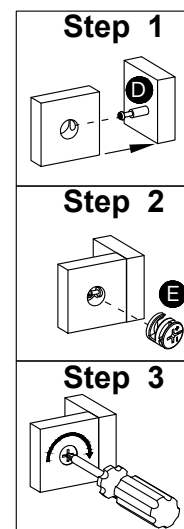


The side with holes closer to the edge is the right (R) side.

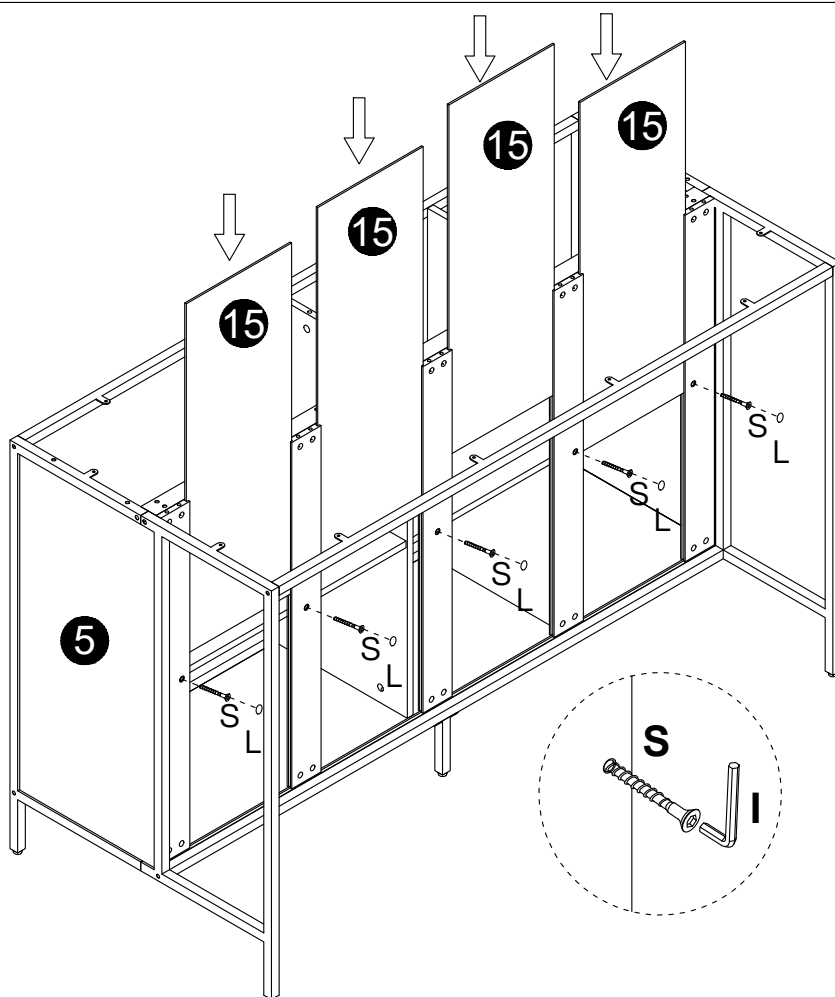
17





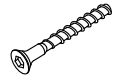
E	L
	
Ø12x10mm	Ø21
10 pcs	10 pcs

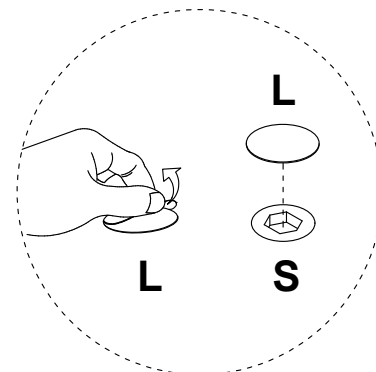
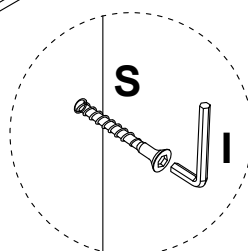


18

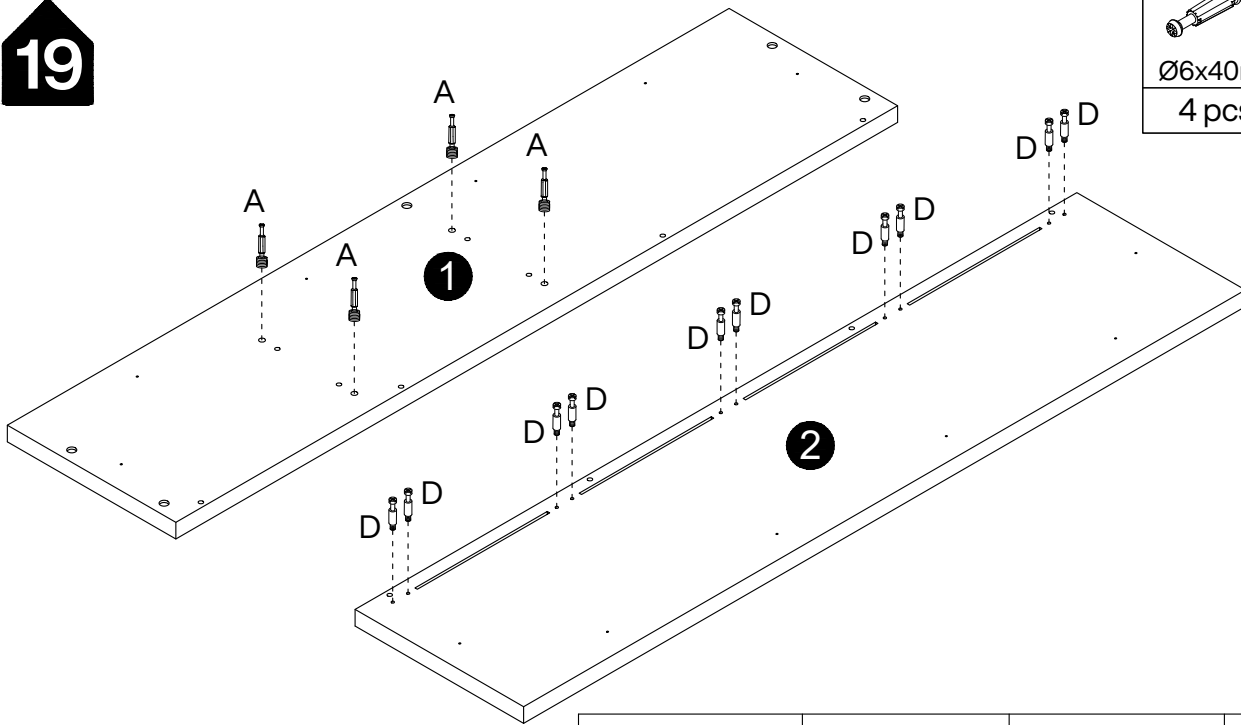




L	I
	
Ø21	M3
5 pcs	1 pc

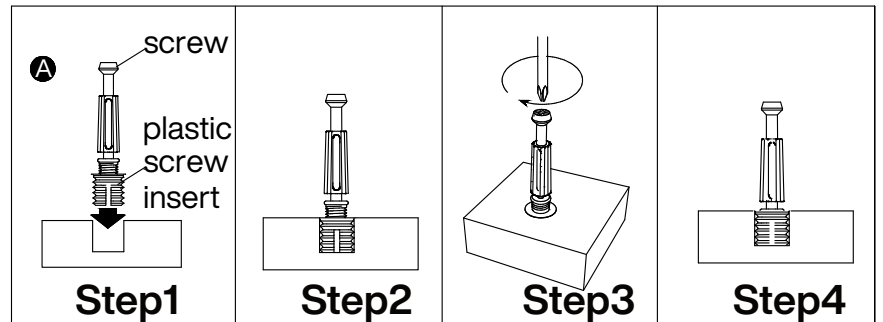
S

Ø5x40mm
5 pcs



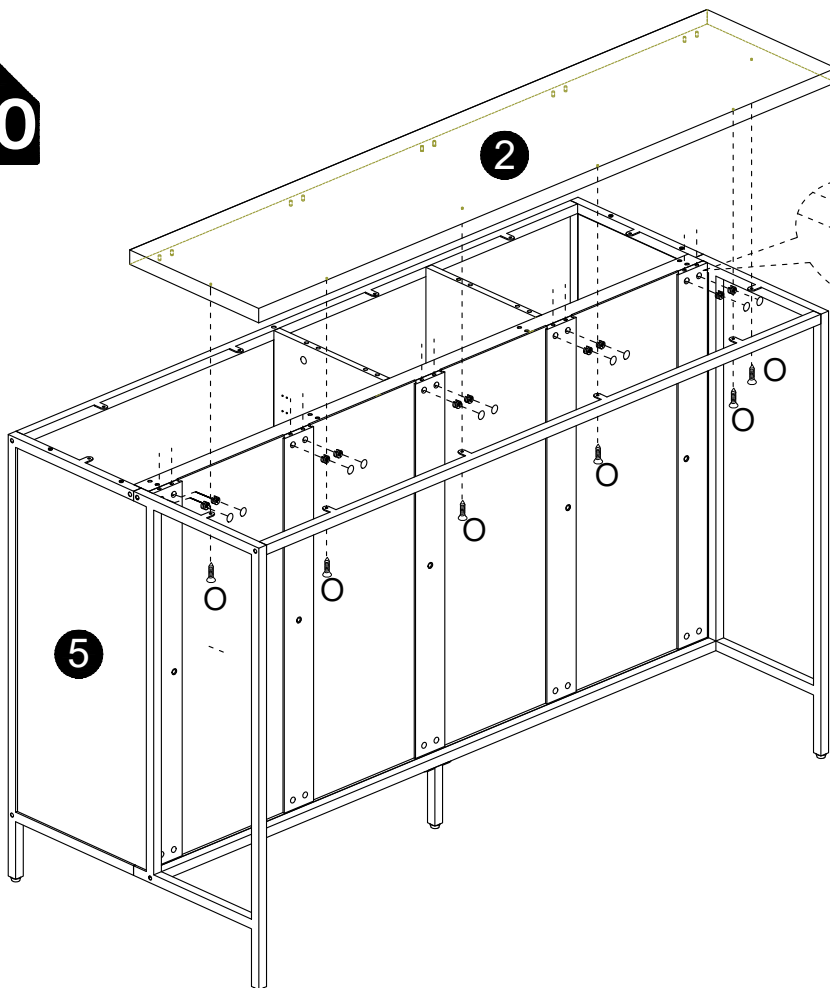
19





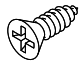
A	D
	
Ø6x40mm	Ø6x28mm
4 pcs	10 pcs

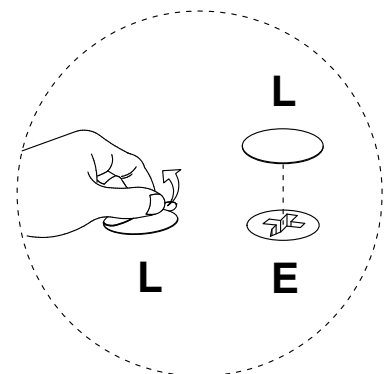


20

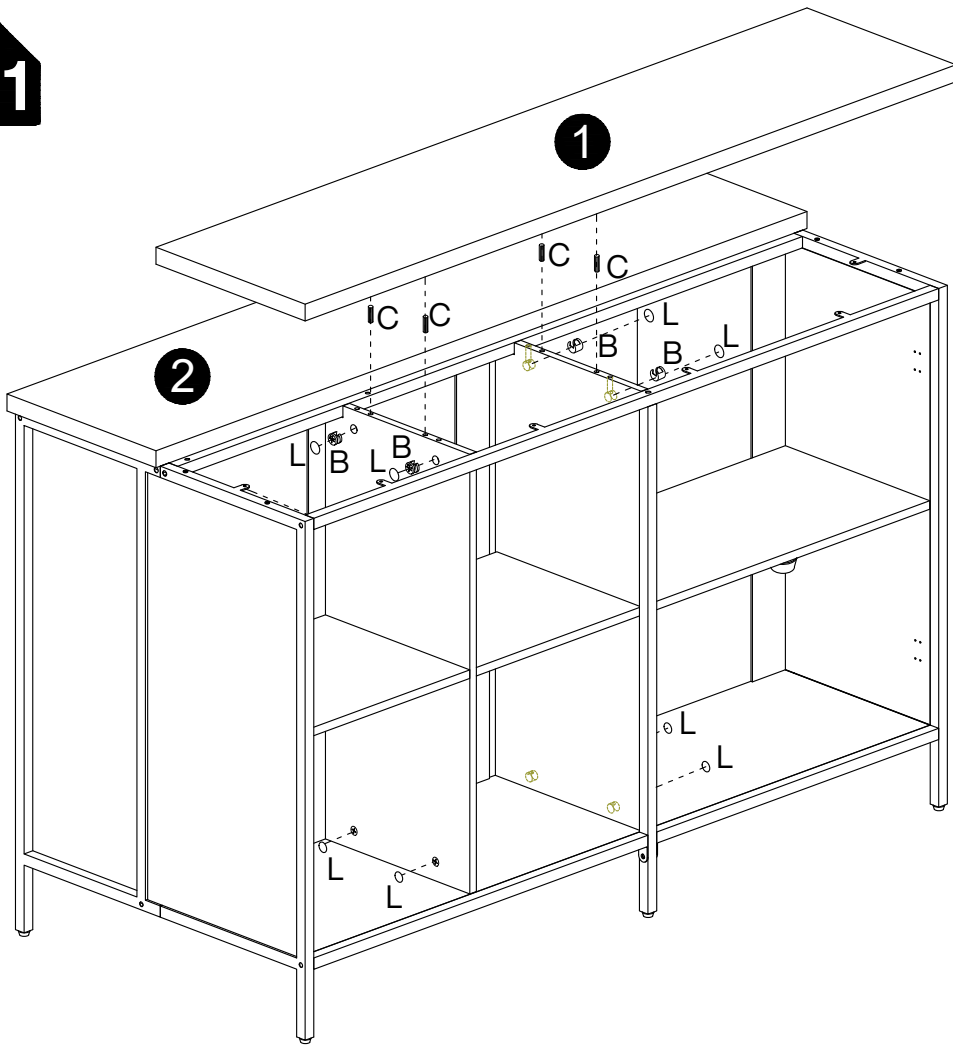


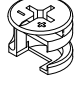
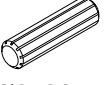
E	L
	
Ø12x10mm	Ø21
10 pcs	10 pcs


O

3.5x14mm
6 pcs



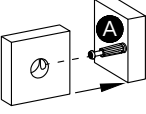
21



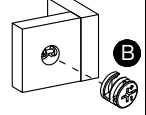
B	C
	
Ø15x12mm	Ø8x30mm
4 pcs	4 pcs

L

Ø21
8 pcs

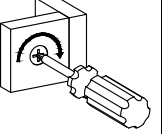
Step 1



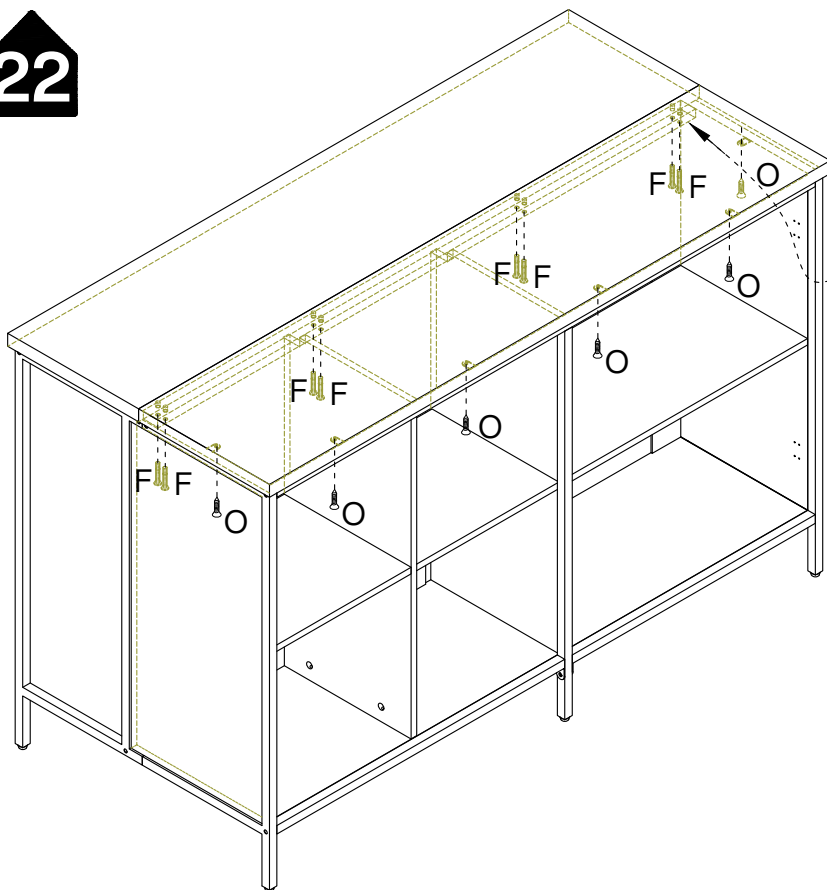
Step 2

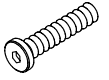

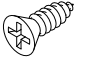


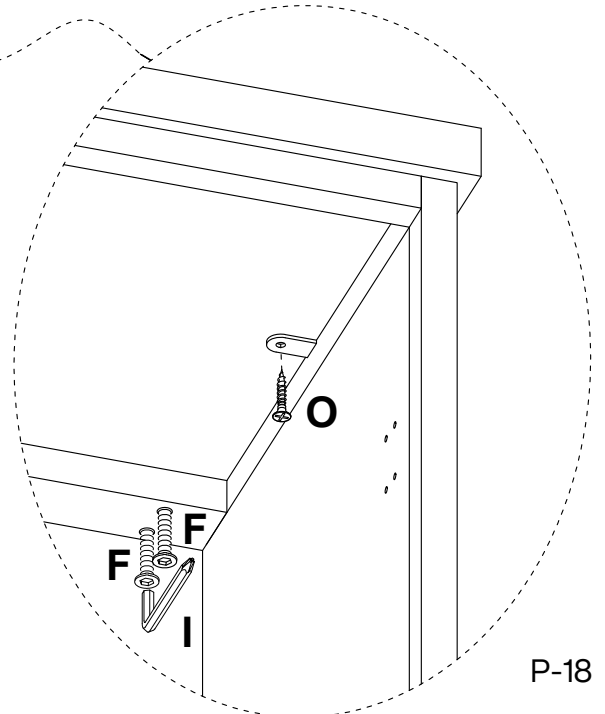
Step 3



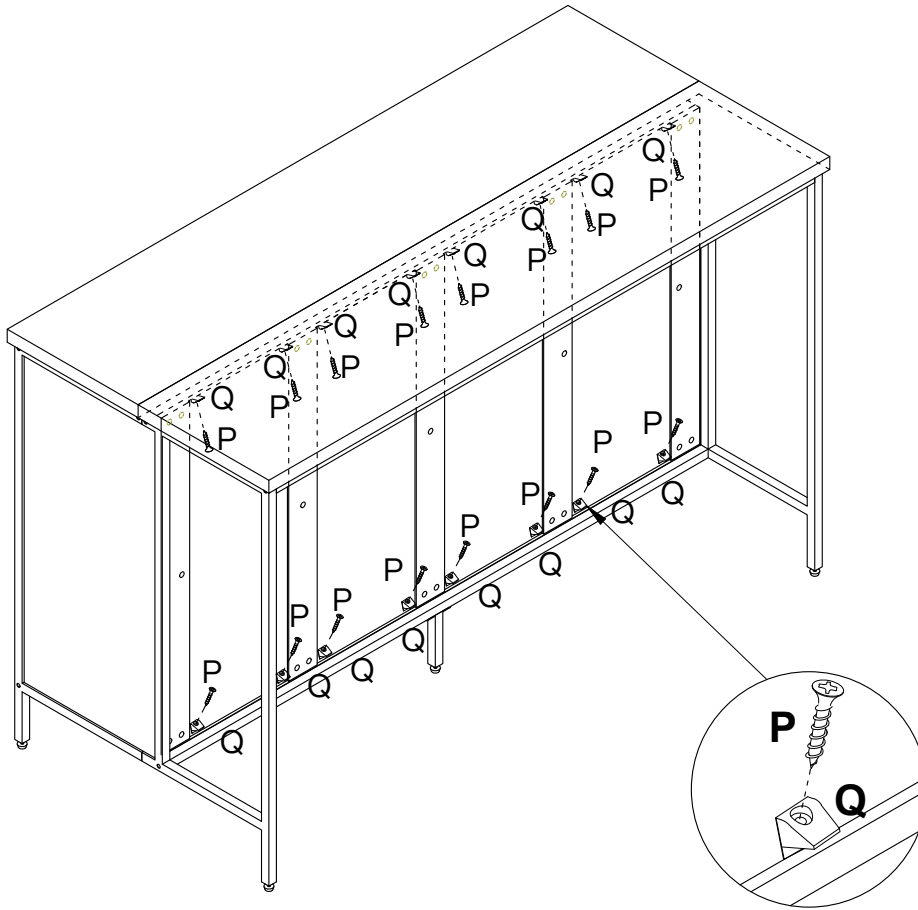
22


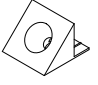


F	H	O
		
M6x35mm	M4	3.5x14mm
8 pcs	1 pc	6 pcs

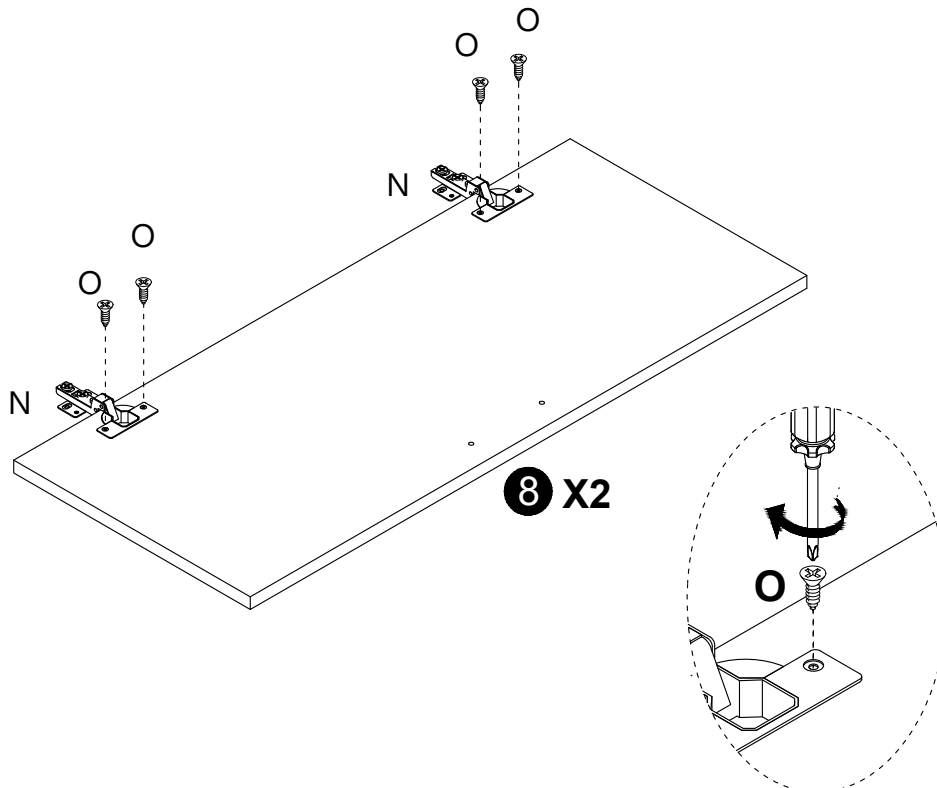


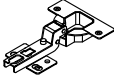

23



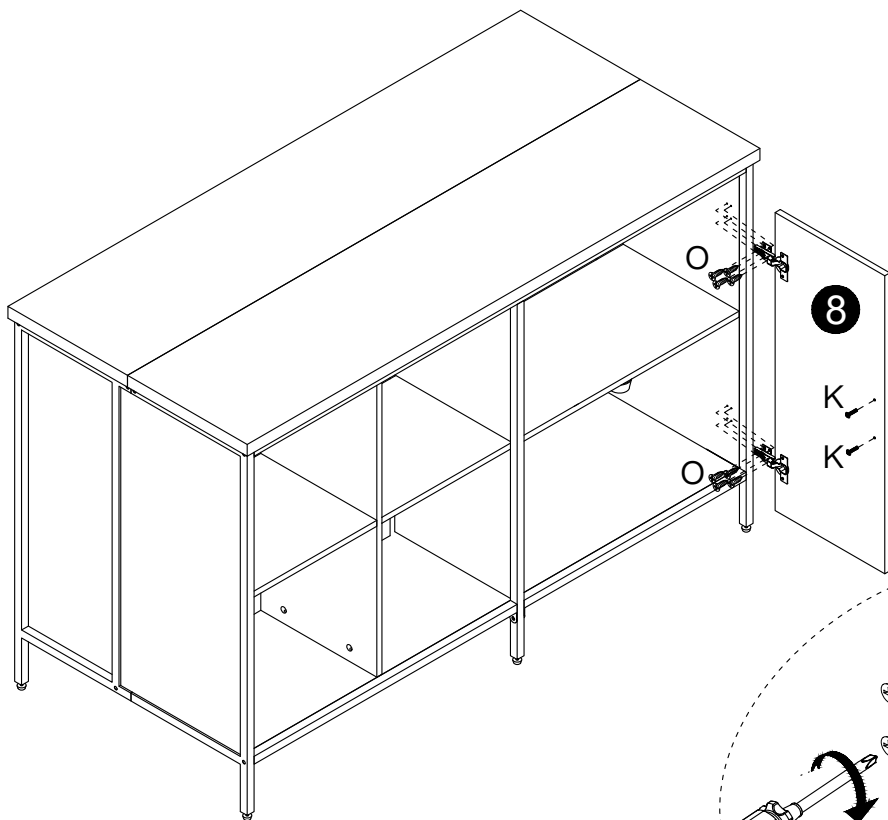
P	Q
 Ø3x18mm	
16 pcs	16 pcs

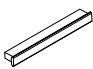

24



N	O
	 3.5x14mm
4 pcs	8 pcs

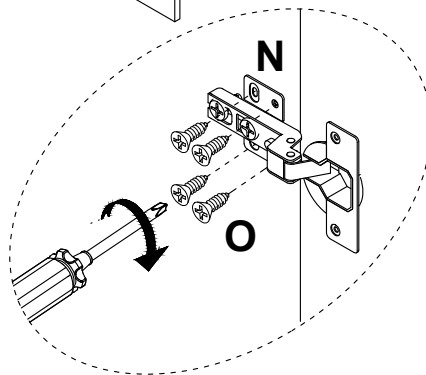
25



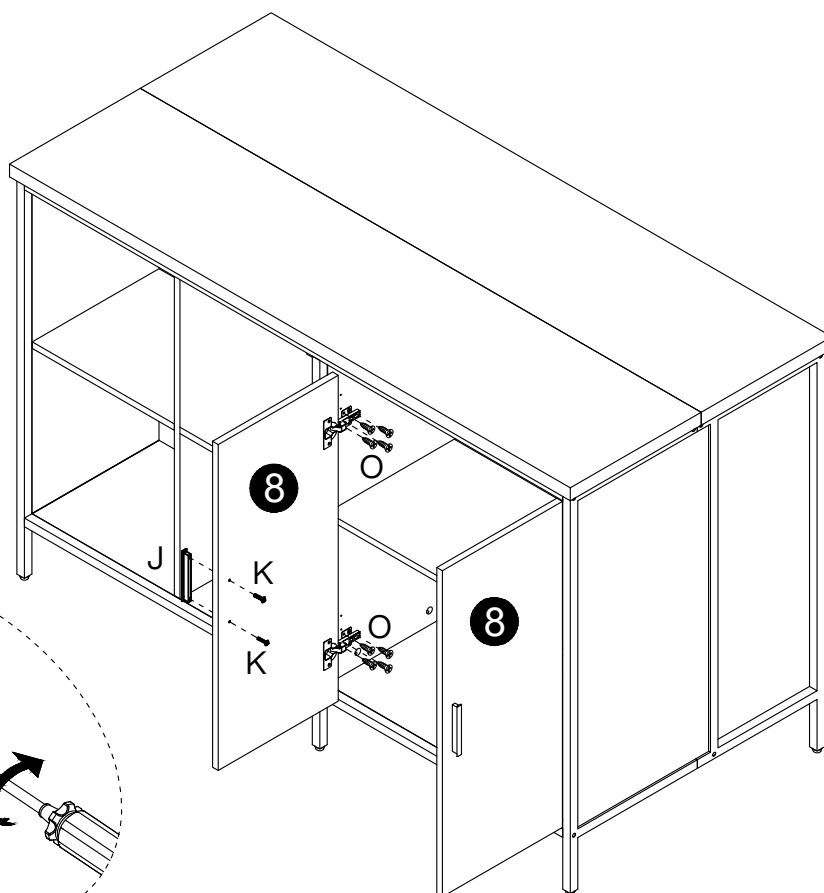
J	O
	
114x17x11mm	3.5x14mm
1 pc	8 pcs

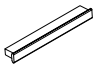

K

M4x18
2 pcs



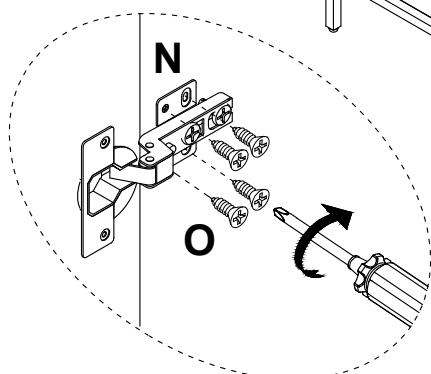
26



J	O
	
114x17x11mm	3.5x14mm
1 pc	8 pcs

K

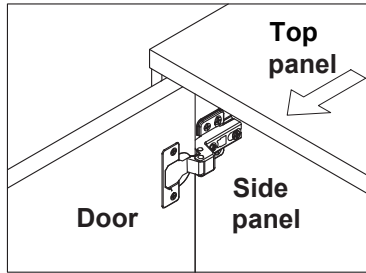
M4x18
2 pcs



TO ADJUST YOUR DOORS TO MAKE THE GAPS MORE EVEN (OPTIONAL).

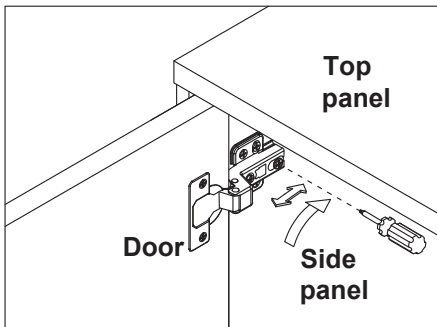
Step 1

Open the door.



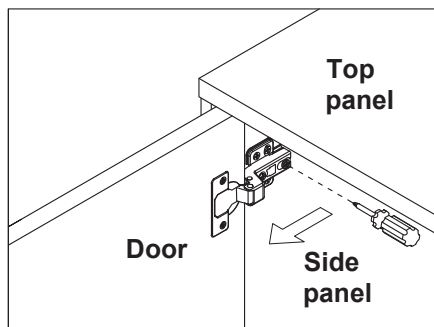
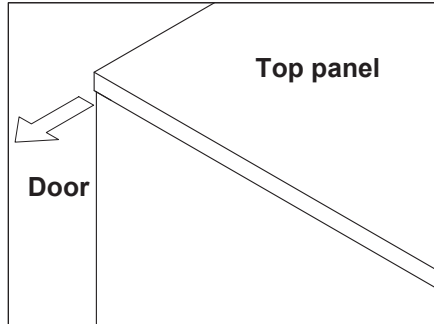
Step 2

Adjust the door panel to be flush with side panel and top panel edge.



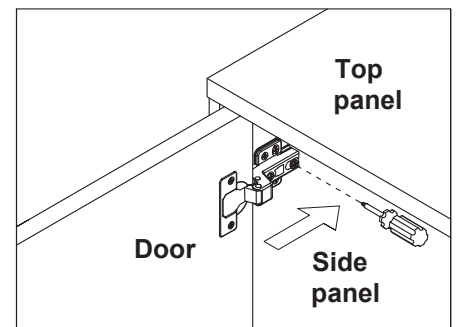
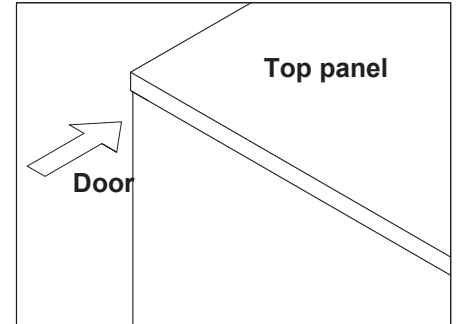
Loosen the screw indicated a little, adjust the hinge to right position (see step 2a & 2b), then tighten the screw.

Step 2a MOVE DOOR OUT



Pull the hinge forward a little.

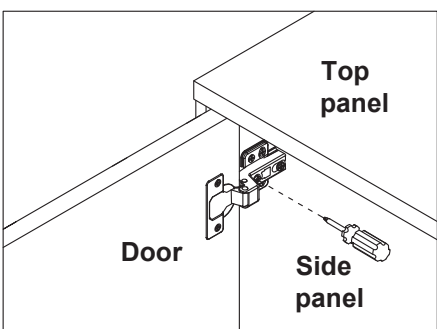
Step 2b MOVE DOOR IN



Push the hinge back a little.

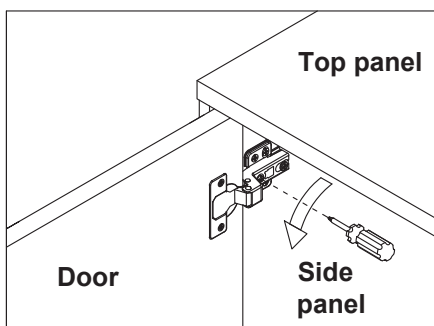
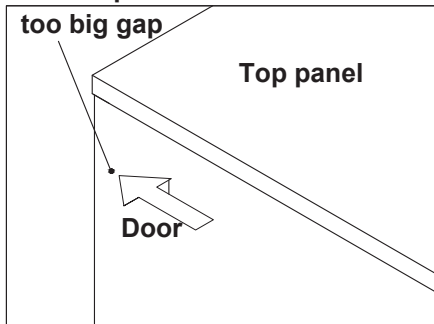
Step 3

Adjust the gap between door panel and side panel.



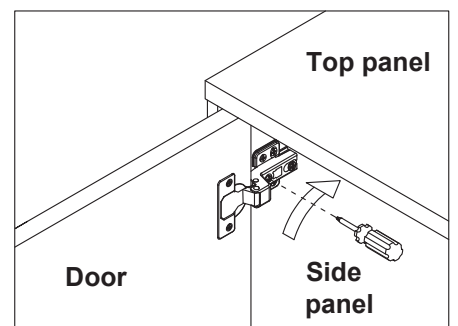
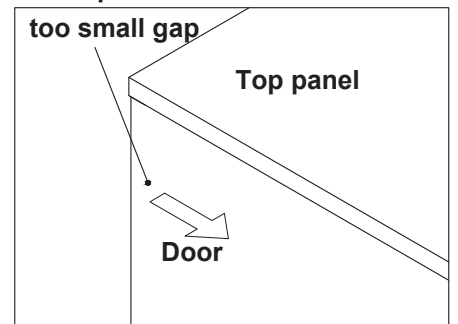
Loosen or tighten the screw indicated a little to adjust the gap between the door panels, adjust the hinge to right position (see step 3a & 3b).

Step 3a MOVE DOOR LEFT



Turn the screw clockwise a little as shown to make the gap small.

Step 3b MOVE DOOR RIGHT



Turn the screw counterclockwise a little as shown to make the gap big.

Thank you for your support!

